

## Technical data sheet

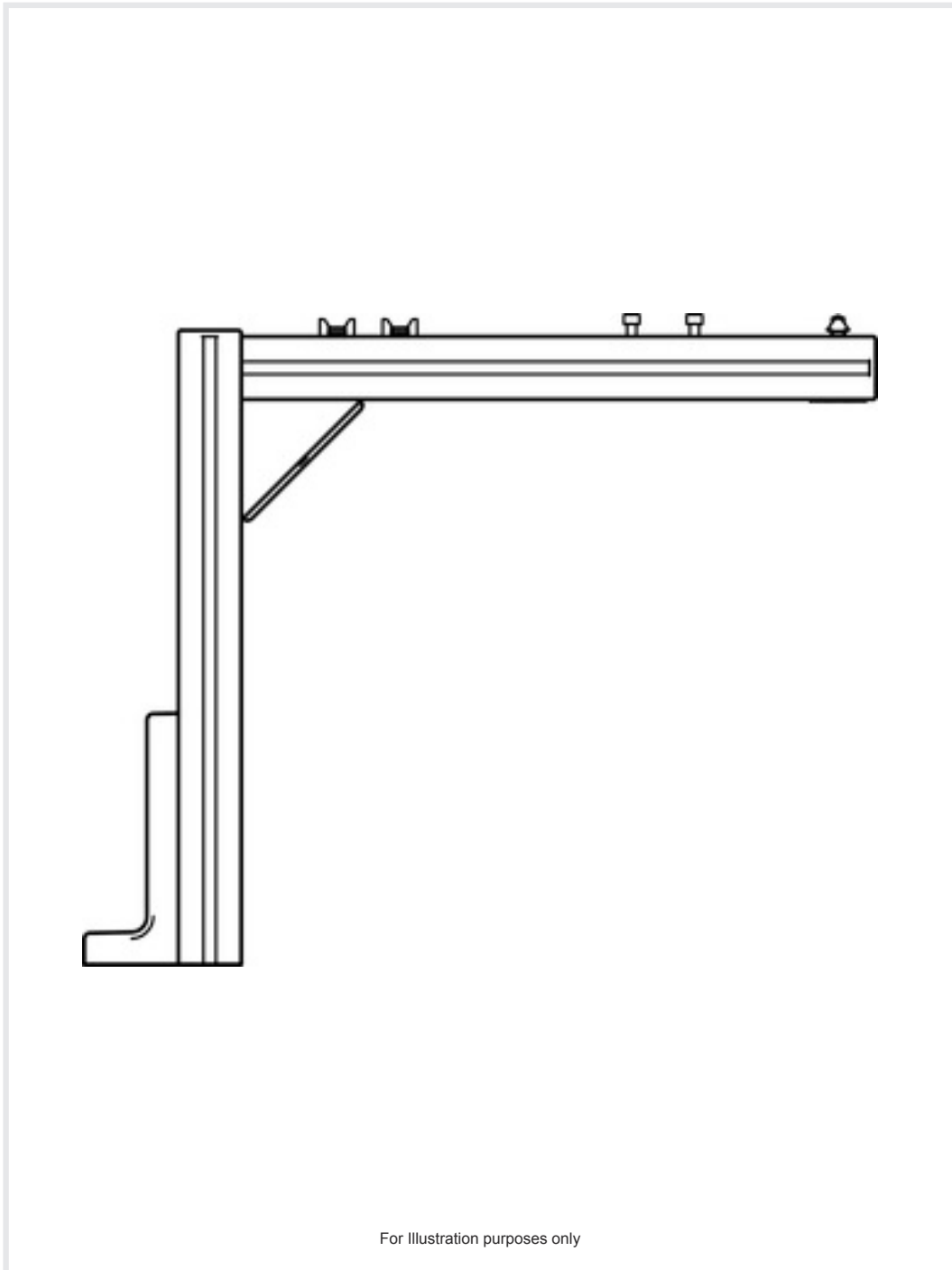
## Mounting device set

Part no.: 50143671

BT 70EM-MRSET

### Contents

- Technical data
- Dimensioned drawings



## Technical data

### Basic data

<b>Contains</b>	Mounting material
	Mounting profiles
<b>Suitable for product group</b>	Measuring light curtains
<b>Suitable for</b>	CMS 700i contour measurement system

### Mechanical data

<b>Standard designation, metal mounting device</b>	Aluminium, anodized
<b>Net weight</b>	2,975 g
<b>Design of mounting device</b>	Profile kit
<b>Type of fastening, at system</b>	Screw type / vertical
<b>Type of fastening, at device</b>	Groove mounting
<b>Type of mounting device</b>	Rigid
<b>Mounting device material</b>	Aluminum
<b>Shock absorber</b>	No

### Classification

<b>Customs tariff number</b>	83024900
<b>ECLASS 5.1.4</b>	27279202
<b>ECLASS 8.0</b>	27279202
<b>ECLASS 9.0</b>	27273701
<b>ECLASS 10.0</b>	27273701
<b>ECLASS 11.0</b>	27273701
<b>ECLASS 12.0</b>	27273701
<b>ECLASS 13.0</b>	27273701
<b>ECLASS 14.0</b>	27273701
<b>ECLASS 15.0</b>	27273701
<b>ECLASS 16.0</b>	27273701
<b>ETIM 5.0</b>	EC002498
<b>ETIM 6.0</b>	EC003015
<b>ETIM 7.0</b>	EC003015
<b>ETIM 8.0</b>	EC003015
<b>ETIM 9.0</b>	EC003015
<b>ETIM 10.0</b>	EC003015
<b>UNSPSC 26.08</b>	31242100

## Dimensioned drawings

All dimensions in millimeters

