

Technical data sheet

Safety transponder

Part no.: 63002050

RD800-SSCA-CB2-R

Contents

- Technical data
- Dimensioned drawings
- Electrical connection
- Circuit diagrams
- Diagrams
- Notes



For illustration purposes only



Technical data

Basic data

Series	RD800
Application	Individual use
Code type	Standard code

Characteristic parameters

SIL	Up to 3, IEC 61508
SILCL	Up to 3, IEC/EN 62061
Performance Level (PL)	Up to and including e, EN ISO 13849-1
MTTF _d	4,077 years, EN ISO 13849-1
PFH _D	1.45E-09 per hour
Mission time T _M	20 years, EN ISO 13849-1
Category	Up to and including 4, EN ISO 13849
DC	High

Electrical data

Protective circuit	Cross circuit protection Short circuit protected
Pulse resistance	1,500 V
Usage category at DC 12	Ue 24 V, Ie 0.25 A, EN 60947-5-1

Performance data

Supply voltage U _B	24 V, DC, -15 ... 10 %
Current consumption, max.	250 mA
Power consumption, max.	1 W
Nominal current, min.	0.5 mA
Overvoltage category	III
Fuse, external	1 A
Fuse, internal	0.75 A polyfuse (O1 + O2 + O3)
Rated insulation voltage	32 V DC
Conventional thermal current, max.	0.25 A

Outputs

Number of safety-related switching outputs (OSSDs)	2 Piece(s)
Number of digital switching outputs	1 Piece(s)
Switching power, max.	6 W

Safety-related switching outputs

Type	Safety-related switching output OSSD
Switching voltage, type.	24 V
Voltage type	DC
Test-pulse length, max.	0.3 ms
Output current, max.	250 mA
Capacitance, max. between an output and GND	200 nF
Capacitance, max. between two outputs	200 nF

Safety-related switching output 1

Switching element	Transistor, PNP
-------------------	-----------------

Safety-related switching output 2

Switching element	Transistor, PNP
-------------------	-----------------

Switching outputs

Type	Digital switching output
Switching voltage, type.	24 V
Voltage type	DC
Switching current, max.	100 mA

Switching output 1

Switching element	Transistor, PNP
Function	Signal output

Time behavior

Reaction time after removing the actuator, min.	80 ms
Reaction time after removing the actuator, max.	150 ms
Reaction time after shutdown, input, min.	7 ms
Reaction time after shutdown, input, max.	12 ms

Connection

Number of connections	1 Piece(s)
-----------------------	------------

Connection 1

Function	Connection with PLC Signal OUT Voltage supply
Type of connection	Cable
Cable length	2,000 mm
Connector	On right side
Sheathing material	PVC
Cable color	Black
Number of conductors	5 -wire

Cable properties

Length of connection cable, max.	50 m
----------------------------------	------

Mechanical data

Design	Cubic
Dimension (W x H x L)	25 mm x 18 mm x 72 mm
Housing material	Plastic
Plastic housing	PA 66
Net weight	150 g
Housing color	Black
Type of fastening	Through-hole mounting
Switching hysteresis, max.	2.4 mm
Assured cut-out distance (Sar), min.	16 mm
Assured cut-in distance (Sao), max.	10 mm
Nominal switch-off distance, max.	14 mm
Nominal operating distance, max.	12 mm
Distance between two systems (sensor, actuator), min.	50 mm
Repeatability, max.	1.2 mm
Screw tightening torque	1 N·m

Operation and display

Type of display	LED
Number of LEDs	4 Piece(s)

Environmental data

Ambient temperature, operation	-25 ... 70 °C
Ambient temperature, storage	-25 ... 85 °C
Degree of contamination	3, EN 60947-1

Technical data

Certifications

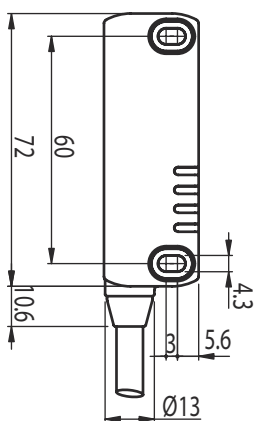
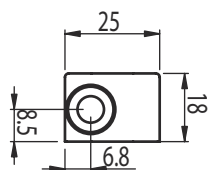
Degree of protection	IP 67
	IP 69K
Approvals	c UL US
	TÜV Süd
Test procedure for shock in accordance with standard	EN 60068-2-27
Test procedure for vibration in accordance with standard	EN 60068-2-6

Classification

Customs tariff number	85369095
ECLASS 5.1.4	27272403
ECLASS 8.0	27272403
ECLASS 9.0	27272403
ECLASS 10.0	27272403
ECLASS 11.0	27272403
ECLASS 12.0	27274601
ECLASS 13.0	27274601
ECLASS 14.0	27274601
ECLASS 15.0	27274601
ECLASS 16.0	27274601
ETIM 5.0	EC001829
ETIM 6.0	EC001829
ETIM 7.0	EC001829
ETIM 8.0	EC001829
ETIM 9.0	EC001829
ETIM 10.0	EC001829
UNSPSC 26.08	39122205

Dimensioned drawings

All dimensions in millimeters

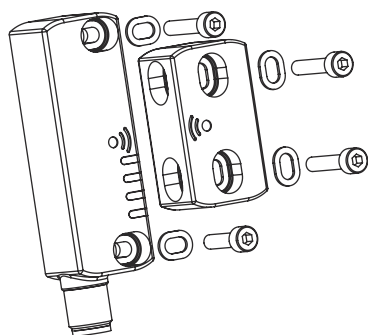


Dimensioned drawings

Minimum distance in mm



Fastening



Electrical connection

Connection 1

Function	Connection with PLC Signal OUT Voltage supply
Type of connection	Cable
Cable length	2,000 mm
Connector	On right side
Sheathing material	PVC
Cable color	Black
Number of conductors	5 -wire

Conductor color	Conductor assignment
Brown	A1
Red / White	OS1
Blue	A2
Black / White	OS2
Black	O3

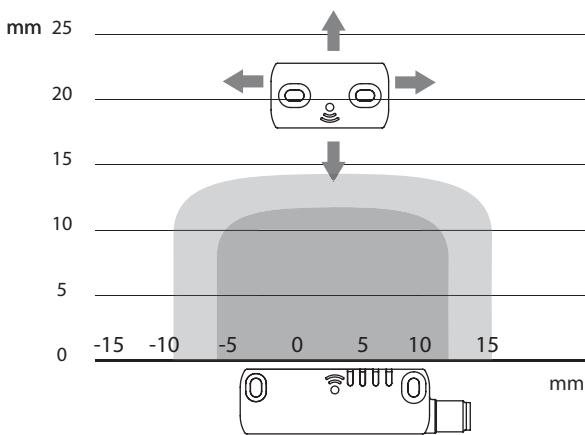
Circuit diagrams

Internal circuit diagram



Diagrams

Safety-related distances



Diagrams

Approach directions



Notes



Observe intended use!



- ⌘ The product may only be put into operation by competent persons.
- ⌘ Only use the product in accordance with its intended use.