

## Technical data sheet

## Tower light element

Part no.: 50135457

A7-V1-DS-R-T

### Contents

- Technical data
- Dimensioned drawings
- Notes
- Accessories



For illustration purposes only



## Technical data

### Basic data

Series	A7
Suitable for	Tower light elements of the A7 – Advanced Series
Type of signaling	Optical

### Electrical data

Life expectancy	> 100,000 h
<b>Performance data</b>	
Supply voltage $U_B$	24 V, DC, 10 %
Current consumption, max.	50 mA

### Connection

Notes	Protected against accidental interchanges: Actuation of the colors is performed via PINS, thus, the calotte position can be freely selected (see operating instructions). The individual colors are actuated via VCC (PNP)
-------	---

### Mechanical data

Design	Cylindrical
Dimension ( $\varnothing$ x L)	70 mm x 50 mm
Housing material	Plastic
Net weight	109 g
Type of fastening	Bayonet system
Type of illuminant	LED/24V
Signal image	Continuous light
Lens color	Red
Angle of radiation	360°

### Environmental data

Ambient temperature, operation	-10 ... 60 °C
--------------------------------	---------------

### Certifications

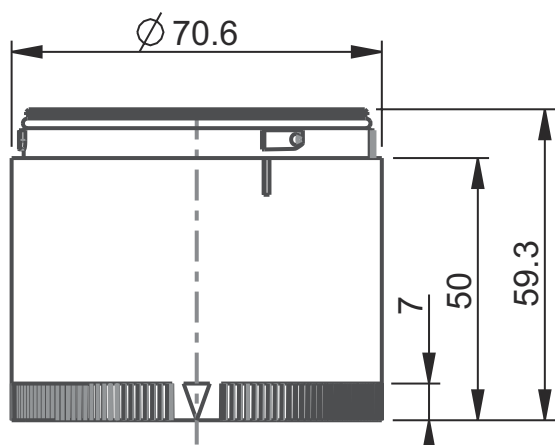
Degree of protection	IP 66
Approvals	CE CSA

### Classification

Customs tariff number	85318070
ECLASS 5.1.4	27371220
ECLASS 8.0	27371220
ECLASS 9.0	27371220
ECLASS 10.0	27371220
ECLASS 11.0	27371220
ECLASS 12.0	27371220
ECLASS 13.0	27371220
ECLASS 14.0	27371220
ECLASS 15.0	27371220
ECLASS 16.0	27371220
ETIM 5.0	EC000232
ETIM 6.0	EC000232
ETIM 7.0	EC000232
ETIM 8.0	EC000232
ETIM 9.0	EC000232
ETIM 10.0	EC000232
UNSPSC 26.08	32151503

## Dimensioned drawings

All dimensions in millimeters



## Notes




### Observe intended use!



- ⚠ This product is not a safety sensor and is not intended as personnel protection.
- ⚠ The product may only be put into operation by competent persons.
- ⚠ Only use the product in accordance with its intended use.

## Accessories

### Mounting

	Part no.	Designation	Article	Description
	50135463	A7-MP1-100	Tower light element	Connection: Terminal, Tension spring technology Design: Cylindrical Version: Base mounting Fastening, at system: Screw type / horizontal Module holder: One side Ambient temperature: -10 ... 60 °C Degree of protection: IP 66

### Note



- ⚠ A list with all available accessories can be found on the Leuze website in the Download tab of the article detailed page.