

Technical data sheet

Mounting plate

Part no.: 50152258

BT 500M

Contents

- Technical data
- Dimensioned drawings
- Notes



For illustration purposes only

Technical data

Basic data

Suitable for RSL 200 safety laser scanner

Mechanical data

Dimension (W x H x L) 106.4 mm x 51 mm x 9.3 mm

Net weight 125 g

Housing color Black

Design of mounting device Mounting plate

Type of fastening, at device Screw type

Mounting device material Steel

Classification

Customs tariff number 73182900

ECLASS 5.1.4 27279202

ECLASS 8.0 27279202

ECLASS 9.0 27273701

ECLASS 10.0 27273701

ECLASS 11.0 27273701

ECLASS 12.0 27273701

ECLASS 13.0 27273701

ECLASS 14.0 27273701

ECLASS 15.0 27273701

ETIM 5.0 EC002498

ETIM 6.0 EC003015

ETIM 7.0 EC003015

ETIM 8.0 EC003015

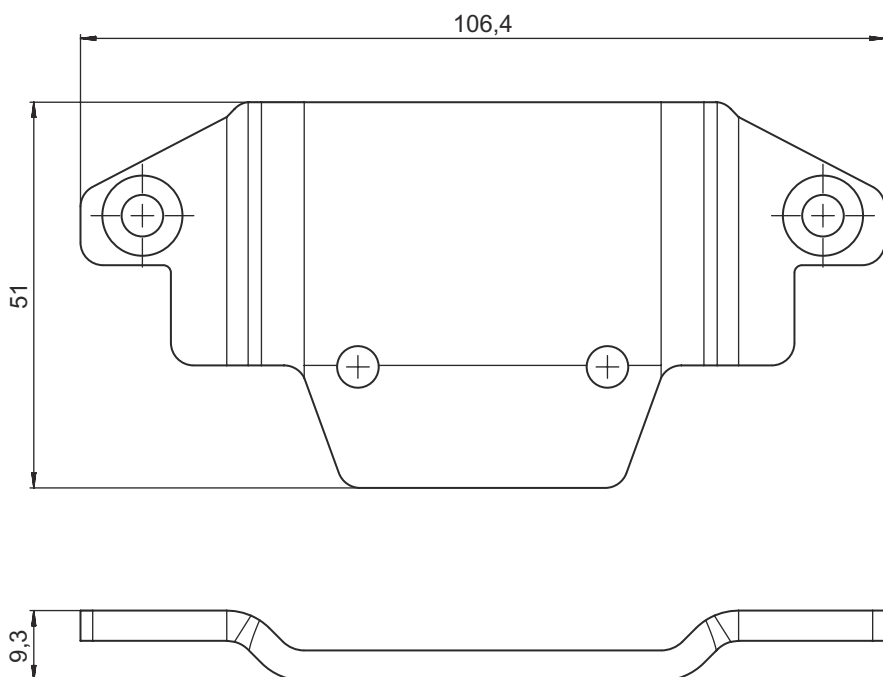
ETIM 9.0 EC003015

ETIM 10.0 EC003015

Dimensioned drawings

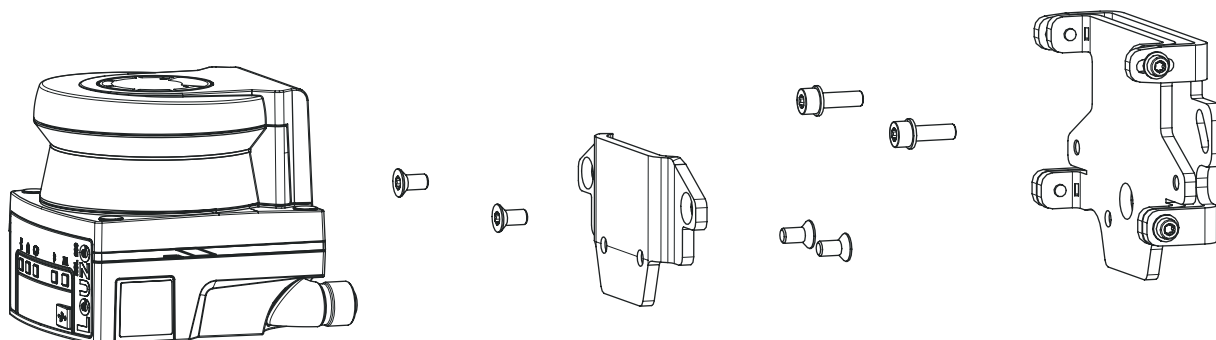
All dimensions in millimeters

Attachment adapter BT 500M



Dimensioned drawings

Mounting with wall mount and attachment adapter



- Mount the wall mount on the system side. Two M5x16 cylinder head screws with washers are included for this purpose.
- Mount the safety sensor on the BT 500M attachment adapter using the enclosed M5x10 countersunk screws (tightening torque = 2.3 Nm).
- Mount the safety sensor (with the attachment adapter) on the BTU 500M mounting system. Fasten the countersunk head screw to 4.5 Nm.
- Align the safety sensor on the BTU 500M mounting system vertically and horizontally:
 - using the slotted holes in the wall section with the M5 cylinder head screws as well as
 - using the inclination via the slotted holes of the M4 cylinder head screws.
- After aligning the safety sensor, secure it by tightening the four M4 cylinder head screws to 3.0 Nm and the M5 cylinder head screws on the system side.

Notes

NOTE



↳ The scanner can also be mounted directly on the mounting system without the BT 500M attachment adapter. Please note that the scanning range is limited to -135° ... $+135^{\circ}$.