

Technical data sheet

Y distribution box

Part no.: 548040

CB-M12-ACY3/1

Contents

- Technical data
- Dimensioned drawings
- Electrical connection
- Circuit diagrams



For illustration purposes only

Technical data

Connection

Connection 1

Type of connection	Connector
Thread size	M12
Type	Female
No. of pins	4 -pin
Version	Axial

Connection 2

Type of connection	Connector
Thread size	M12
Type	Female
No. of pins	4 -pin
Version	Axial

Connection 3

Type of connection	Connector
Thread size	M12
Type	Male
No. of pins	4 -pin
Version	Axial

Mechanical data

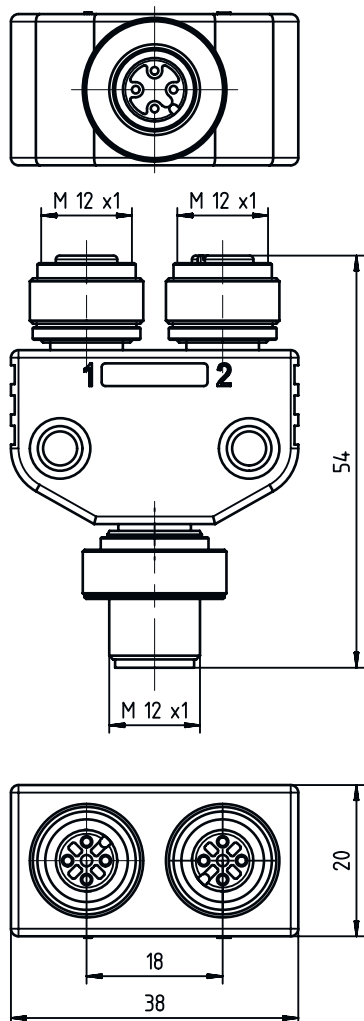
Net weight	34 g
------------	------

Classification

Customs tariff number	85366990
ECLASS 5.1.4	27279201
ECLASS 8.0	27279219
ECLASS 9.0	27440108
ECLASS 10.0	27440111
ECLASS 11.0	27440111
ECLASS 12.0	27440111
ECLASS 13.0	27440111
ECLASS 14.0	27440111
ECLASS 15.0	27440111
ECLASS 16.0	27440111
ETIM 5.0	EC002585
ETIM 6.0	EC002585
ETIM 7.0	EC002925
ETIM 8.0	EC003558
ETIM 9.0	EC003558
ETIM 10.0	EC003558
UNSPSC 26.08	32151900

Dimensioned drawings

All dimensions in millimeters



Electrical connection

Connection 1

Type of connection	Connector
Thread size	M12
Type	Female
No. of pins	4 -pin
Encoding	A-coded
Version	Axial

Connection 2

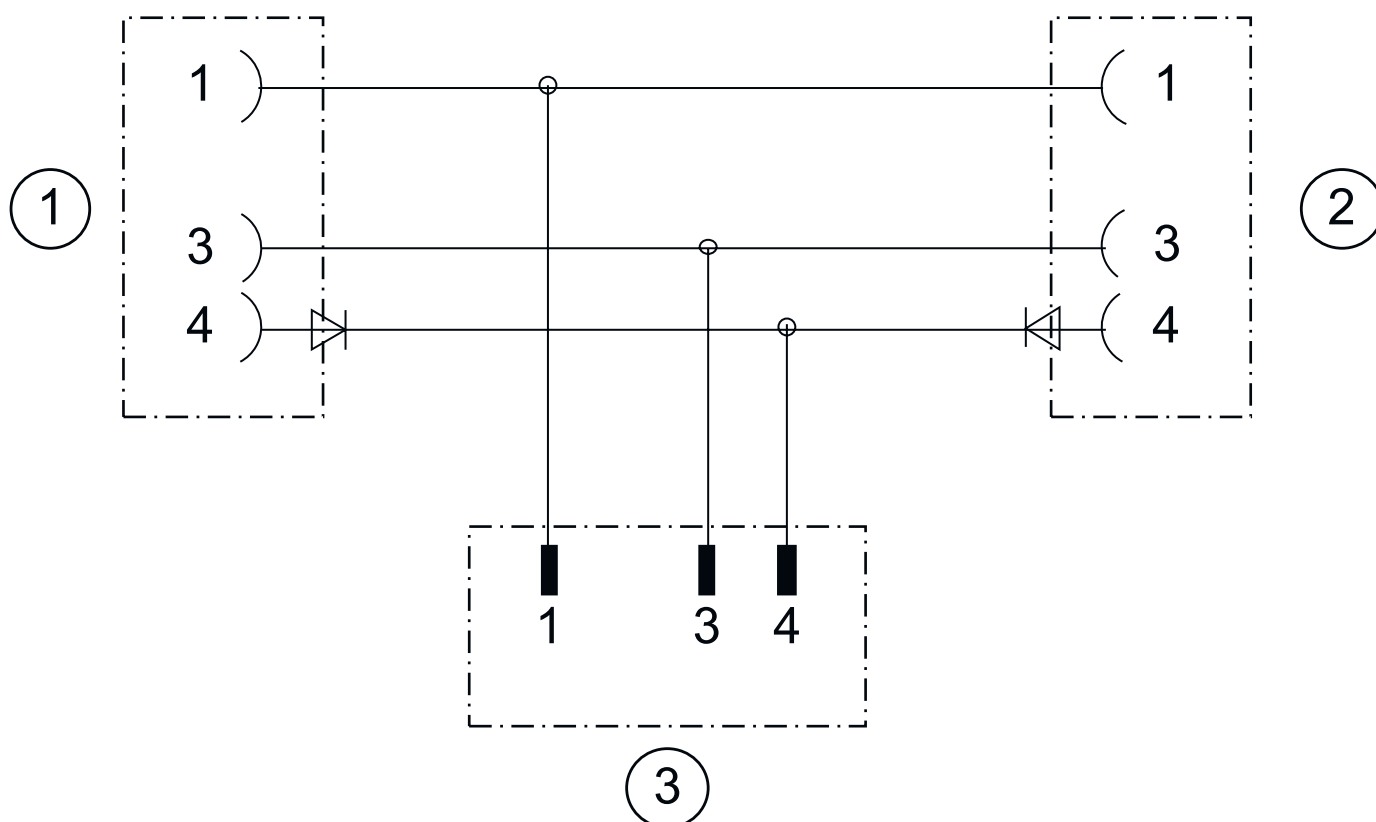
Type of connection	Connector
Thread size	M12
Type	Female
No. of pins	4 -pin
Encoding	A-coded
Version	Axial

Electrical connection

Connection 3

Type of connection	Connector
Thread size	M12
Type	Male
No. of pins	4 -pin
Encoding	A-coded
Version	Axial

Circuit diagrams



- 1 Connection 1, M12 socket
- 2 Connection 2, M12 socket
- 3 Connection 3, M12 connector