

Technical data sheet

IO-Link hub

Part no.: 50144901

MD 742-11-82IO5-12

Contents

- Technical data
- Dimensioned drawings
- Electrical connection
- Accessories



For illustration purposes only



Technical data

Basic data

Series	MD 700i
Type	IO-Hub

Electrical data

Performance data

Sensor/actuator supply V_{aux} 1: Class A V1 supply, short-circuit proof, 4 A total, 0.5 A per socket

Supply voltage U_B 18 ... 30 V

Current consumption, max. 15 mA

Inputs

Number of digital switching inputs 16 Piece(s)

Switching inputs

Type Digital switching input

Interface

Type	IO-Link
------	---------

IO-Link

COM mode COM2

Port type A

Specification V1.1

SIO-mode support Yes

Connection

Number of connections	9 Piece(s)
Sensor connections	8 Piece(s)
Connections for voltage supply	1 Piece(s)

Connection 1

Function Connection to the IO-Link master

Type of connection Connector

Thread size M12

Type Male

Material Metal

No. of pins 5 -pin

Encoding A-coded

Connection 2

Function Connection to device

Type of connection Connector

Thread size M12

Type Female

Material Metal

No. of pins 5 -pin

Encoding A-coded

Mechanical data

Dimension (W x H x L)	54 mm x 27.4 mm x 150 mm
Housing material	Halogen-free Plastic
Net weight	244 g

Environmental data

Ambient temperature, operation	-40 ... 70 °C
Ambient temperature, storage	-40 ... 85 °C

Certifications

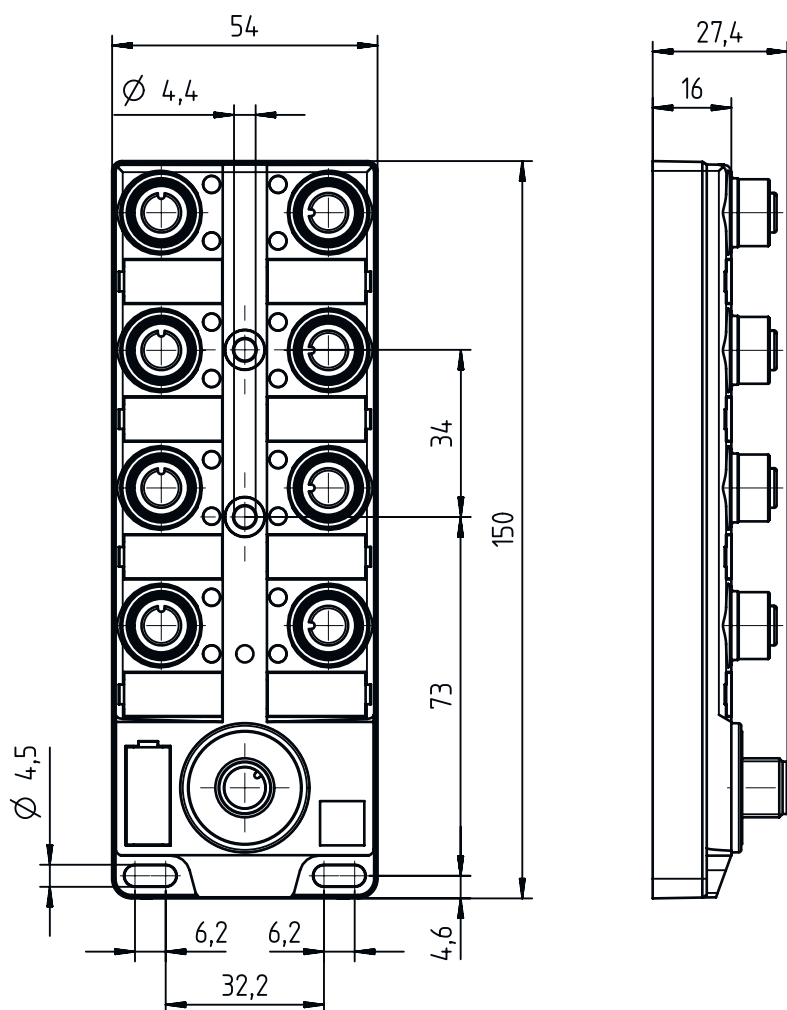
Degree of protection	IP 65 IP 67 IP 69K
Approvals	c UL US

Classification

Customs tariff number	85176200
ECLASS 5.1.4	19030117
ECLASS 8.0	19170106
ECLASS 9.0	19170106
ECLASS 10.0	19170490
ECLASS 11.0	19170490
ECLASS 12.0	19170490
ECLASS 13.0	19170490
ECLASS 14.0	19170490
ECLASS 15.0	19170490
ECLASS 16.0	19170490
ETIM 5.0	EC002585
ETIM 6.0	EC002585
ETIM 7.0	EC003558
ETIM 8.0	EC000734
ETIM 9.0	EC000734
ETIM 10.0	EC000734
UNSPSC 26.08	43222600

Dimensioned drawings

All dimensions in millimeters



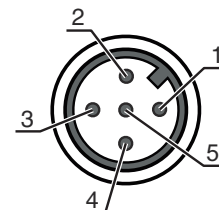
Electrical connection

Connection 1

Function	Connection to the IO-Link master
Type of connection	Connector
Thread size	M12
Type	Male
Material	Metal
No. of pins	5-pin
Encoding	A-coded

Pin Pin assignment

1	+24 V DC
2	n.c.
3	GND
4	IO-Link / OUT 1
5	FE



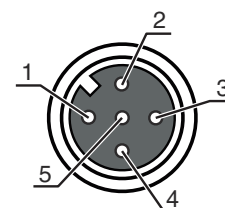
Electrical connection

Connection 2

C1 ... C8

Function	Connection to device
Type of connection	Connector
Thread size	M12
Type	Female
Material	Metal
No. of pins	5 -pin
Encoding	A-coded

Pin	Pin assignment
1	+
2	OUT
3	-
4	OUT
5	FE



Accessories

Connection technology - Connection cables

	Part no.	Designation	Article	Description
	50133841	KD U-M12-5A-P1-050	Connection cable	Application: Oil and lubricant resistant Connection 1: Connector, M12, Axial, Female, A-coded, 5 -pin Connector, LED: No Connection 2: Open end Shielded: No Cable length: 5,000 mm Sheathing material: PUR
	50132537	KD U-M12-5W-P1-050	Connection cable	Application: Oil and lubricant resistant Connection 1: Connector, M12, Angled, Female, A-coded, 5 -pin Connector, LED: No Connection 2: Open end Shielded: No Cable length: 5,000 mm Sheathing material: PUR
	50136203	KS U-M12-5A-P1-020	Connection cable	Application: Oil and lubricant resistant Connection 1: Connector, M12, Axial, Male, A-coded, 5 -pin Connector, LED: No Connection 2: Open end Shielded: No Cable length: 2,000 mm Sheathing material: PUR

Connection technology - Interconnection cables

	Part no.	Designation	Article	Description
	50133298	KDS U-M12-5A-M12-5A-V1-050	Interconnection cable	Application: Chemical resistant Connection 1: Connector, M12, Axial, Female, A-coded, 5 -pin Connection 2: Connector, M12, Axial, Male, A-coded, 5 -pin Shielded: No Cable length: 5,000 mm Sheathing material: PVC

Accessories

Note



🔗 A list with all available accessories can be found on the Leuze website in the Download tab of the article detailed page.