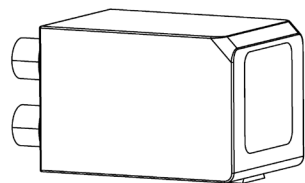
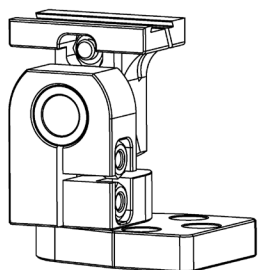


## MB-1 300

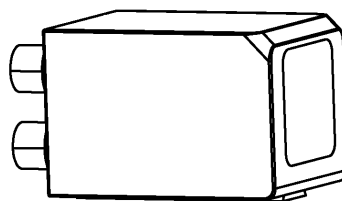
## MB-1 300 / MB-2 300 / MB-3 300 / MB-4 300



1

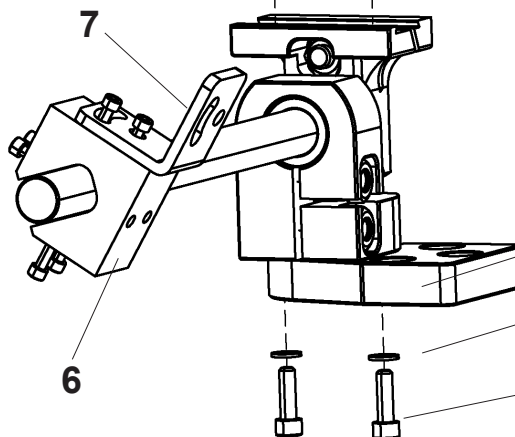
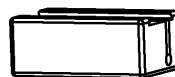


3



1

2



7

6

3

4

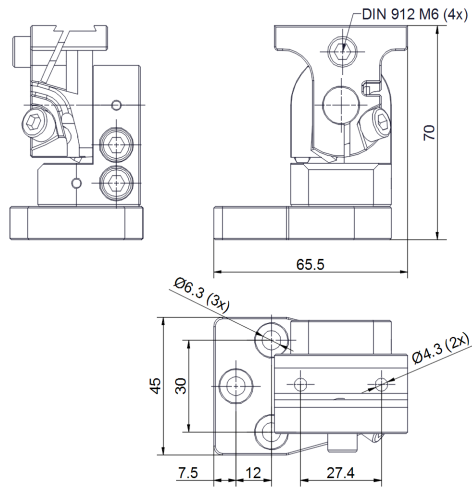
5

1 <sup>1)</sup>		ACR 300i
2 <sup>1)</sup>	50136487	Mounting clamp MB-2 300
3	50136486	Mounting dovetail MB-1 300 with 2 rotating axis, hole for mounting rod.
4 <sup>2)</sup>		Spring disk DIN 127 A4
5 <sup>2)</sup>		Screw M4 x 20 DIN 7984
6 <sup>1)</sup>	50136488	Mounting block MB-3 300
7 <sup>1)</sup>	50136489	Mounting angle MB-4 300

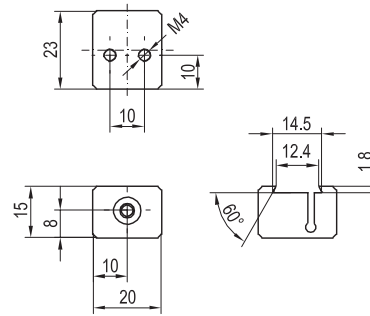
<sup>1)</sup> not part of the scope of delivery

<sup>2)</sup> part of the scope of delivery MB-2 300

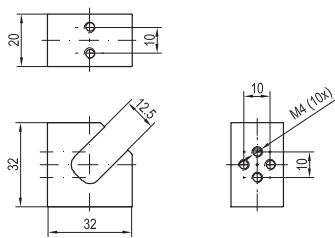
**MB-1 300**



**MB-2 300**



**MB-3 300**



**MB-4 300**

