

Technical data sheet

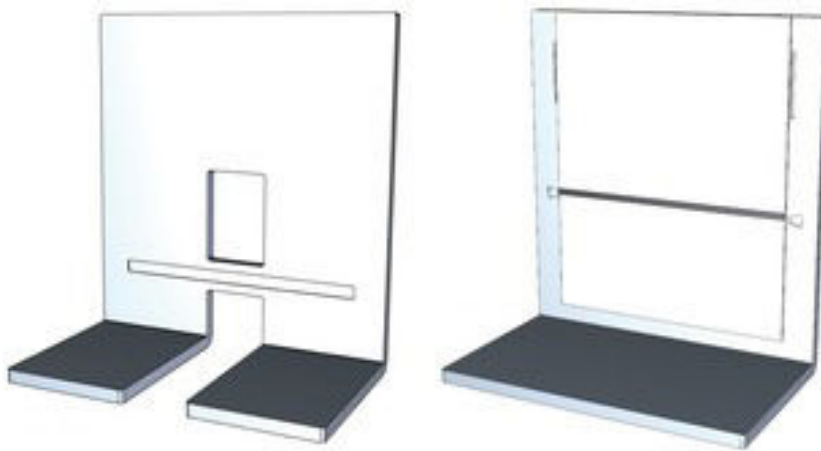
Alignment aid

Part no.: 50143109

BT ARH 46C.DL

Contents

- Technical data
- Dimensioned drawings



For illustration purposes only

Technical data

Basic data

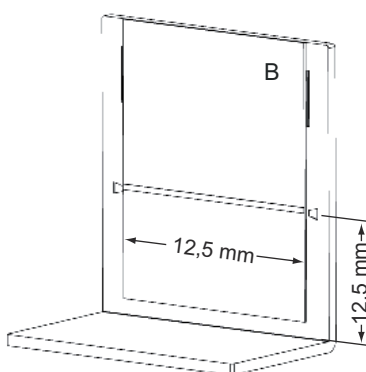
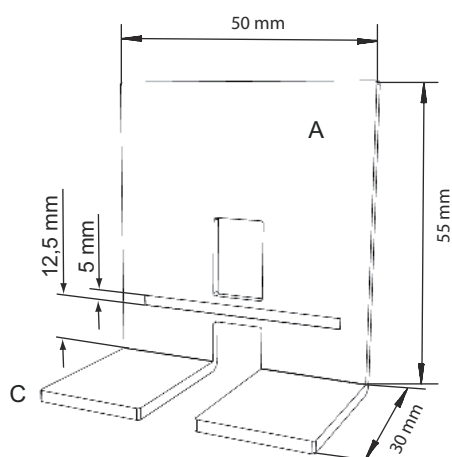
Type	Alignment aid for fast and reproducible alignment of RK46C.DL above the conveyor belt. For a reliable operation, the RK46C.DL should always be aligned with this alignment aid
Suitable for	RK46C.DL

Classification

Customs tariff number	83024900
ECLASS 5.1.4	27279210
ECLASS 8.0	27279210
ECLASS 9.0	27273607
ECLASS 10.0	27273607
ECLASS 11.0	27273607
ECLASS 12.0	27273607
ECLASS 13.0	27273607
ECLASS 14.0	27273607
ETIM 5.0	EC002498
ETIM 6.0	EC003015
ETIM 7.0	EC003015
ETIM 8.0	EC003015
ETIM 9.0	EC003015

Dimensioned drawings

All dimensions in millimeters



- A Alignment aid bracket, near
- B Alignment aid bracket, distant, with highly reflective film
- C Sheet metal thickness: 3 mm