

Technical data sheet

Loop guard

Part no.: 53800131

BTP800M

Contents

- Technical data
- Dimensioned drawings



For illustration purposes only

Technical data

Basic data

Suitable for	BTF815M mounting bracket
	BTF830M mounting bracket

Mechanical data

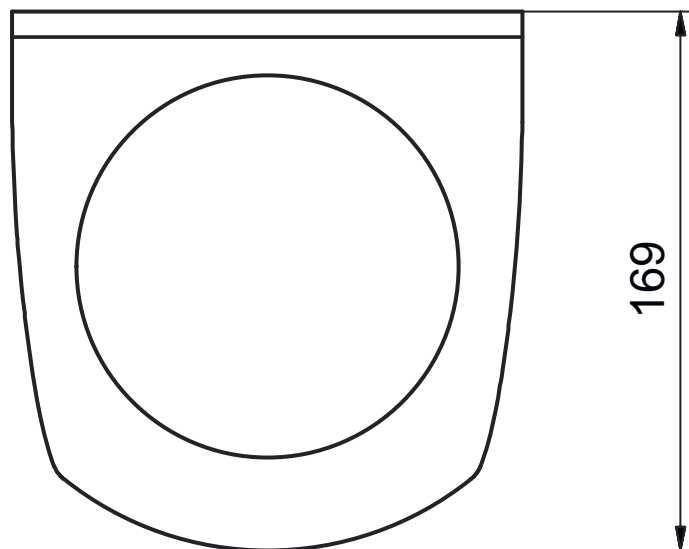
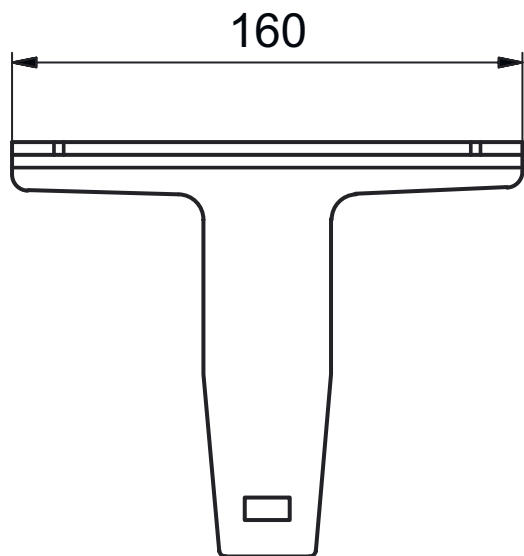
Dimension (W x H x L)	160 mm x 169 mm
Net weight	600 g
Housing color	Black
Mounting device material	Metal

Classification

Customs tariff number	73182900
ECLASS 5.1.4	27279202
ECLASS 8.0	27279202
ECLASS 9.0	27273701
ECLASS 10.0	27273701
ECLASS 11.0	27273701
ECLASS 12.0	27273701
ECLASS 13.0	27273701
ECLASS 14.0	27273701
ECLASS 15.0	27273701
ECLASS 16.0	27273701
ETIM 5.0	EC002498
ETIM 6.0	EC003015
ETIM 7.0	EC003015
ETIM 8.0	EC003015
ETIM 9.0	EC003015
ETIM 10.0	EC003015
UNSPSC 26.08	31242100

Dimensioned drawings

All dimensions in millimeters



Dimensioned drawings

Example: loop guard mounting



- 1 BTF815M mounting bracket for floor mounting
(only with BTU800M mounting system)
- 2 BTU800M mounting system

- 3 Loop guard BTP800M
- 4 Safety sensor