

Technical data sheet

Mounting bracket

Part no.: 53800134

BT840M

Contents

- Technical data
- Dimensioned drawings



For illustration purposes only

Technical data

Basic data

Application	Mounting on chamfered 90° corner
Suitable for	RSL 400 safety laser scanner

Mechanical data

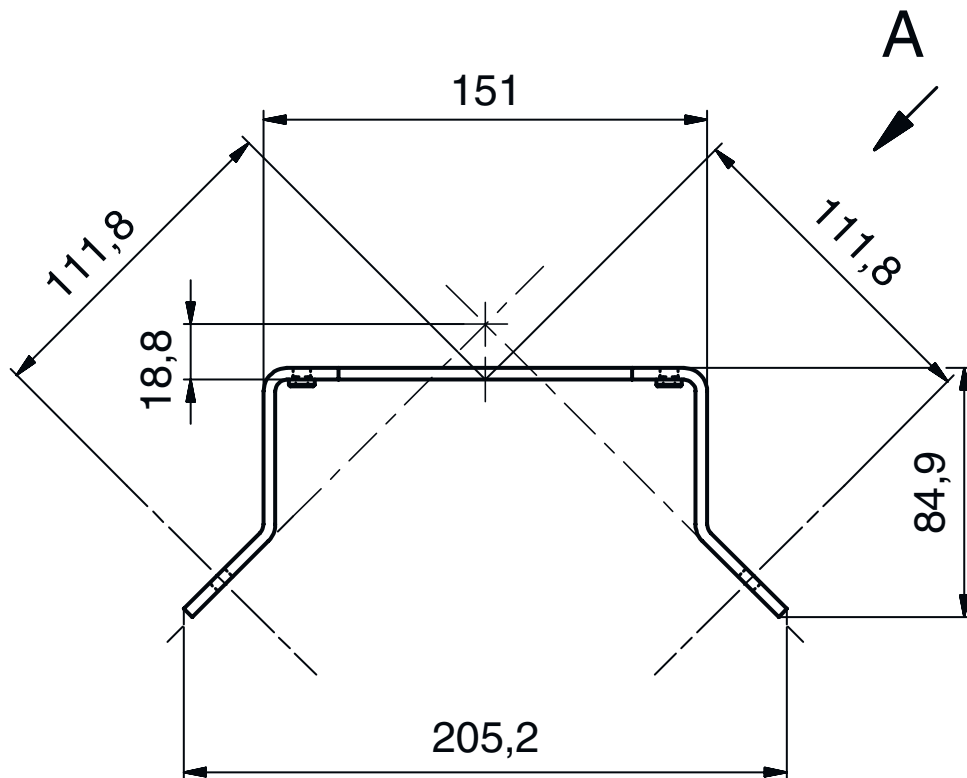
Dimension (W x H x L)	84.9 mm x 72 mm x 205.2 mm
Net weight	1,080 g
Housing color	Yellow, RAL 1021
Type of fastening, at system	Through-hole mounting
Type of fastening, at device	Screw type
Mounting device material	Metal

Classification

Customs tariff number	73182900
ECLASS 5.1.4	27279202
ECLASS 8.0	27279202
ECLASS 9.0	27273701
ECLASS 10.0	27273701
ECLASS 11.0	27273701
ECLASS 12.0	27273701
ECLASS 13.0	27273701
ECLASS 14.0	27273701
ECLASS 15.0	27273701
ECLASS 16.0	27273701
ETIM 5.0	EC002498
ETIM 6.0	EC003015
ETIM 7.0	EC003015
ETIM 8.0	EC003015
ETIM 9.0	EC003015
ETIM 10.0	EC003015
UNSPSC 26.08	31242100

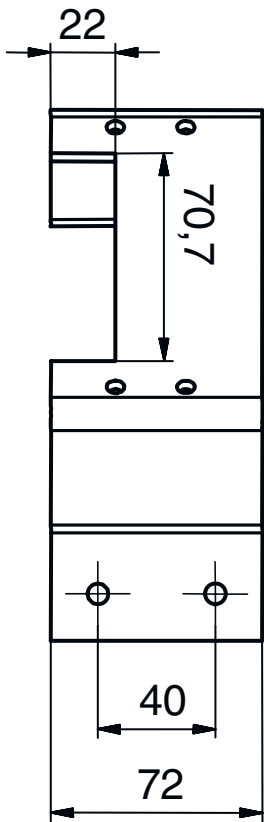
Dimensioned drawings

All dimensions in millimeters



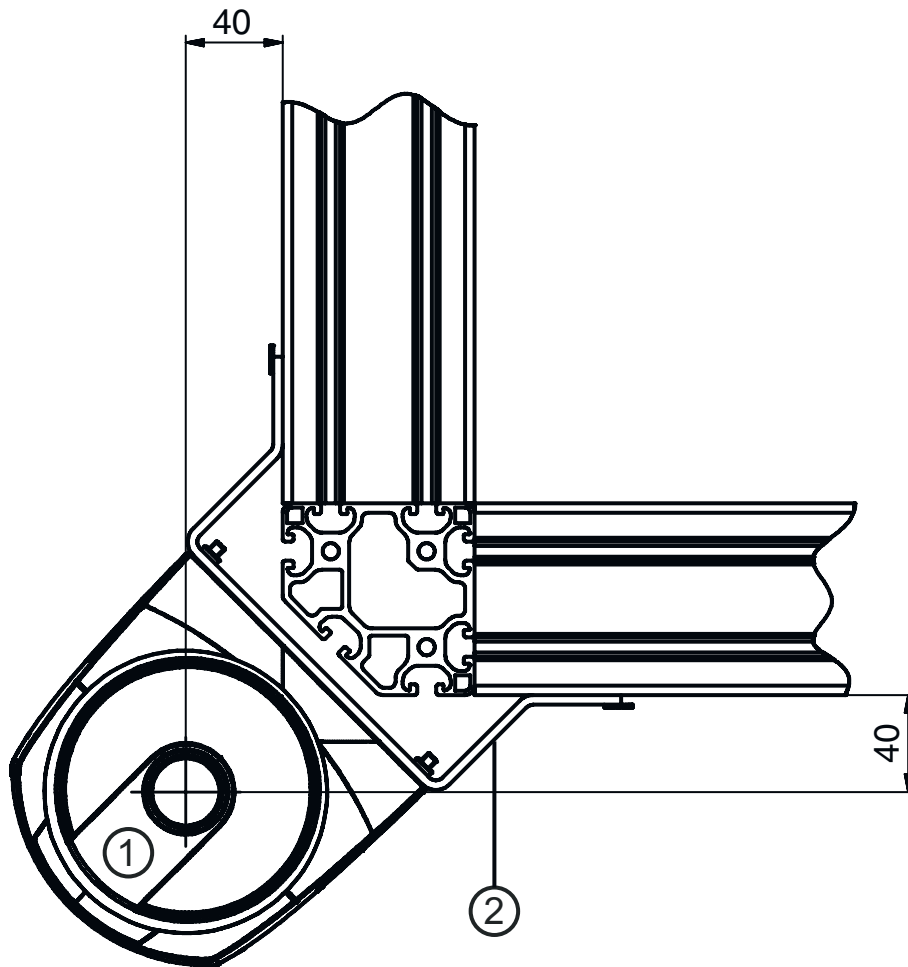
Dimensioned drawings

View A



Dimensioned drawings

Example: mounting on a chamfered corner



- 1 Safety sensor
- 2 BT840M mounting bracket