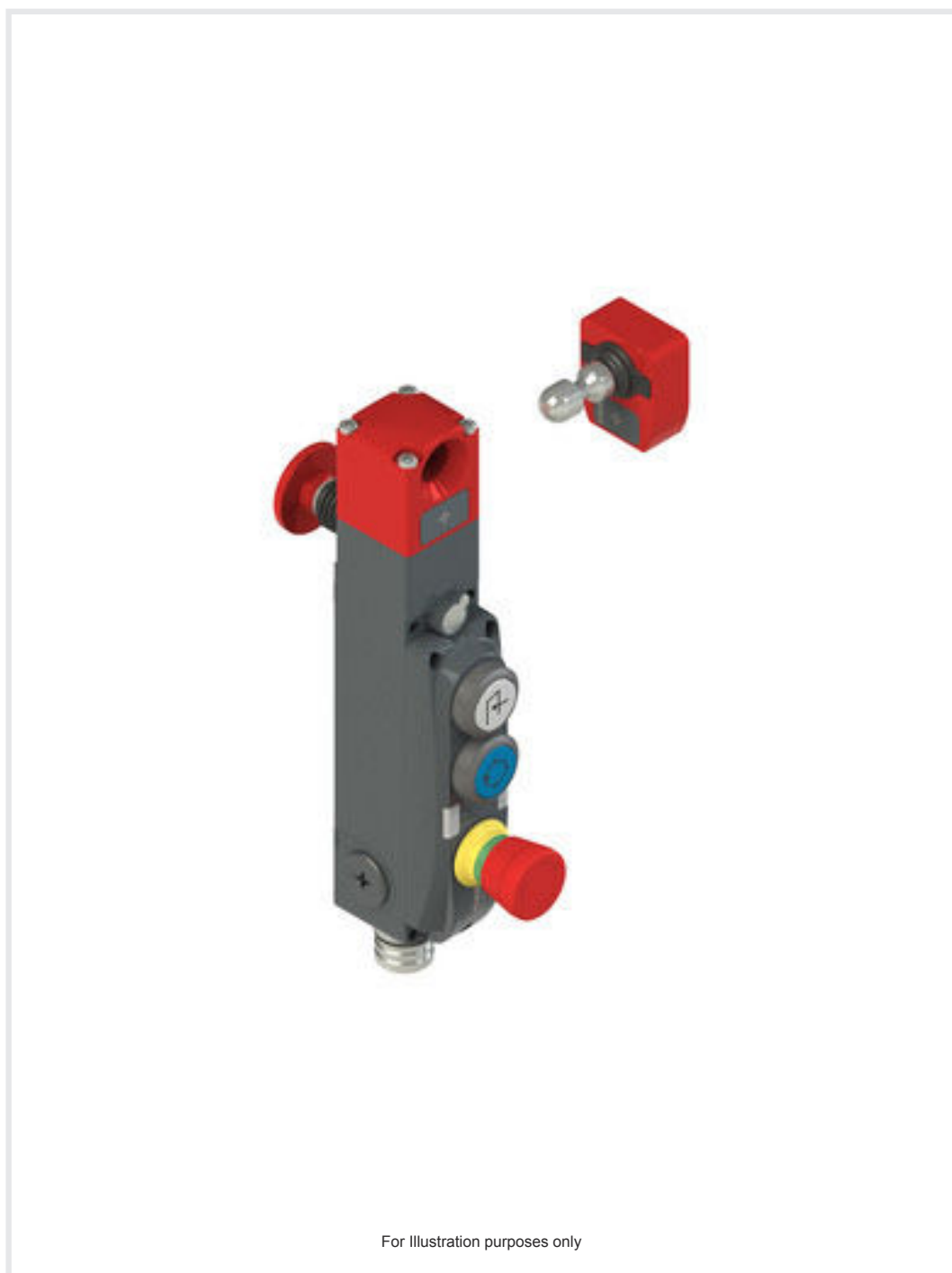


## Technical data sheet Safety locking device

Part no.: 50145105

L300-B2-M41M23B19-MLM24-PB-UCA



### Contents

- Technical data
- Dimensioned drawings
- Electrical connection
- Accessories



For illustration purposes only

## Technical data

### Basic data

Series	L300-B2
Contains	1x actuator 1x safety locking device

### Functions

Functions	Locking device with guard interlocking in acc. with EN ISO 14119 (type 4)
Activation mode of safety outputs	Safety outputs active if safety door is closed and locked
Operating principle	Power to lock – Actuator locked if electromagnet is activated

### Characteristic parameters

SIL	3, IEC 61508
SILCL	3, IEC/EN 62061
Performance Level (PL)	Up to and including e, EN ISO 13849-1
MTTF <sub>d</sub>	2,968 years, EN ISO 13849-1
PFH <sub>D</sub>	1.15E-9 per hour
Mission time T <sub>M</sub>	20 years, EN ISO 13849-1
Category	4, EN ISO 13849-1
DC	High
Encoding level	High, EN ISO 14119

### Electrical data

Type of wiring	Series connection Single connection
External safeguarding for supply circuit	2A type Gg (or equivalent)

#### Performance data

Supply voltage U <sub>B</sub>	24 V, DC, -10 ... 10 %
Current consumption, max.	1,200 mA

#### Inputs

Number of safety-related switching inputs	2 Piece(s)
Number of digital switching inputs	2 Piece(s)

#### Switching inputs

Type	Digital switching input
Switching voltage, type.	24 V
Voltage type	DC
Current consumption, type.	5 mA
Teach input for actuator	Yes

#### Digital switching input 1

Function	I4 activation input: electromagnet
----------	------------------------------------

#### Digital switching input 2

Function	I3 programming input / control input for reset
----------	--

#### Safety-related switching inputs

Type	Safety switching input
Voltage type	DC
Switching voltage, type.	24 V
Current consumption, type.	5 mA

#### Outputs

Number of safety-related switching outputs (OSSDs)	2 Piece(s)
Number of digital switching outputs	2 Piece(s)

### Safety-related switching outputs

Type	Safety-related switching output OSSD
Voltage type	DC

#### Safety-related switching output 1

Switching element	Transistor, PNP
-------------------	-----------------

#### Safety-related switching output 2

Switching element	Transistor, PNP
-------------------	-----------------

### Switching outputs

Type	Digital switching output
Voltage type	DC

#### Switching output 1

Switching element	Transistor, PNP
Function	O3 signal output: protective-device closed

#### Switching output 2

Switching element	Transistor, PNP
Function	O4 signal output: protective-device locked

### Connection

#### Connection 1

Function	Connection with PLC Contact connection Voltage supply
Type of connection	Connector
Thread size	M23
Type	Male
Material	Metal
No. of pins	19 -pin
Encoding	A-coded

#### Cable properties

### Mechanical data

Design	Cubic
Housing material	Metal
Net weight	1,900 g
Housing color	Gray Red
Type of fastening	Through-hole mounting
Side of cable entry	From below
Release device	Escape release button
Switch type	Interlock device with guard interlocking
Approach speed	0.001 ... 0.5 m/s
Locking type	Electromagnetic
Locking actuation	Magnet
Locking force, max.	9,750 N
Mechanical life time	1,000,000 actuation cycles, IEC 60947-5-1 switching cycles
Actuation frequency, max.	600 per hour, IEC 60947-5-1
Extraction force, unlocked actuator	30 N

## Technical data

### RFID sensor data

Assured operating distance $S_{ao}$	2 mm
Assured cut-out distance $S_{ar}$	10 mm (actuator locked)
	4 mm (actuator not locked)
Nominal switching distance $S_n$	2.5 mm
Repeatability	$\leq 10\% S_n$
Max. switching frequency	1 Hz

### Operation and display

Type of display	LED
Number of LEDs	5 Piece(s)
Operational controls	3 command devices
Function of the operational control	Button illuminates with icon "Acknowledge", blue
	Button illuminates with icon "Request", white
	E-Stop button, not illuminated, with rotary release

### Environmental data

Ambient temperature, operation	-20 ... 50 °C
Ambient temperature, storage	-40 ... 75 °C

### Certifications

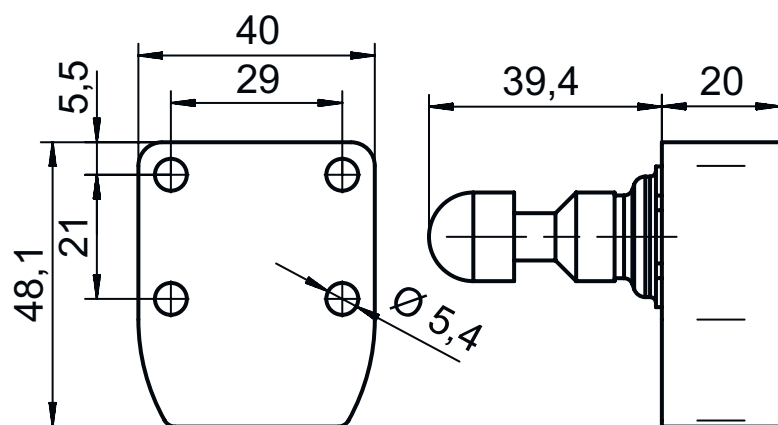
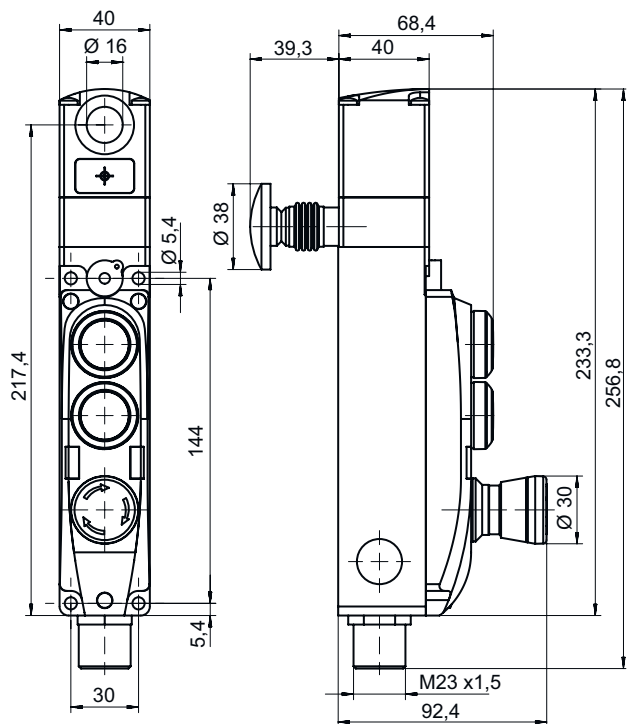
Degree of protection	IP 65
Approvals	c UL US
	ECOLAB
	TÜV Süd

### Classification

ECLASS 5.1.4	27272603
ECLASS 8.0	27272603
ECLASS 9.0	27272603
ECLASS 10.0	27272603
ECLASS 11.0	27272603
ECLASS 12.0	27272603
ECLASS 13.0	27272603
ECLASS 14.0	27272603
ECLASS 15.0	27272603
ECLASS 16.0	27272603
ETIM 5.0	EC002593
ETIM 6.0	EC002593
ETIM 7.0	EC002593
ETIM 8.0	EC002593
ETIM 9.0	EC002593
ETIM 10.0	EC002593
UNSPSC 26.08	39122205

## Dimensioned drawings

All dimensions in millimeters



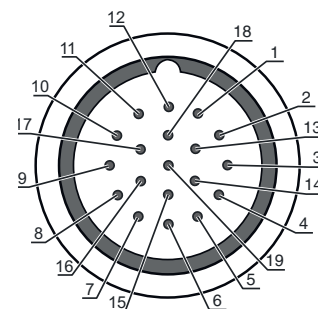
## Electrical connection

### Connection 1

<b>Function</b>	Connection with PLC Contact connection Voltage supply
<b>Type of connection</b>	Connector
<b>Thread size</b>	M23
<b>Type</b>	Male
<b>Material</b>	Metal
<b>No. of pins</b>	19 -pin
<b>Encoding</b>	A-coded

## Electrical connection

Pin	Pin assignment	Conductor color
1	I4 activation input: electromagnet	Violet
2	IS1 safe input	Red
3	IS2 safe input	Gray
4	OS1 safe output	Blue / Red
5	OS2 safe output	Green
6	A1 +24 V	Blue
7	I3 programming input / control input for reset	Gray / Pink
8	O3 signal output: protective-device closed	Green / White
9	O4 signal output: protective-device locked	White / Yellow
10	Device 3, contact 1	Gray / White
11	Device 3, contact 1	Black
12	n.c.	Green / Yellow
13	Device 3, contact 2	Brown / Yellow
14	Device 3, contact 2	Brown / Green
15	Device 2, contact 1	White
16	LED2 +24 V	Yellow
17	Device 1, contact 1	Pink
18	LED1 +24 V	Brown / Gray
19	A2 +0 V	Brown



## Accessories

### Connection technology - Connection cables

	Part no.	Designation	Article	Description
	50134971	KD U-M23-JA-P1-050	Connection cable	Application: Oil and lubricant resistant Connection 1: Connector, M23, Axial, Female, A-coded, 19 -pin Connector, LED: No Connection 2: Open end Shielded: No Cable length: 5,000 mm Sheathing material: PUR
	50134972	KD U-M23-JA-P1-100	Connection cable	Application: Oil and lubricant resistant Connection 1: Connector, M23, Axial, Female, A-coded, 19 -pin Connector, LED: No Connection 2: Open end Shielded: No Cable length: 10,000 mm Sheathing material: PUR
	50136636	KD U-M23-JA-P1-150	Connection cable	Application: Oil and lubricant resistant Connection 1: Connector, M23, Axial, Female, A-coded, 19 -pin Connector, LED: No Connection 2: Open end Shielded: No Cable length: 15,000 mm Sheathing material: PUR

## Actuators

	Part no.	Designation	Article	Description
	50132062 **	AC-L300-UCA	Actuator	Code type: Unique code Encoding level: High, EN ISO 14119 Housing color: Red Type of fastening: Through-hole mounting

\*\* Included in delivery contents

## Accessories

### General

	Part no.	Designation	Article	Description
	50149358	AC-L300-LCK	Lockout device	Suitable for: L300 safety locking devices Housing color: Black, Red Material: Metal, with powder coating
	50149359	AC-L300-LCK-A1	Lockout device	Suitable for: L300 safety locking devices Housing color: Black, Red Material: Metal, with powder coating
	50149304	AC-L300-SH2-G0-B000-Z	Safety door handle	Suitable for: L300 safety locking devices

#### Note



A list with all available accessories can be found on the Leuze website in the Download tab of the article detailed page.