

Technical data sheet

Muting sensor set

Part no.: 426527

Set-AC-MLX.2-2SB



Contents

- Set consists of
- Technical data
- Dimensioned drawings
- Electrical connection



For illustration purposes only

Set consists of

	Quantity	Part no.	Designation	Article	Description
	2	50139557	PRK25C.D/PX-2000-M12	Polarized retro-reflective photoelectric sensor	Application: Detection of stretch-wrapped objects Operating range limit: 0.05 ... 10 m Light source: LED, Red Supply voltage: DC Digital switching outputs: 1 Piece(s) Switching output 1: Transistor, PNP, Dark switching Switching frequency: 1,500 Hz Connection: Cable with connector, 2,000 mm, M12, PUR, 4 -pin
	2	50022814	TKS 50X50	Reflector	Design: Rectangular Triple reflector size: 4 mm Reflective surface: 47 mm x 48 mm Material: Plastic Base material: Plastic Chemical designation of the material: PMMA8N Fastening: Through-hole mounting, Adhesive

Technical data

Basic data

Series	Set-AC
Suitable for	MLD 500, MLD 300 multiple light beam safety devices

Optical data

Operating range	0.05 ... 4 m, With reflector TKS 50x50 0.05 to 8 m, with reflector TK(S) 100x100
-----------------	--

Connection

Number of connections	2 Piece(s)
Connection 1	
Function	Connection with sensor connection module
Type of connection	Cable with connector
Cable length	2,000 mm
Thread size	M12
Type	Male
No. of pins	4 -pin
Connection 2	
Function	Connection with sensor connection module
Type of connection	Cable with connector
Cable length	2,000 mm
Sheathing material	PUR
Thread size	M12
Type	Male
No. of pins	4 -pin

Mechanical data

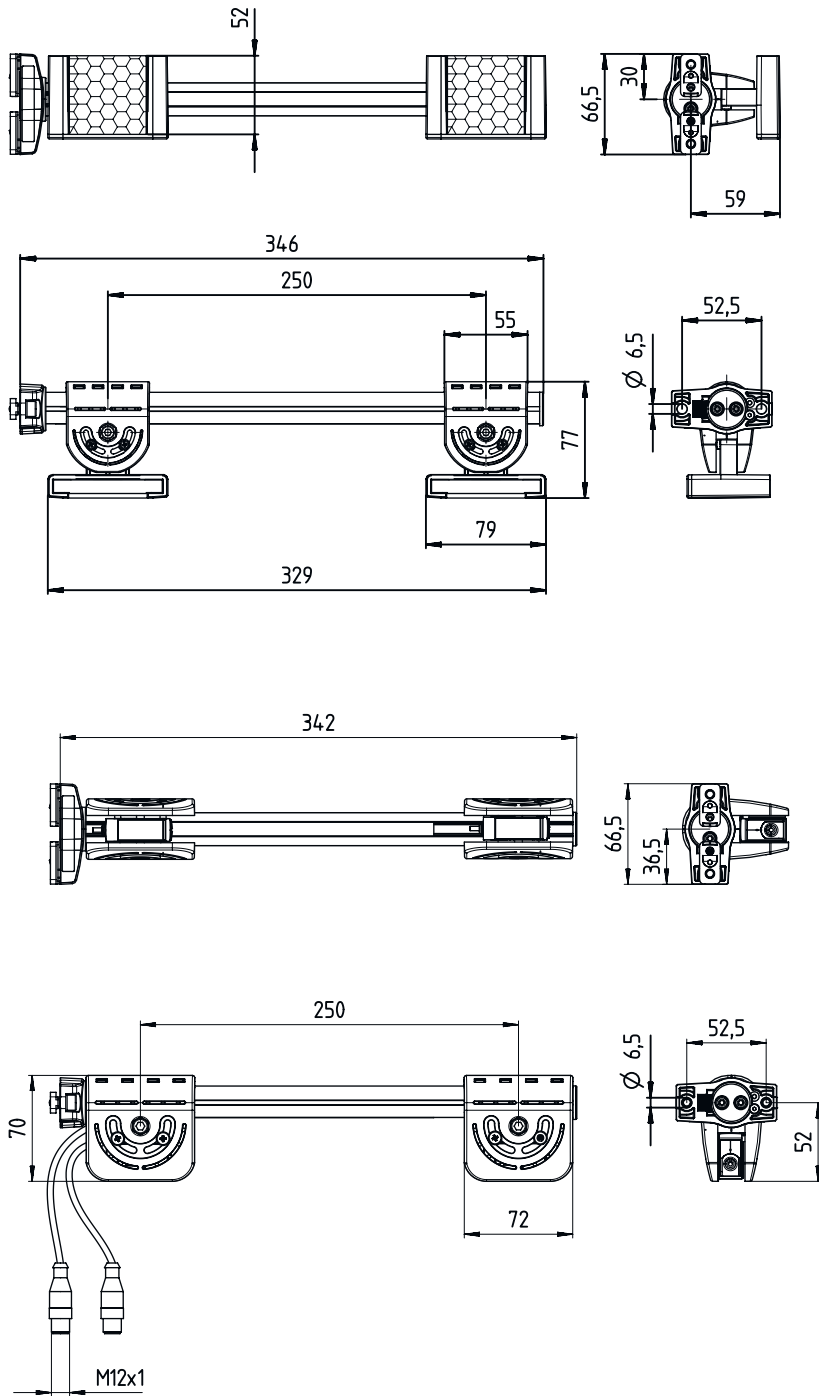
Net weight	1,210 g
Housing color	Yellow, RAL 1021
Type of fastening	Supplied mounting bracket
Type of muting sensors	PRK 25C retro-reflective photoelectric sensors
Number of muting sensors	2 Piece(s)
Number of reflectors	2 Piece(s)

Classification

Customs tariff number	85365019
ECLASS 5.1.4	27279290
ECLASS 8.0	27279290
ECLASS 9.0	27279090
ECLASS 10.0	27272792
ECLASS 11.0	27272792
ECLASS 12.0	27272792
ECLASS 13.0	27272792
ECLASS 14.0	27272792
ECLASS 15.0	27272792
ECLASS 16.0	27272792
ETIM 5.0	EC002498
ETIM 6.0	EC003015
ETIM 7.0	EC003015
ETIM 8.0	EC003015
ETIM 9.0	EC003015
ETIM 10.0	EC003015
UNSPSC 26.08	31242100

Dimensioned drawings

All dimensions in millimeters



Electrical connection

Connection 1

Function	Connection with sensor connection module
Type of connection	Cable with connector
Cable length	2,000 mm
Thread size	M12
Type	Male
No. of pins	4 -pin

Connection 2

Function	Connection with sensor connection module
Type of connection	Cable with connector
Cable length	2,000 mm
Sheathing material	PUR
Thread size	M12
Type	Male
No. of pins	4 -pin