

Technical data sheet

Y distribution box

Part no.: 50144605

YV U-SDD-25-25-25-X07-S

Contents

- Technical data
- Dimensioned drawings
- Electrical connection
- Circuit diagrams



Figure can vary



Technical data

Basic data

Order guide	Please observe the circuit diagram acc. to the data sheet
-------------	---

Connection

Number of connections	3 Piece(s)
-----------------------	------------

Connection 1

Type of connection	Connector
Thread size	M12
Type	Female
No. of pins	5 -pin
Encoding	A-coded
Version	Axial

Connection 2

Type of connection	Connector
Thread size	M12
Type	Female
No. of pins	5 -pin
Encoding	A-coded
Version	Axial

Connection 3

Type of connection	Connector
Thread size	M12
Type	Male
No. of pins	5 -pin
Encoding	A-coded
Version	Axial

Cable properties

Shielded	No
----------	----

Mechanical data

Design	Cubic
Dimension (W x H x L)	32 mm x 15 mm
Width across flats	13 mm
Length	45 mm
Material	PUR

Environmental data

Ambient temperature, operation	-25 ... 85 °C
--------------------------------	---------------

Certifications

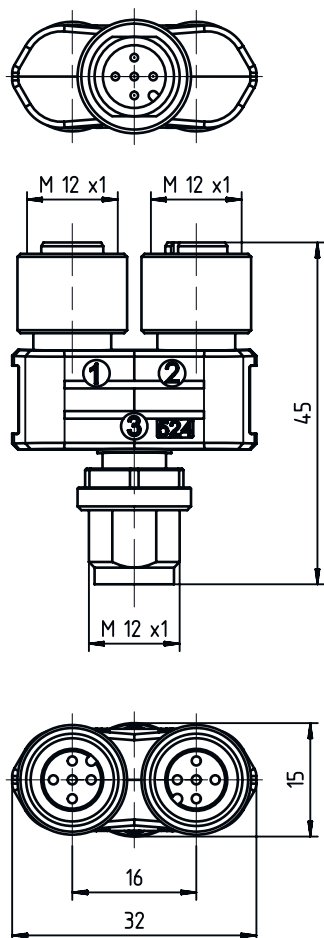
Degree of protection	IP 67
----------------------	-------

Classification

Customs tariff number	85366990
ECLASS 5.1.4	27279201
ECLASS 8.0	27440104
ECLASS 9.0	27069190
ECLASS 10.0	27440111
ECLASS 11.0	27440111
ECLASS 12.0	27440111
ECLASS 13.0	27440111
ETIM 5.0	EC002498
ETIM 6.0	EC002925
ETIM 7.0	EC002925
ETIM 8.0	EC003558

Dimensioned drawings

All dimensions in millimeters



Electrical connection

Connection 1

Type of connection	Connector
Thread size	M12
Type	Female
No. of pins	5 -pin
Encoding	A-coded
Version	Axial

Connection 2

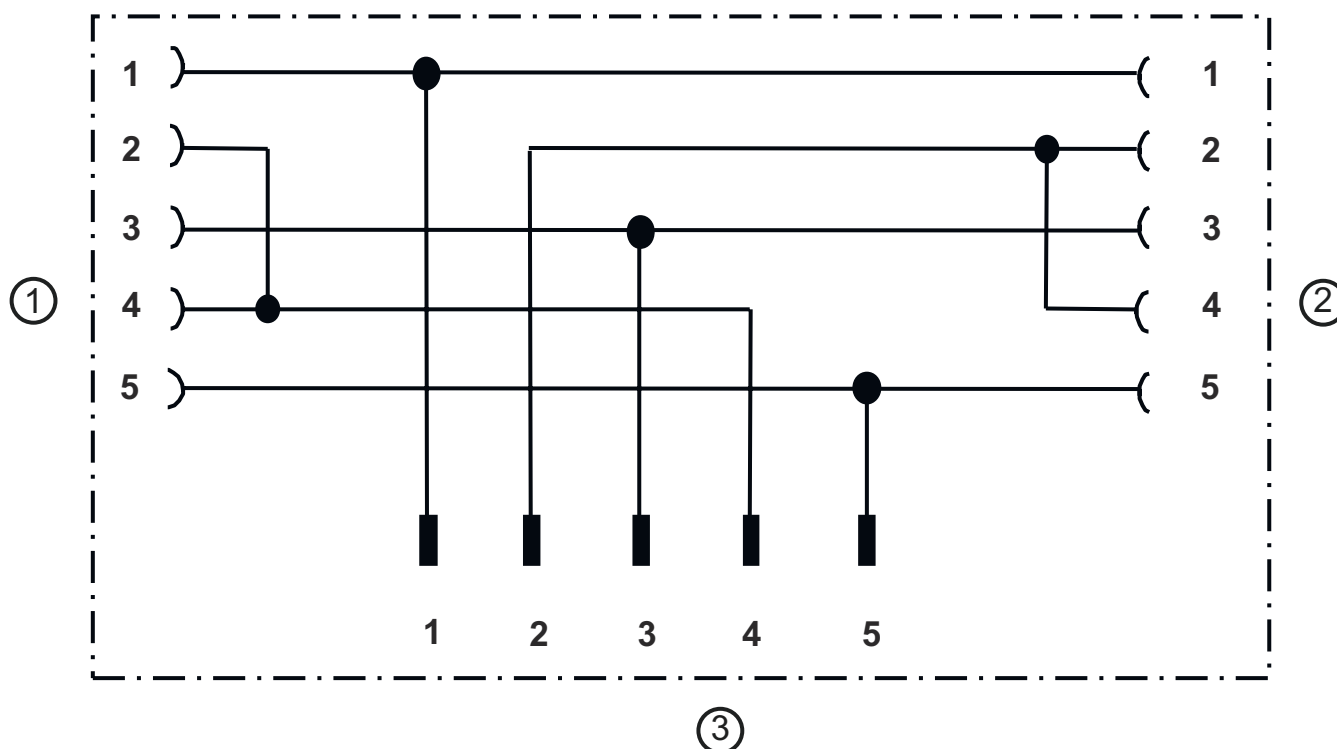
Type of connection	Connector
Thread size	M12
Type	Female
No. of pins	5 -pin
Encoding	A-coded
Version	Axial

Electrical connection

Connection 3

Type of connection	Connector
Thread size	M12
Type	Male
No. of pins	5-pin
Encoding	A-coded
Version	Axial

Circuit diagrams



- 1 Connection 1, M12 socket
- 2 Connection 2, M12 socket
- 3 Connection 3, M12 connector