

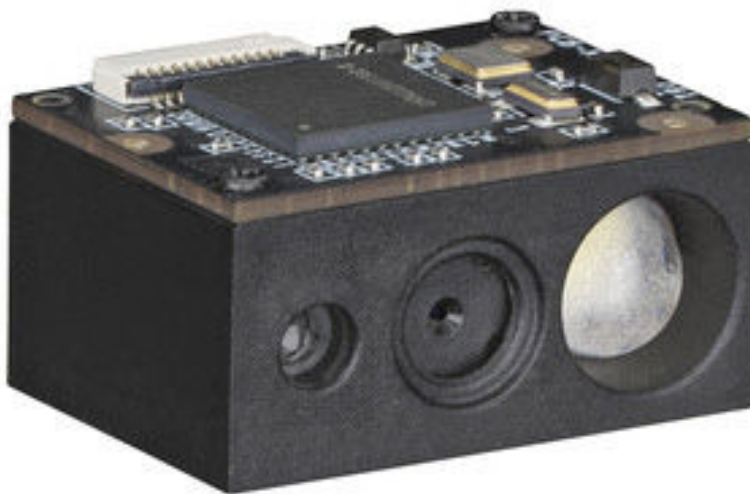
Technical data sheet Stationary 2D-code reader

Part no.: 50151528

DCR50M2/R2-S7

Contents

- Technical data
- Dimensioned drawings
- Electrical connection
- Diagrams
- Notes
- Accessories



For illustration purposes only



Technical data

Basic data

Series	DCR 50
Chip	CMOS (Global Shutter)

Special version

Special version	Scan Engine Module
-----------------	--------------------

Functions

Software functions	Reading of 1D codes Reading of 2D codes
--------------------	--

Read data

Code types, readable	2/5 Hong Kong 2/5 IATA 2/5 Interleaved 2/5 Straight Aztec Codabar Code 11 Code 128 Code 32 Code 39 Code 93 Composite Codes Data Matrix Code DotCode EAN 8/13 Grid Matrix GS1 Databar Expanded GS1 Databar RSS 14 HanXin Maxicode Micro PDF Micro QR MSI Plessey PDF417 Pharma Code QR code UPC-A UPC-E
----------------------	---

Optical data

Reading distance	45 ... 400 mm
Camera resolution, horizontal	1,280 px
Camera resolution, vertical	800 px
Reading field opening angle, horizontal	46 °
Reading field opening angle, vertical	29 °
Modulus size	0.127 ... 0.528 mm

Electrical data

Performance data

Supply voltage U_B	3.3 V, DC, -5 ... 5 %
Current consumption, max.	230 mA

Inputs

Number of digital switching inputs	1 Piece(s)
------------------------------------	------------

Switching inputs

Type	Digital switching input
------	-------------------------

Outputs

Number of digital switching outputs	1 Piece(s)
-------------------------------------	------------

Switching outputs

Type	Digital switching output
Voltage type	DC
Switching current, max.	8 mA

Switching output 1

Switching element	Transistor, PNP / NPN switchable
-------------------	----------------------------------

Interface

Type	USB (HID, CDC), TTL 232
------	-------------------------

TTL 232

Data format	Adjustable
Function	Process
Transmission speed	9,600 ... 230,400 Bd

USB

Function	Process
Operating mode	COM port emulation
Specification	USB 2.0

Connection

Number of connections	1 Piece(s)
-----------------------	------------

Connection 1

Function	Configuration interface Data interface Signal IN Signal OUT Voltage supply
Type of connection	12-pin FFC, 0.5mm pitch, Maximum cable length of 100 mm
No. of pins	12 -pin

Mechanical data

Design	Cubic
Dimension (W x H x L)	21.6 mm x 11.8 mm x 15.8 mm
Housing material	Plastic
Net weight	5 g
Housing color	Black
Type of fastening	Fastening thread M1.6

Operation and display

Type of display	Buzzer
Type of configuration	Software

Environmental data

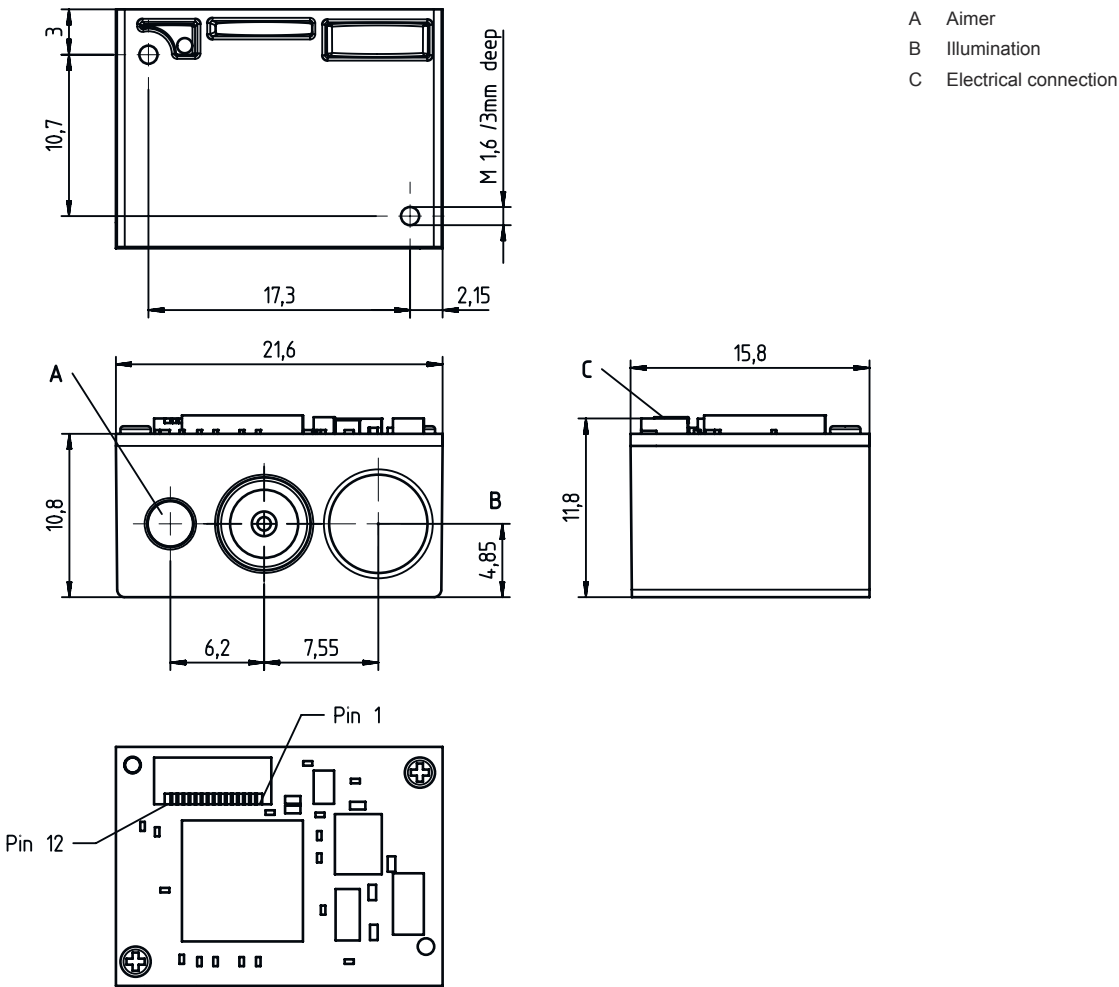
Ambient temperature, operation	-10 ... 50 °C
Ambient temperature, storage	-40 ... 70 °C
Relative humidity (non-condensing)	5 ... 95 %

Technical data

Customs tariff number	84719000
ECLASS 5.1.4	27280103
ECLASS 8.0	27280103
ECLASS 9.0	27280103
ECLASS 10.0	27280103
ECLASS 11.0	27280103
ECLASS 12.0	27280103
ECLASS 13.0	27280103
ECLASS 14.0	27280103
ECLASS 15.0	27280103
ECLASS 16.0	27280103
ETIM 5.0	EC002550
ETIM 6.0	EC002999
ETIM 7.0	EC002999
ETIM 8.0	EC002999
ETIM 9.0	EC002999
ETIM 10.0	EC002999
UNSPSC 26.08	43211701

Dimensioned drawings

All dimensions in millimeters



Electrical connection

Connection 1

Function	Configuration interface Data interface Signal IN Signal OUT Voltage supply
Type of connection	12-pin FFC, 0.5mm pitch
Type of connection	Maximum cable length of 100 mm
No. of pins	12 -pin

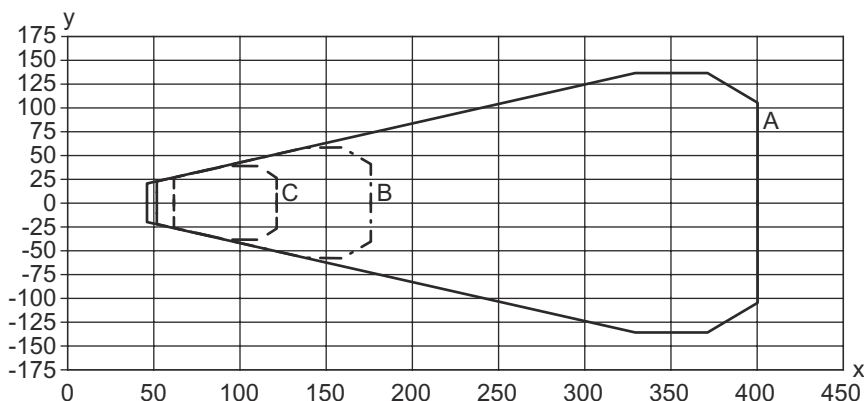
Pin	Pin assignment
1	n.c.
2	V+
3	GND
4	RxD
5	TxD
6	D-

Electrical connection

Pin	Pin assignment
7	D+
8	n.c.
9	Beeper
10	Decode LED
11	n.c.
12	Trigger IN

Diagrams

Reading field



- x Reading field distance [mm]
- y Reading field width [mm]
- A UPC EAN (0.33 mm/13 mil)
- B Code 39/Code 128 (0,1mm/4mil)
- C QR/Datamatrix code (0,18mm/7mil)

Notes

Observe intended use!

- ↪ This product is not a safety sensor and is not intended as personnel protection.
- ↪ The product may only be put into operation by competent persons.
- ↪ Only use the product in accordance with its intended use.

Accessories

Start-up/diagnosis

	Part no.	Designation	Article	Description
	50151531	MA-DCR50-S7	Adapter set	Description: Adapter circuit board for laboratory and test purposes, open circuit board

Note

↪ A list with all available accessories can be found on the Leuze website in the Download tab of the article detailed page.