

Technical data sheet Mounting bracket set

Part no.: 540352

BT-SET-240BCS-E

Contents

- Technical data
- Dimensioned drawings



For illustration purposes only

Technical data

Basic data

Suitable for product group	Protective sensors
Suitable for	MLD 500, MLD 300 multiple light beam safety devices

Mechanical data

Net weight	241 g
Type of fastening, at system	Through-hole mounting
Type of fastening, at device	Clampable
Type of mounting device	Shock absorber Turning, 240°
Mounting device material	Metal Plastic
Shock absorber	Yes

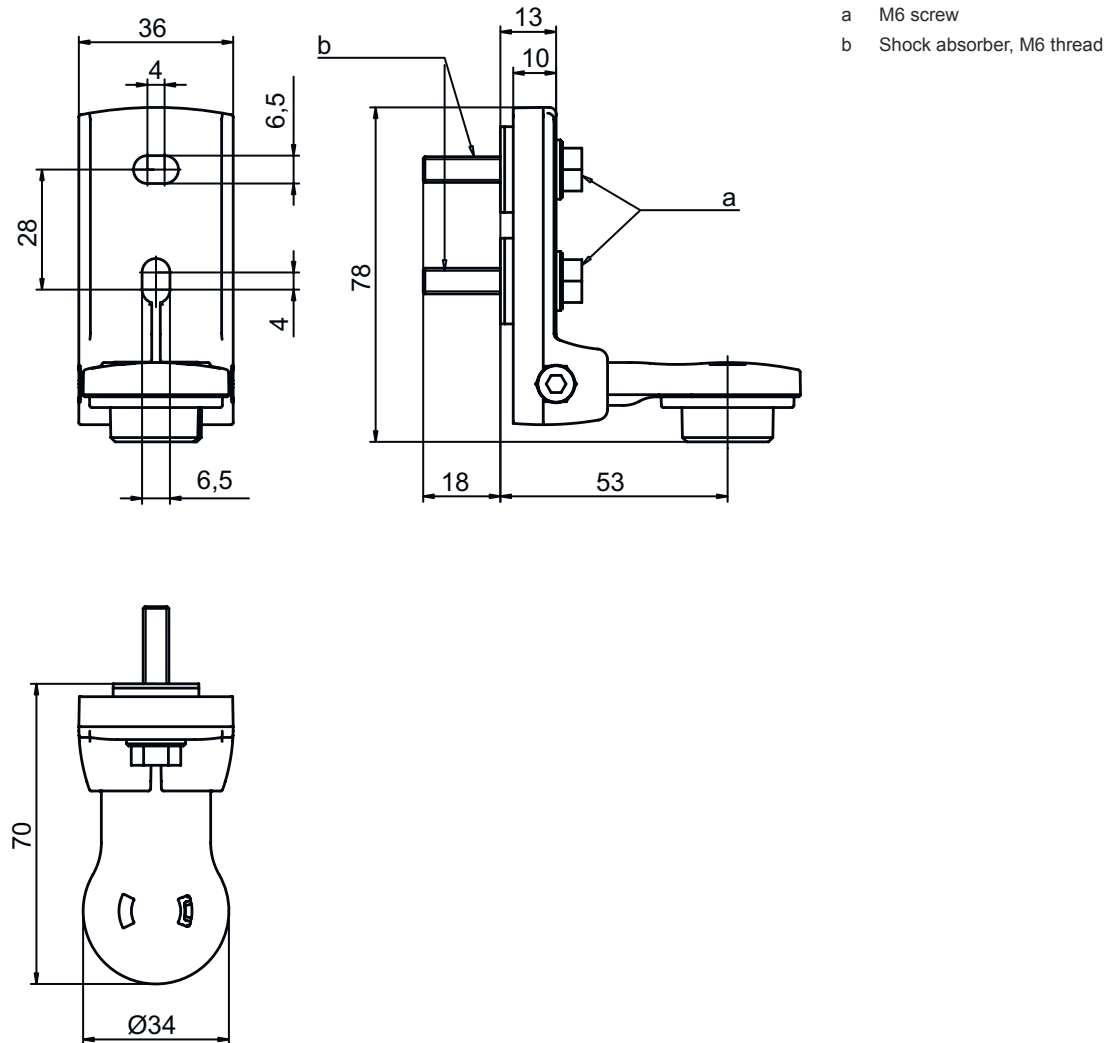
Classification

Customs tariff number	83024900
ECLASS 5.1.4	27279202
ECLASS 8.0	27279202
ECLASS 9.0	27273701
ECLASS 10.0	27273701
ECLASS 11.0	27273701
ECLASS 12.0	27273701
ECLASS 13.0	27273701
ECLASS 14.0	27273701
ECLASS 15.0	27273701
ECLASS 16.0	27273701
ETIM 5.0	EC002498
ETIM 6.0	EC003015
ETIM 7.0	EC003015
ETIM 8.0	EC003015
ETIM 9.0	EC003015
ETIM 10.0	EC003015
UNSPSC 26.08	31242100

Dimensioned drawings

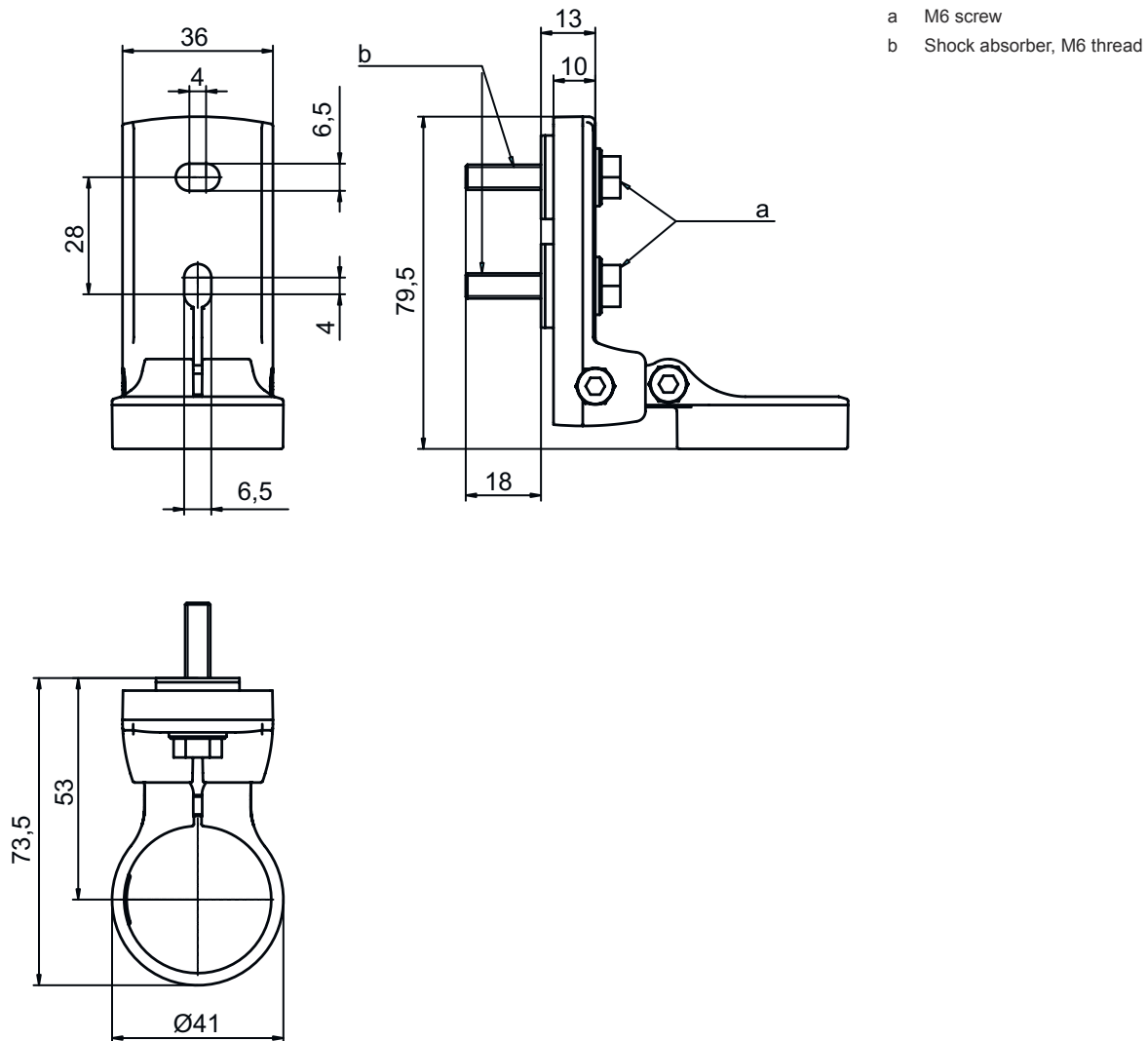
All dimensions in millimeters

BT-SET-240BS-E swivel mount



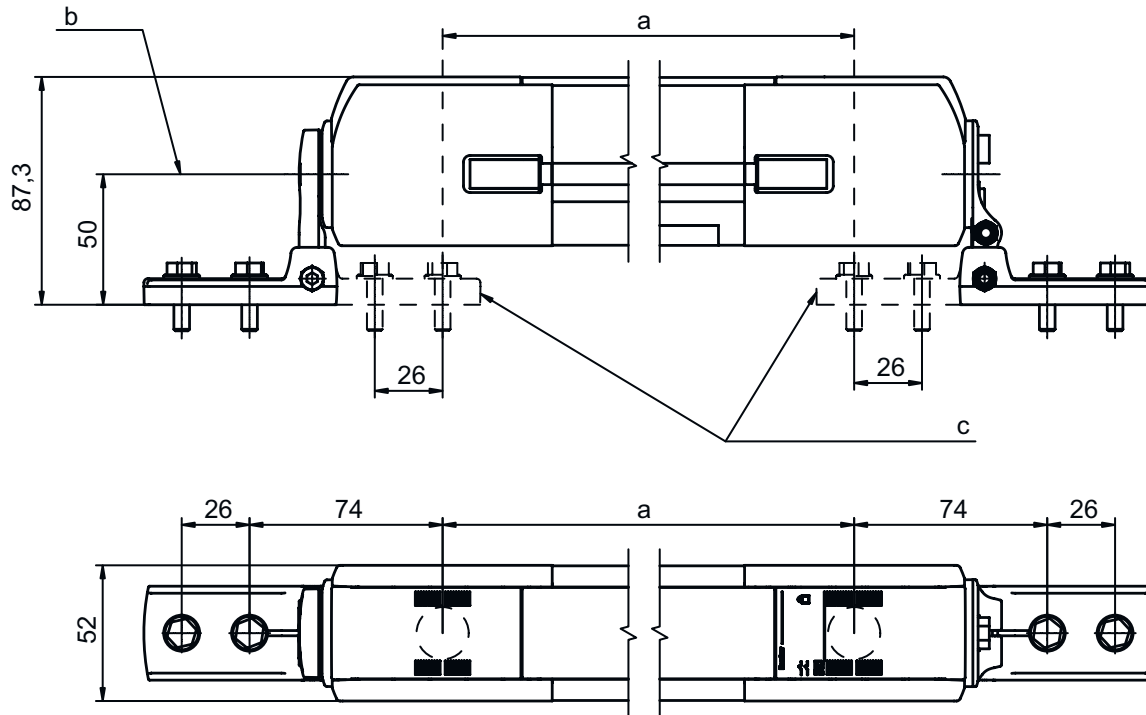
Dimensioned drawings

BT-SET-240CS-E swivel mount



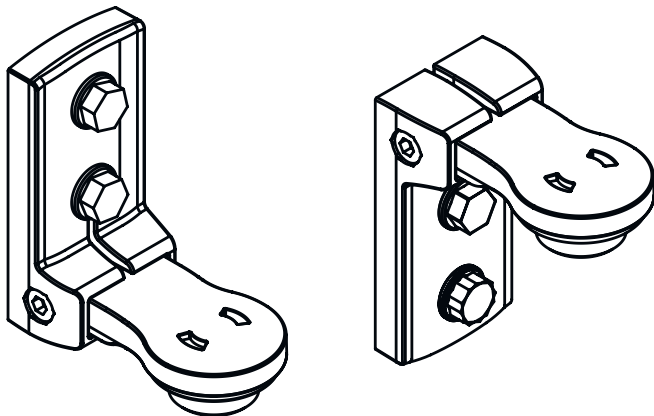
Dimensioned drawings

Mounting dimensions



- a Beam spacing
- b Swivel axis
- c Alternative mounting variant

Mounting variants



Dimensioned drawings

Mounting variants

