

Technical data sheet

Filter

Part no.: 50148133

AC SP 021 P

Contents

- Technical data
- Dimensioned drawings
- Diagrams



For illustration purposes only

Technical data

Basic data

| | |
|--------------|--|
| Type | Real-glass polarization filter and filter plate holder |
| Suitable for | Illumination IL SP 021 ... |

Mechanical data

| | |
|-----------------------|-------------------|
| Dimension (W x H x L) | 36.5 mm x 34.5 mm |
| Thread size | M27 x 0.5 mm |
| Length | 12 mm |
| Net weight | 15 g |
| Housing color | Black |

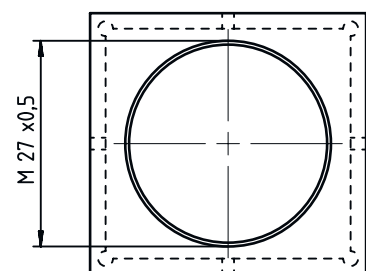
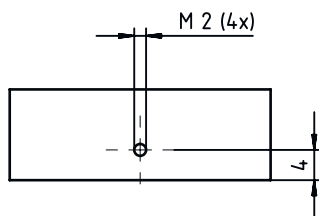
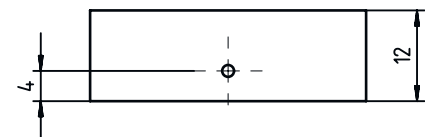
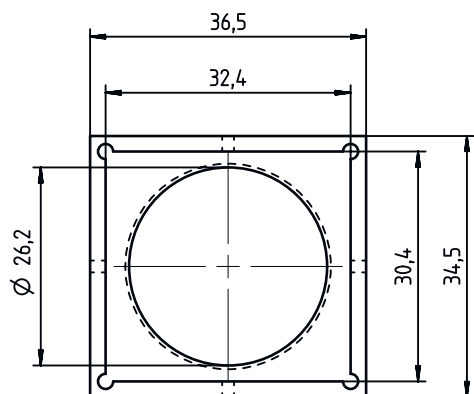
Classification

| | |
|-----------------------|----------|
| Customs tariff number | 90022000 |
| ECLASS 5.1.4 | 27310203 |
| ECLASS 8.0 | 27310203 |
| ECLASS 9.0 | 27319290 |
| ECLASS 10.0 | 27310203 |
| ECLASS 11.0 | 27310203 |
| ECLASS 12.0 | 27310203 |
| ECLASS 13.0 | 27310203 |
| ECLASS 14.0 | 27310203 |
| ETIM 5.0 | EC002498 |
| ETIM 6.0 | EC003015 |
| ETIM 7.0 | EC003015 |
| ETIM 8.0 | EC003015 |
| ETIM 9.0 | EC003015 |

Dimensioned drawings

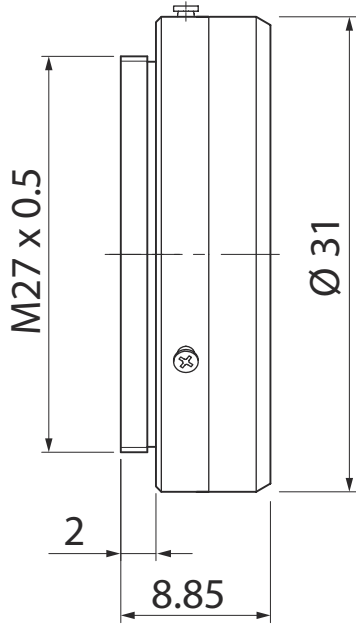
All dimensions in millimeters

Filter plate holder



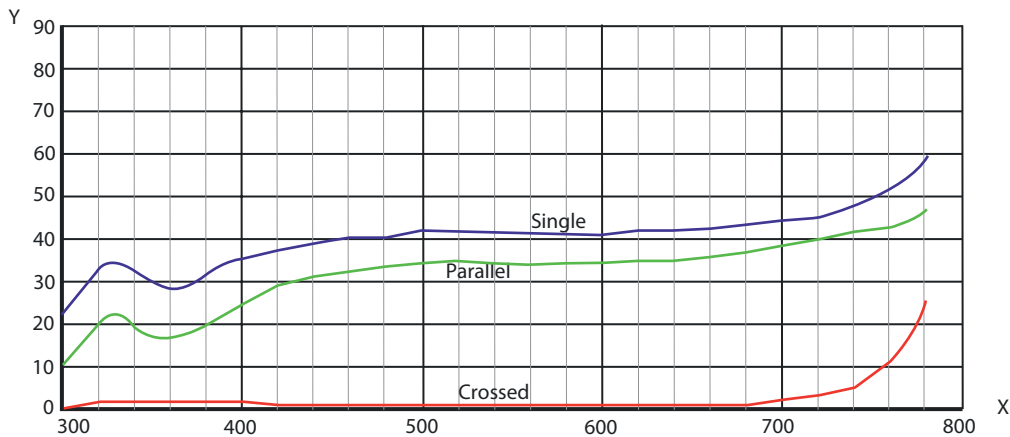
Dimensioned drawings

Polarization filter



Diagrams

Transmission curve



X Wavelength [nm]
 Y Transmission [mm]