

Technical data sheet Stationary bar code reader

Part no.: 50126080

CR55M2/R2

Contents

- Technical data
- Dimensioned drawings
- Electrical connection
- Diagrams
- Operation and display
- Notes
- Accessories



For illustration purposes only

CE c  US **RS232**



Technical data

Basic data

Series	CR55
--------	------

Characteristic parameters

Read data

Code types, readable	2/5 Interleaved
	Codabar
	Code 128
	Code 39
	Code 93
	EAN 128
	EAN 8/13
	EAN/UPC
	GS1 Databar
	UPC
Scanning rate, typical	330 scans/s

Optical data

Reading distance	40 ... 250 mm
Light source	LED, Red
Wavelength	617 nm
Modulus size	0.1 ... 0.5 mm
Reading method	Line scanner
Beam deflection	Via prism
Light beam exit	Front

Electrical data

Performance data

Supply voltage U_B	4.5 ... 5.5 V, DC
Current consumption, max.	120 mA

Outputs

Number of digital switching outputs	1 Piece(s)
-------------------------------------	------------

Switching outputs

Voltage type	DC
--------------	----

Switching output 1

Switching element	Transistor, NPN
Function	DATA VALID

Interface

Type	RS 232
RS 232	
Function	Process
Transmission speed	300 ... 115,200 Bd
Data format	Fixed
Start bit	1
Data bit	8
Stop bit	1.2
Parity	None
Transmission protocol	Adjustable
Data encoding	ASCII
	HEX

Connection

Number of connections	1 Piece(s)
-----------------------	------------

Connection 1

Function	Data interface
	Signal IN
	Signal OUT
	Voltage supply
Type of connection	Cable
Cable length	2,000 mm
Sheathing material	PVC
Cable color	Black
Number of conductors	6 -wire
Wire cross section	0.081 mm ²

Mechanical data

Design	Cubic
Dimension (W x H x L)	31 mm x 18.3 mm x 45.5 mm
Housing material	Metal
Metal housing	Diecast aluminum
Lens cover material	Plastic / PMMA
Net weight	9 g
Housing color	Red
	Silver
Type of fastening	Fastening thread

Operation and display

Type of display	LED
Number of LEDs	2 Piece(s)
Type of configuration	Software

Environmental data

Ambient temperature, operation	0 ... 50 °C
Ambient temperature, storage	-20 ... 60 °C
Relative humidity (non-condensing)	5 ... 95 %
Extraneous light protection, max.	100,000 lx

Certifications

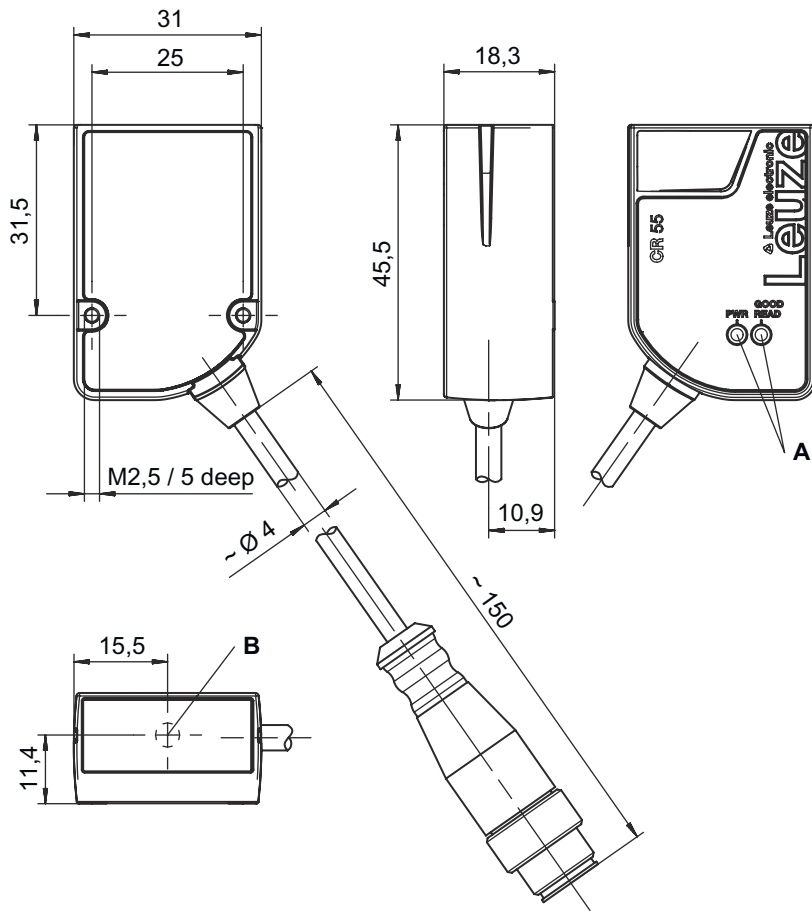
Degree of protection	IP 54
Approvals	cUR us

Classification

Customs tariff number	84719000
ECLASS 5.1.4	27280102
ECLASS 8.0	27280102
ECLASS 9.0	27280102
ECLASS 10.0	27280102
ECLASS 11.0	27280102
ECLASS 12.0	27280102
ECLASS 13.0	27280102
ECLASS 14.0	27280102
ECLASS 15.0	27280102
ECLASS 16.0	27280102
ETIM 5.0	EC002550
ETIM 6.0	EC002550
ETIM 7.0	EC002550
ETIM 8.0	EC002550
ETIM 9.0	EC002550
ETIM 10.0	EC002550
UNSPSC 26.08	43211701

Dimensioned drawings

All dimensions in millimeters



- A Status LEDs
 - B Receiving optics and LED scanning line
- Max. thread depth of the M2,5 fastening screws in the housing: **5mm!**

Electrical connection

Connection 1

Function	Data interface
	Signal IN
	Signal OUT
	Voltage supply
Type of connection	Cable
Cable length	2,000 mm
Sheathing material	PVC
Cable color	Black
Number of conductors	6 -wire
Wire cross section	0.081 mm ²

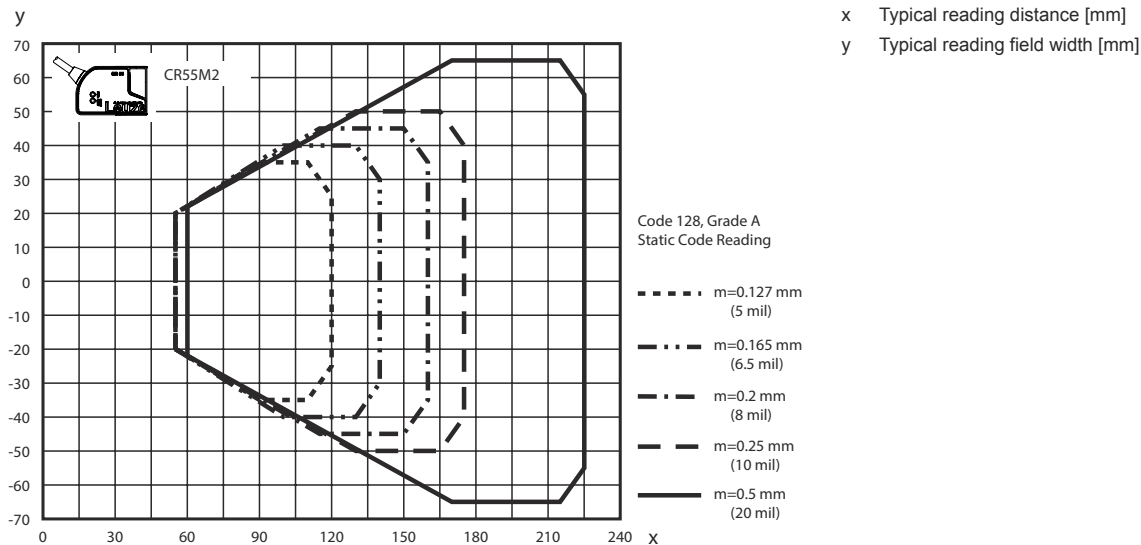
Conductor color

Conductor assignment

Red	V+
Violet	GND
Black	OUT 1
Orange	IN 1
White	RS 232 RxD
Green	RS 232 TxD

Diagrams

Reading field



Operation and display

LED	Display	Meaning
1 PWR	Green, continuous light	Operational readiness
2 GOOD READ	Green, briefly off - on	Reading successful

Notes

Observe intended use!

This product is not a safety sensor and is not intended as personnel protection.

The product may only be put into operation by competent persons.

Only use the product in accordance with its intended use.

Downloads

USB drivers for configuring are available on the Internet at www.leuze.com.


Call up the Leuze home page: www.leuze.com

Enter the type designation or part number of the device as the search term.

The "LeAnalysisCollectionSetup" driver can be found on the product page for the device under the **Downloads** tab.

Accessories

Start-up/diagnosis

	Part no.	Designation	Article	Description
	50128204	MA-CR	Module	Description: Adapter circuit board for laboratory and test purposes Type of interface: RS 232

Note



A list with all available accessories can be found on the Leuze website in the Download tab of the article detailed page.