

Technical data sheet

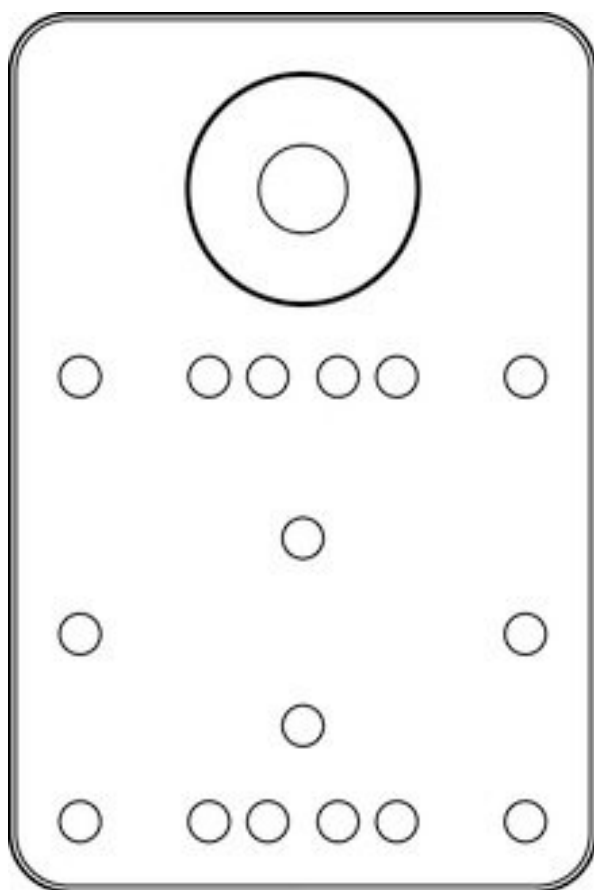
Mounting device

Part no.: 50149698

BTK IVS 1048

Contents

- Technical data
- Dimensioned drawings



For illustration purposes only

Technical data

Basic data

| | |
|----------------------------|-----------------------------|
| Suitable for product group | Industrial image processing |
| Suitable for | IVS 1000i & DCR 1000i |

Mechanical data

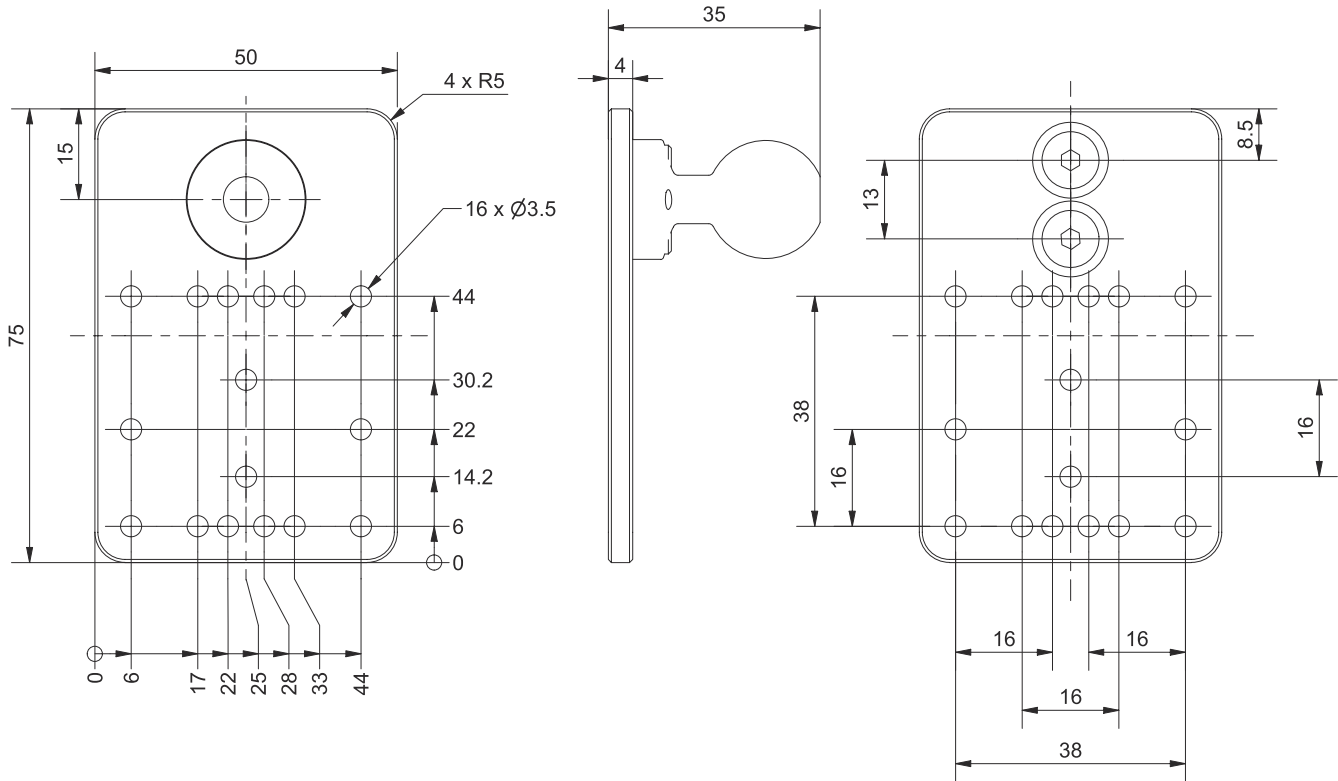
| | |
|------------------------------|----------------|
| Type of fastening, at system | Screw type |
| Type of fastening, at device | Spherical head |
| Mounting device material | Aluminum |

Classification

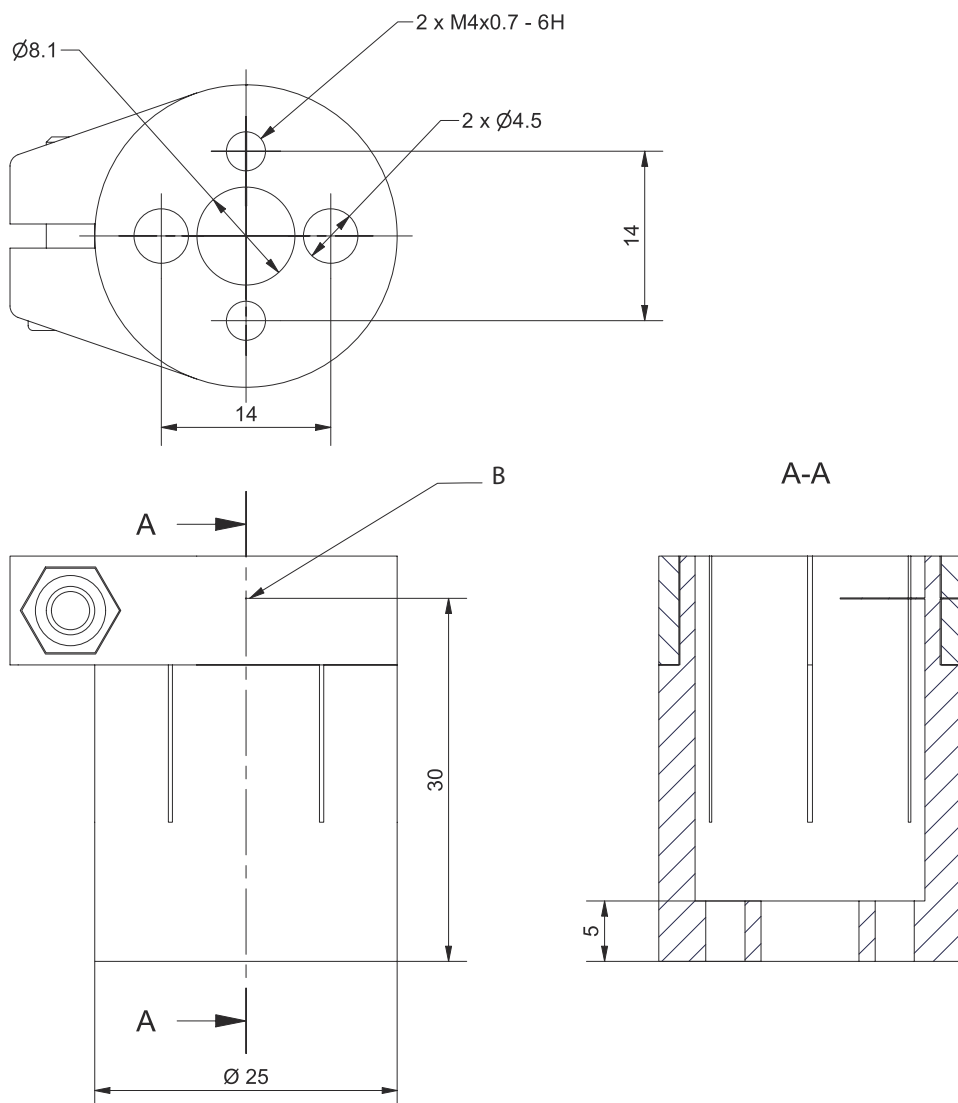
| | |
|-----------------------|----------|
| Customs tariff number | 76169990 |
| ECLASS 5.1.4 | 27279202 |
| ECLASS 8.0 | 27279202 |
| ECLASS 9.0 | 27273701 |
| ECLASS 10.0 | 27273701 |
| ECLASS 11.0 | 27273701 |
| ECLASS 12.0 | 27273701 |
| ECLASS 13.0 | 27273701 |
| ECLASS 14.0 | 27273701 |
| ECLASS 15.0 | 27273701 |
| ETIM 5.0 | EC002498 |
| ETIM 6.0 | EC003015 |
| ETIM 7.0 | EC003015 |
| ETIM 8.0 | EC003015 |
| ETIM 9.0 | EC003015 |
| ETIM 10.0 | EC003015 |

Dimensioned drawings

All dimensions in millimeters



Dimensioned drawings



B Spherical head pivot point