

## Technical data sheet

### Illumination

Part no.: 50151369

IL RL 070/130 IR 300

#### Contents

- Technical data
- Dimensioned drawings
- Electrical connection
- Operation and display
- Notes
- Accessories



For illustration purposes only



## Technical data

### Basic data

Type	Ring illumination
Suitable for	IVS 1000i & DCR 1000i

### Functions

Functions	Integrated power control Triggered operation
-----------	---

### Optical data

Light source	LED, Infrared
Wavelength	850 nm
Transmitted-signal shape	Pulsed
LED group	Exempt group (in acc. with EN 62471)
Opening angle, max.	30 °

### Electrical data

Protective circuit	Polarity reversal protection
--------------------	------------------------------

#### Performance data

Supply voltage $U_B$	18 ... 35 V, DC
Power consumption, max.	8.9 W, at 24 V DC

#### Inputs

Number of digital switching inputs	1 Piece(s)
------------------------------------	------------

#### Switching inputs

Voltage type	DC
Switching voltage	Trigger high 3.3 ... 35.0 V (high) / < 2.8V (low)

#### Digital switching input 1

Function	Trigger
----------	---------

### Connection

Number of connections	1 Piece(s)
-----------------------	------------

#### Connection 1

Function	Trigger Voltage supply
Type of connection	Connector
Thread size	M12
Type	Male
Material	Metal
No. of pins	4 -pin
Encoding	A-coded

### Mechanical data

Design	Ring
Thickness	29 mm
Outer diameter	130 mm
Inner diameter	70 mm
Housing material	Metal
Metal housing	Aluminium, anodized
Plastic housing	PC
Lens cover material	Plastic / PMMA
Housing color	Black

### Operation and display

Type of display	LED
Number of LEDs	1 Piece(s)
Operational controls	Rotary switch
Function of the operational control	Brightness Trigger

### Environmental data

Ambient temperature, operation	0 ... 40 °C
--------------------------------	-------------

### Certifications

Degree of protection	IP 67
Protection class	III
Approvals	c UL US

### Light area

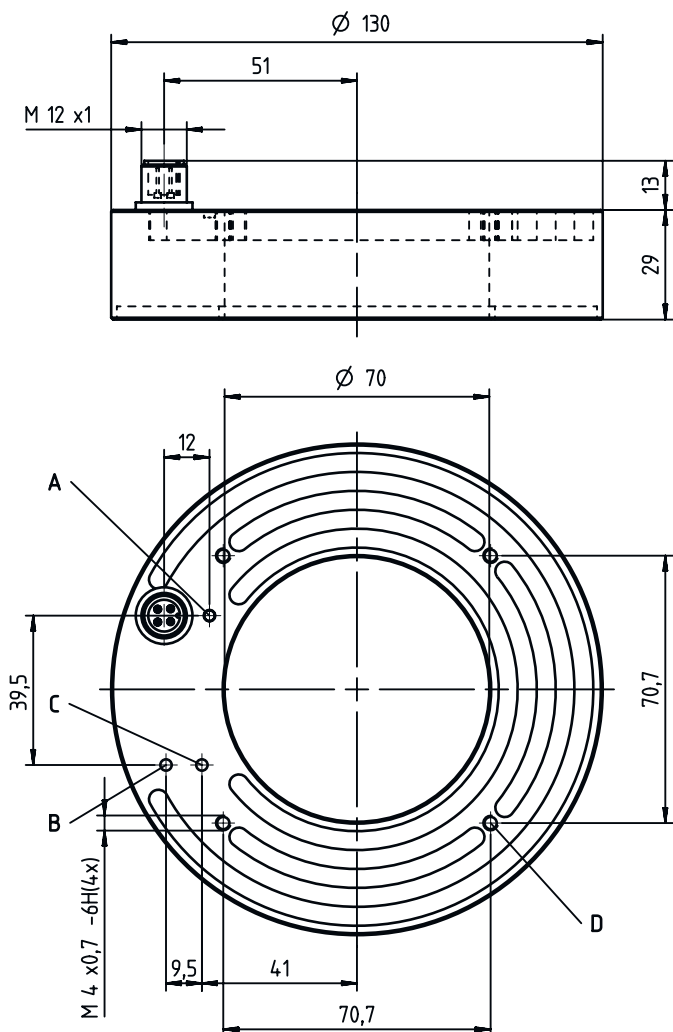
Width, active light area	100 mm x 100 mm
--------------------------	-----------------

### Classification

Customs tariff number	85395000
ECLASS 5.1.4	27310204
ECLASS 8.0	27310204
ECLASS 9.0	27310204
ECLASS 10.0	27310204
ECLASS 11.0	27310204
ECLASS 12.0	27310204
ECLASS 13.0	27310204
ECLASS 14.0	27310204
ECLASS 15.0	27310204
ETIM 5.0	EC002498
ETIM 6.0	EC003015
ETIM 7.0	EC003015
ETIM 8.0	EC003015
ETIM 9.0	EC003015
ETIM 10.0	EC003015

# Dimensioned drawings

All dimensions in millimeters



- A Green LED
- B Brightness
- C Trigger
- D M4 x 0,7 thread (8 mm deep)

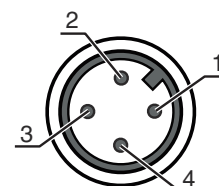
## Electrical connection

### Connection 1

Function	Trigger
	Voltage supply
Type of connection	Connector
Thread size	M12
Type	Male
Material	Metal
No. of pins	4 -pin
Encoding	A-coded

### Pin Pin assignment

1	V+
2	n.c.
3	GND
4	Trigger IN



# Operation and display

LED	Display	Meaning
1	Green, continuous light	Ready

## Notes

**Observe intended use!**

	<ul style="list-style-type: none"> <li>⌘ This product is not a safety sensor and is not intended as personnel protection.</li> <li>⌘ The product may only be put into operation by competent persons.</li> <li>⌘ Only use the product in accordance with its intended use.</li> </ul>
--	---

## Accessories

### Connection technology - Connection cables

	Part no.	Designation	Article	Description
	50130638	KD U-M12-3A-V1-050	Connection cable	Connection 1: Connector, M12, Axial, Female, 3 -pin Connector, LED: No Connection 2: Open end Shielded: No Cable length: 5.000 mm Sheathing material: PVC
	50130679	KD U-M12-3W-V1-050	Connection cable	Connection 1: Connector, M12, Angled, Female, 3 -pin Connector, LED: No Connection 2: Open end Shielded: No Cable length: 5.000 mm Sheathing material: PVC

### Connection technology - Interconnection cables

	Part no.	Designation	Article	Description
	50148539	KY IVS 1048-IL	Interconnection cable	Connection 1, function: Master connection Connection 1: Connector, M12, Axial, Male, A-coded, 12 -pin Connection 2: Connector, M12, Axial, Female, A-coded, 12 -pin Connection 3: Connector, M12, Axial, Male, A-coded, 4 -pin Shielded: Yes Cable length fork 1: 900 mm Cable length fork 2: 300 mm Cable length fork 3: 300 mm

**Note**

	<ul style="list-style-type: none"> <li>⌘ A list with all available accessories can be found on the Leuze website in the Download tab of the article detailed page.</li> </ul>
--	---