

## Technical data sheet

### Mounting bracket

Part no.: 53800132

BTF815M

#### Contents

- Technical data
- Dimensioned drawings



For illustration purposes only

## Technical data

### Basic data

Application	Mounting bracket for floor mounting
Suitable for	RSL 400 safety laser scanner

### Mechanical data

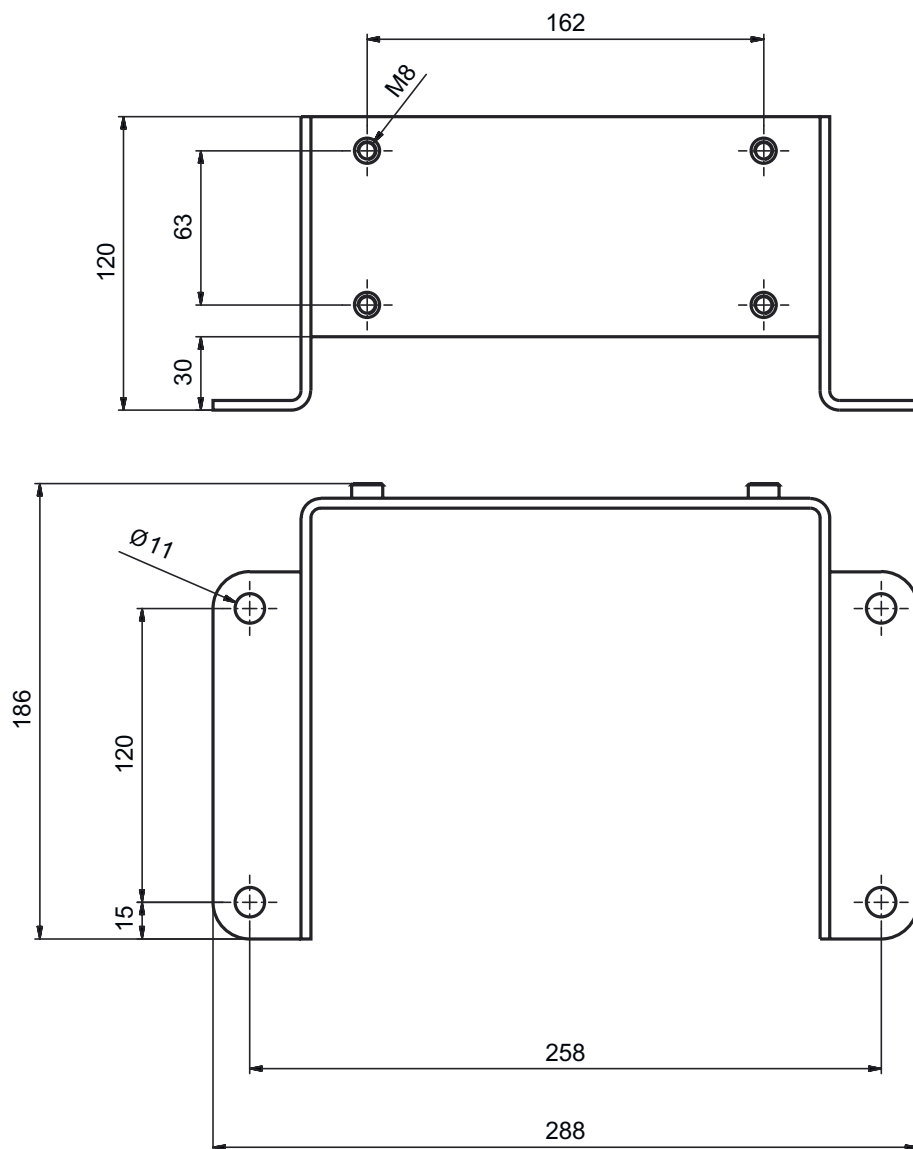
Dimension (W x H x L)	186 mm x 120 mm x 288 mm
Scan level height	150 mm
Net weight	2,130 g
Housing color	Yellow, RAL 1021
Type of fastening, at system	Through-hole mounting
Type of fastening, at device	Screw type
Mounting device material	Metal

### Classification

Customs tariff number	73182900
ECLASS 5.1.4	27279202
ECLASS 8.0	27279202
ECLASS 9.0	27273701
ECLASS 10.0	27273701
ECLASS 11.0	27273701
ECLASS 12.0	27273701
ECLASS 13.0	27273701
ECLASS 14.0	27273701
ECLASS 15.0	27273701
ETIM 5.0	EC002498
ETIM 6.0	EC003015
ETIM 7.0	EC003015
ETIM 8.0	EC003015
ETIM 9.0	EC003015
ETIM 10.0	EC003015

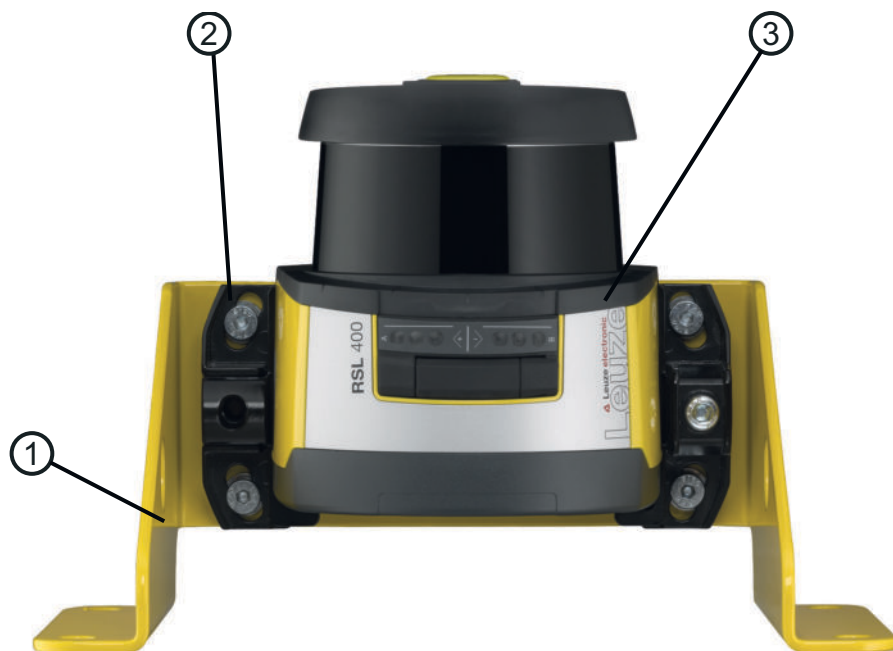
# Dimensioned drawings

All dimensions in millimeters



## Dimensioned drawings

Example: mounting on floor



- 1 BTF815M mounting bracket (only in combination with the BTU800M mounting system)
- 2 BTU800M mounting system
- 3 Safety sensor