

## Technical data sheet Safety locking device

Part no.: 50149763

L10-M4C1-KY

### Contents

- Technical data
- Dimensioned drawings
- Electrical connection



For illustration purposes only



## Technical data

### Basic data

Series	L10
--------	-----

### Functions

Functions	Locking device with guard interlocking according to ISO 14119 Mechanical guard interlocking (spring-force)
-----------	---

### Characteristic parameters

SIL	Up to 3, IEC 61508
SILCL	Up to 3, IEC/EN 62061
Performance Level (PL)	Up to and including e, EN ISO 13849-1
Mission time $T_M$	20 years, EN ISO 13849-1
$B_{10d}$	1,000,000 number of cycles

### Electrical data

Usage category at DC 13	Ue / Ie: 24 V / 3 A, 125 V / 0.55 A, 250 V / 0.3 A, EN 60947-5-1
Usage category at AC 15	Ue / Ie: 250 V / 6 A, 400 V / 4 A, 500 V / 1 A, EN 60947-5-1
Contact allocation	3NC
Contact allocation, actuator	-
Contact allocation, lock	3NC
Contact opening	Force-fit
Short circuit protected	500 V, 10 A, type aM, IEC 60269-1
Contact protection	Protective insulation O

#### Performance data

Rated insulation voltage	500 V AC, 600 V DC
Conventional thermal current, max.	10 A

### Connection

Number of connections	1 Piece(s)
-----------------------	------------

#### Connection 1

Function	Contact connection
Type of connection	Terminal
Type of terminal	Screw terminal
No. of pins	6 -pin

#### Cable properties

Connection cross sections	1 x 0.34 mm <sup>2</sup> to 2 x 1.5 mm <sup>2</sup> , wire
---------------------------	--

### Mechanical data

Design	Cubic
Dimension (W x H x L)	40 mm x 50.4 mm x 122.7 mm
Housing material	Metal
Electrical contact material	Silver alloy
Net weight	452 g
Housing color	Gray Red
Type of fastening	Through-hole mounting
Type of cable entry	PG 13.5
Switch type	Interlock device with guard interlocking, ISO 14119
Switching principle	Slow-action contact
Approach actuation directions	1 x top 4 x side (90°)
Approach speed	0.001 ... 0.5 m/s
Locking type	Mechanical
Locking actuation	Manual unlocking by means of key
Locking force, max.	1,000 N
Mechanical life time	500,000 actuation cycles, IEC 60947-5-1
Actuation frequency, max.	3,600 per hour, IEC 60947-5-1
External actuator	AC-AHxx, series, straight, angled, resilient, alignable
Extraction force, unlocked actuator	30 N
Recoil tolerance	4.5 mm

### Environmental data

Ambient temperature, operation	-25 ... 80 °C
Degree of contamination	3, EN 60947-1

### Certifications

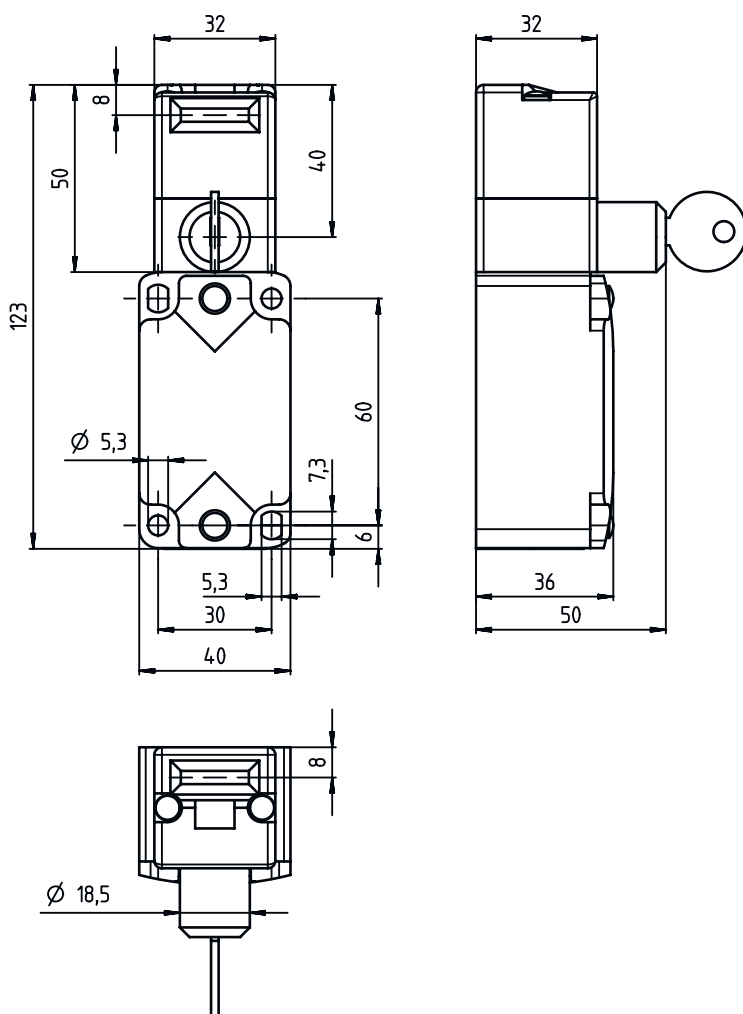
Degree of protection	IP 67
Approvals	c UL US IMQ

### Classification

Customs tariff number	85369095
ECLASS 5.1.4	27272603
ECLASS 8.0	27272603
ECLASS 9.0	27272603
ECLASS 10.0	27272603
ECLASS 11.0	27272603
ECLASS 12.0	27272603
ECLASS 13.0	27272603
ECLASS 14.0	27272603
ECLASS 15.0	27272603
ETIM 5.0	EC002593
ETIM 6.0	EC002593
ETIM 7.0	EC002593
ETIM 8.0	EC002593
ETIM 9.0	EC002593
ETIM 10.0	EC002593

## Dimensioned drawings

All dimensions in millimeters



## Electrical connection

### Connection 1

Function	Contact connection
Type of connection	Terminal
Type of terminal	Screw terminal
No. of pins	6 -pin

Terminal	Assignment
11	NC(1)
12	NC(1)
21	NC(2)
22	NC(2)
33	NC(3)
34	NC(3)