

## Technical data sheet

## Tower light element

Part no.: 50135464

A7-MP1-250

### Contents

- Technical data
- Dimensioned drawings
- Electrical connection
- Notes
- Accessories



For illustration purposes only



## Technical data

### Basic data

|        |    |
|--------|----|
| Series | A7 |
|--------|----|

### Connection

#### Connection 1

|                    |                           |
|--------------------|---------------------------|
| Type of connection | Terminal                  |
| Type of terminal   | Tension spring technology |

### Mechanical data

|                              |                         |
|------------------------------|-------------------------|
| Design                       | Cylindrical             |
| Dimension (Ø x L)            | 70 mm x 282 mm          |
| Housing material             | Metal                   |
|                              | Plastic                 |
| Net weight                   | 243 g                   |
| Housing color                | Black                   |
|                              | Gray                    |
| Design of mounting device    | Base mounting           |
| Type of fastening, at system | Screw type / horizontal |
| Module holder                | One side                |
| Number of end caps           | 1 Piece(s)              |

### Environmental data

|                                |               |
|--------------------------------|---------------|
| Ambient temperature, operation | -10 ... 60 °C |
|--------------------------------|---------------|

### Certifications

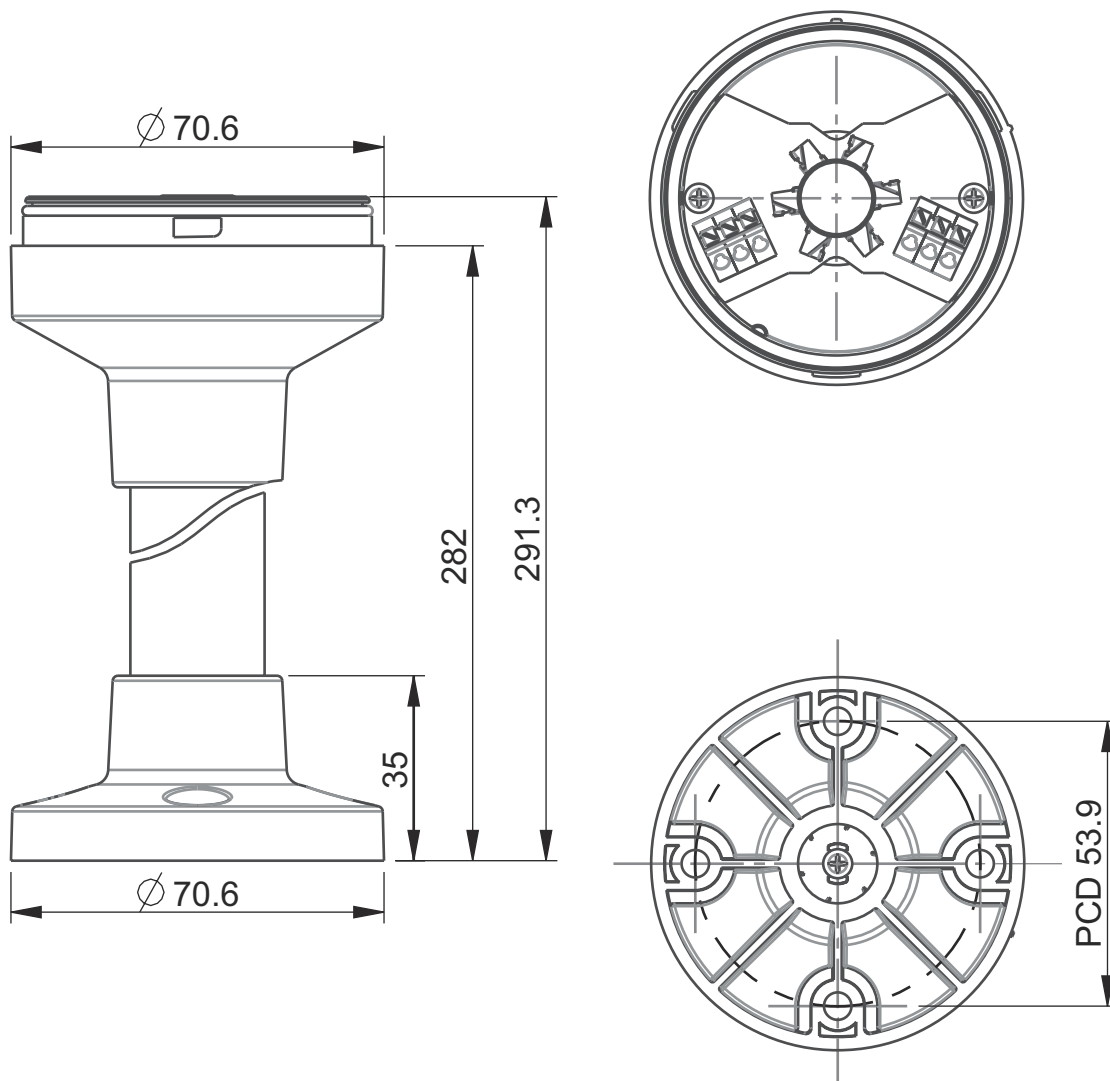
|                      |       |
|----------------------|-------|
| Degree of protection | IP 66 |
| Approvals            | CE    |
|                      | CSA   |

### Classification

|                       |          |
|-----------------------|----------|
| Customs tariff number | 85318070 |
| ECLASS 5.1.4          | 27371234 |
| ECLASS 8.0            | 27371234 |
| ECLASS 9.0            | 27371234 |
| ECLASS 10.0           | 27371234 |
| ECLASS 11.0           | 27371234 |
| ECLASS 12.0           | 27371234 |
| ECLASS 13.0           | 27371234 |
| ECLASS 14.0           | 27371234 |
| ECLASS 15.0           | 27371234 |
| ETIM 5.0              | EC001259 |
| ETIM 6.0              | EC001259 |
| ETIM 7.0              | EC001259 |
| ETIM 8.0              | EC001259 |
| ETIM 9.0              | EC001259 |
| ETIM 10.0             | EC001259 |

## Dimensioned drawings

All dimensions in millimeters



## Electrical connection

### Connection 1

|                    |                           |
|--------------------|---------------------------|
| Function           | Voltage supply            |
| Type of connection | Terminal                  |
| Type of terminal   | Tension spring technology |
| No. of pins        | 6 -pin                    |

### Terminal

### Assignment

|     |               |
|-----|---------------|
| B   | Blue          |
| G   | Green         |
| A   | orange/yellow |
| R   | Red           |
| 0 V | GND           |
| W   | white/buzzer  |

## Notes




**Observe intended use!**






- ⌘ This product is not a safety sensor and is not intended as personnel protection.
- ⌘ The product may only be put into operation by competent persons.
- ⌘ Only use the product in accordance with its intended use.

## Accessories

### Muting - Mounting systems

|  | Part no. | Designation | Article             | Description   |
|--|----------|-------------|---------------------|---|
|  | 50142896 | A7-MW2      | Tower light element | Design: L shape<br>Version: Angle, L-shape<br>Fastening, at system: Through-hole mounting |

## General

|  | Part no. | Designation  | Article             | Description   |
|--|----------|--------------|---------------------|---|
|  | 50135462 | A7-V1-BZ1-M  | Tower light element | Signaling: Acoustic<br>Current consumption, max.: 70 mA<br>Design: Cylindrical<br>Diameter: 70 mm<br>Fastening: Bayonet system<br>Operational controls: DIP switch, 225° potentiometer<br>Ambient temperature: -10 ... 60 °C<br>Degree of protection: IP 66<br>Tone type: Continuous or pulse tone<br>Sound pressure: 100 dB<br>Number of tones: 8 Piece(s) |
|  | 50138151 | A7-V1-BZ2-S  | Tower light element | Signaling: Acoustic<br>Current consumption, max.: 30 mA<br>Design: Cylindrical<br>Diameter: 70 mm<br>Fastening: Bayonet system<br>Operational controls: 225° potentiometer<br>Ambient temperature: -10 ... 60 °C<br>Degree of protection: IP 66<br>Tone type: Continuous tone<br>Sound pressure: 105 dB<br>Number of tones: 1 Piece(s)                      |
|  | 50135457 | A7-V1-DS-R-T | Tower light element | Signaling: Optical<br>Current consumption, max.: 50 mA<br>Design: Cylindrical<br>Diameter: 70 mm<br>Fastening: Bayonet system<br>Illuminant: LED/24V<br>Signal image: Continuous light<br>Lens color: Red<br>Angle of radiation: 360°<br>Ambient temperature: -10 ... 60 °C<br>Degree of protection: IP 66  |

## Accessories

### Note



🔗 A list with all available accessories can be found on the Leuze website in the Download tab of the article detailed page.