

Technical data sheet

Fieldbus gateway

Part no.: 50132999

MSI-FB-ETHERCAT

Contents

- Technical data
- Dimensioned drawings
- Electrical connection
- Circuit diagrams
- Notes



For illustration purposes only



Technical data

Basic data

Series	MSI-FB
Type	Fieldbus gateway
Application	Transfer of MSI 400 diagnostic data via ETHERCAT

Functions

Functions	Fieldbus module for the MSI 400 for connecting to ETHERCAT
-----------	--

Electrical data

Performance data

Power consumption, max.	2.4 W
-------------------------	-------

Output circuit

Interface

Type	Internal bus (SBUS+), EtherCAT
------	--------------------------------

EtherCAT

Function	Process
----------	---------

Connection

Number of connections	2 Piece(s)
-----------------------	------------

Connection 1

Function	BUS IN
Type of connection	RJ45

Connection 2

Function	BUS OUT
Type of connection	RJ45

Mechanical data

Dimension (W x H x L)	22.5 mm x 96.5 mm x 121 mm
Net weight	120 g
Housing color	Gray
Type of fastening	Snap-on mounting

Environmental data

Ambient temperature, operation	-25 ... 55 °C
Ambient temperature, storage	-25 ... 70 °C
Relative humidity (non-condensing)	10 ... 95 %

Certifications

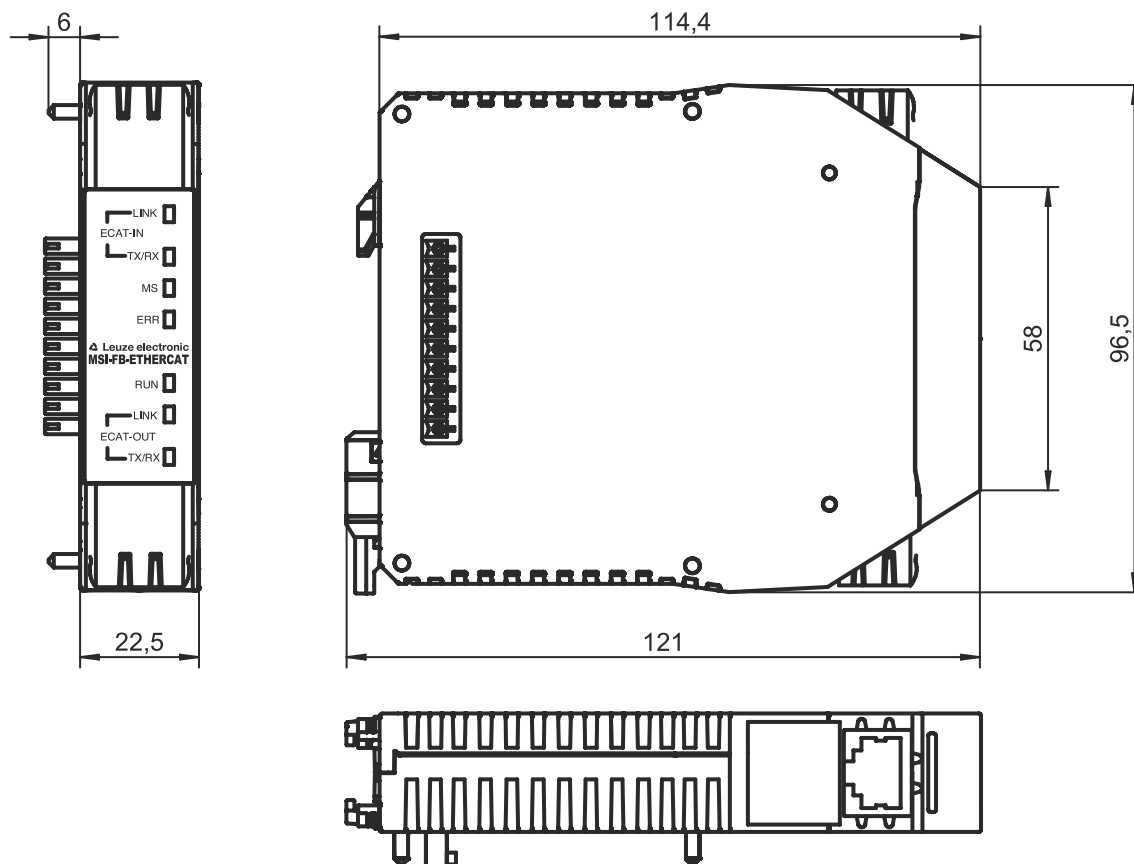
Degree of protection	IP 20
Approvals	c UL US
Vibration resistance	5 ... 150 Hz
Test procedure for oscillation in accordance with standard	EN 60068-2-6
Shock resistance, single shock	30 g, 11 ms, EN 60068-2-27
Shock resistance, continuous shock	10 g, 16 ms, EN 60068-2-29

Classification

Customs tariff number	85371091
ECLASS 5.1.4	27242208
ECLASS 8.0	27242208
ECLASS 9.0	27242208
ECLASS 10.0	27242208
ECLASS 11.0	27242208
ECLASS 12.0	27242208
ECLASS 13.0	27242208
ECLASS 14.0	27242208
ECLASS 15.0	27242208
ETIM 5.0	EC001423
ETIM 6.0	EC001423
ETIM 7.0	EC001423
ETIM 8.0	EC001423
ETIM 9.0	EC001423
ETIM 10.0	EC001423

Dimensioned drawings

All dimensions in millimeters



Electrical connection

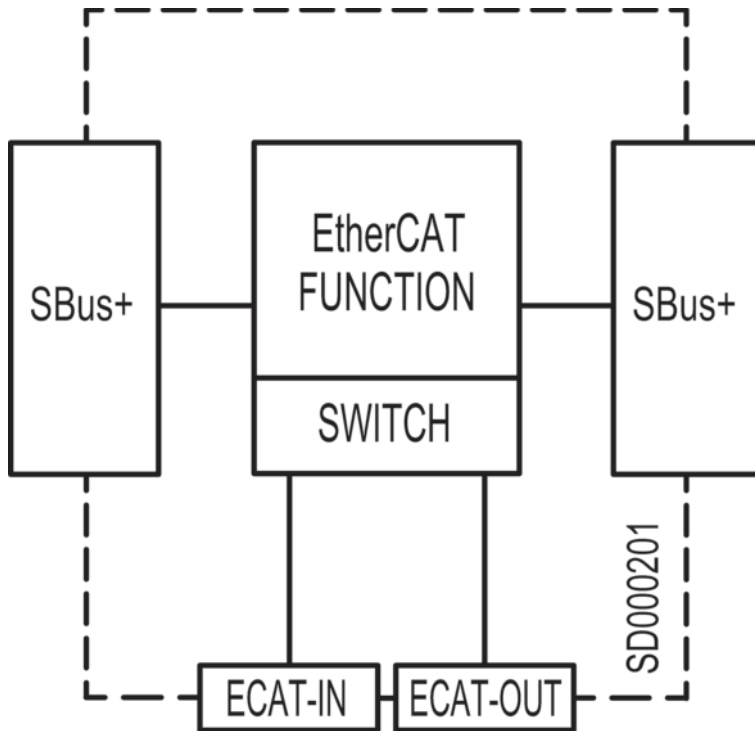
Connection 1

Function	BUS IN
Type of connection	RJ45

Connection 2

Function	BUS OUT
Type of connection	RJ45

Circuit diagrams



Notes



Observe intended use!



- ⌘ The product may only be put into operation by competent persons.
- ⌘ Only use the product in accordance with its intended use.