

Technical data sheet

Y distribution box

Part no.: 50135993

YV U-SDD-25-25-25-X01

Contents

- Technical data
- Dimensioned drawings
- Electrical connection
- Accessories



For illustration purposes only



Technical data

Basic data

| | |
|-------------|---|
| Order guide | Please observe the circuit diagram acc. to the data sheet |
|-------------|---|

Connection

| | |
|-----------------------|------------|
| Number of connections | 3 Piece(s) |
|-----------------------|------------|

Connection 1

| | |
|--------------------|-----------|
| Type of connection | Connector |
| Thread size | M12 |
| Type | Female |
| No. of pins | 5 -pin |
| Encoding | A-coded |
| Version | Axial |

Connection 2

| | |
|--------------------|-----------|
| Type of connection | Connector |
| Thread size | M12 |
| Type | Female |
| No. of pins | 5 -pin |
| Encoding | A-coded |
| Version | Axial |

Connection 3

| | |
|--------------------|-----------|
| Type of connection | Connector |
| Thread size | M12 |
| Type | Male |
| No. of pins | 5 -pin |
| Encoding | A-coded |
| Version | Axial |

Cable properties

| | |
|----------|----|
| Shielded | No |
|----------|----|

Mechanical data

| | |
|-----------------------|-----------------------|
| Design | Cubic |
| Dimension (W x H x L) | 36 mm x 16 mm x 45 mm |
| Width across flats | 13 mm |
| Material | PUR |

Environmental data

| | |
|--------------------------------|---------------|
| Ambient temperature, operation | -25 ... 85 °C |
|--------------------------------|---------------|

Certifications

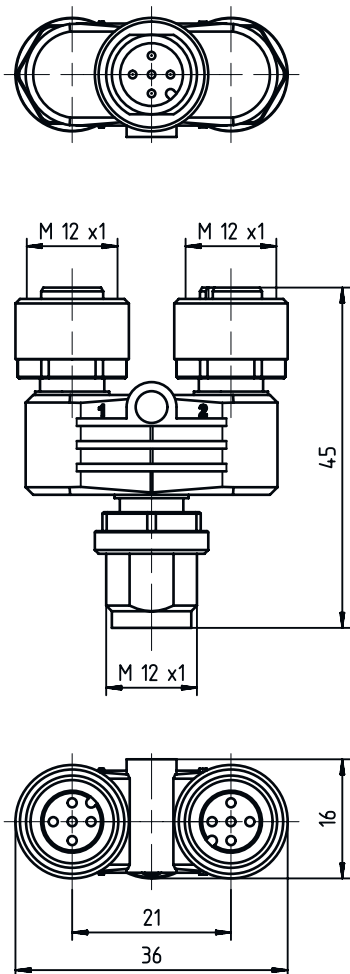
| | |
|----------------------|-------|
| Degree of protection | IP 67 |
|----------------------|-------|

Classification

| | |
|-----------------------|----------|
| Customs tariff number | 85366990 |
| ECLASS 5.1.4 | 27279201 |
| ECLASS 8.0 | 27440104 |
| ECLASS 9.0 | 27069190 |
| ECLASS 10.0 | 27440111 |
| ECLASS 11.0 | 27440111 |
| ECLASS 12.0 | 27440111 |
| ECLASS 13.0 | 27440111 |
| ECLASS 14.0 | 27440111 |
| ECLASS 15.0 | 27440111 |
| ETIM 5.0 | EC002498 |
| ETIM 6.0 | EC002925 |
| ETIM 7.0 | EC002925 |
| ETIM 8.0 | EC003558 |
| ETIM 9.0 | EC003558 |
| ETIM 10.0 | EC003558 |

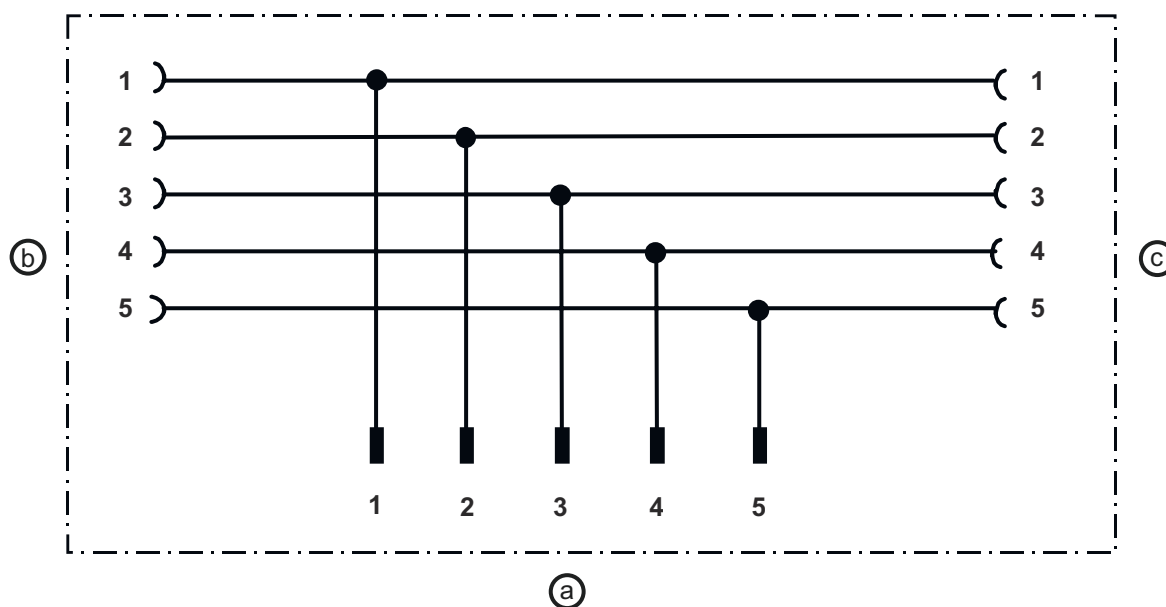
Dimensioned drawings

All dimensions in millimeters



Dimensioned drawings

Circuit diagram



- a Connection 3, M12 connector
- b Connection 1, M12 socket
- c Connection 2, M12 socket

Electrical connection

Connection 1

| | |
|--------------------|-----------|
| Type of connection | Connector |
| Thread size | M12 |
| Type | Female |
| No. of pins | 5 -pin |
| Encoding | A-coded |
| Version | Axial |

Connection 2

| | |
|--------------------|-----------|
| Type of connection | Connector |
| Thread size | M12 |
| Type | Female |
| No. of pins | 5 -pin |
| Encoding | A-coded |
| Version | Axial |

Connection 3

| | |
|--------------------|-----------|
| Type of connection | Connector |
| Thread size | M12 |
| Type | Male |
| No. of pins | 5 -pin |
| Encoding | A-coded |
| Version | Axial |

Accessories

General

| | Part no. | Designation | Article | Description |
|--|----------|---------------|---------|---|
|  | 50132266 | TT-Set 0,6-13 | Tool | Type: Torque key Width across flats: 13 mm Torque: 0.6 N·m Material: Plastic, Stainless steel Ambient temperature: -40 ... 120 °C |

Note



A list with all available accessories can be found on the Leuze website in the Download tab of the article detailed page.