

Technical data sheet

Connection unit

Part no.: 50134927

ME 338 104

Contents

- Technical data
- Dimensioned drawings
- Electrical connection
- Operation and display



For illustration purposes only



Technical data

Basic data

| | |
|--------------|----------|
| Suitable for | BCL 338i |
|--------------|----------|

Interface

| | |
|------|--------------------|
| Type | EtherCAT, EtherCAT |
|------|--------------------|

Connection

| | |
|-----------------------|------------|
| Number of connections | 5 Piece(s) |
|-----------------------|------------|

Connection 1

| | |
|--------------------|----------------------|
| Function | PWR / SW IN / OUT |
| Type of connection | Cable with connector |
| Thread size | M12 |
| Type | Male |
| Material | Metal |
| No. of pins | 5 -pin |
| Encoding | A-coded |

Connection 2

| | |
|--------------------|-------------------|
| Function | Service interface |
| Type of connection | USB |
| Connector type | USB 2.0 Mini-B |

Connection 3

| | |
|--------------------|----------------------|
| Function | HOST / BUS IN |
| Type of connection | Cable with connector |
| Thread size | M12 |
| Type | Female |
| Material | Metal |
| No. of pins | 4 -pin |
| Encoding | D-coded |

Connection 4

| | |
|--------------------|----------------------|
| Function | BUS OUT |
| Type of connection | Cable with connector |
| Thread size | M12 |
| Type | Female |
| Material | Metal |
| No. of pins | 4 -pin |
| Encoding | D-coded |

Connection 5

| | |
|--------------------|----------------------|
| Function | Signal OUT |
| Type of connection | Cable with connector |
| Thread size | M8 |
| Type | Female |
| Material | Metal |
| No. of pins | 4 -pin |
| Encoding | A-coded |
| Cable length | 2,000 |

Mechanical data

| | |
|-----------------------|---------------------------|
| Design | Cubic |
| Dimension (W x H x L) | 64 mm x 33.5 mm x 43.5 mm |
| Housing material | Metal |
| Metal housing | Diecast aluminum |
| Net weight | 70 g |
| Housing color | Red, RAL 3000 |

Operation and display

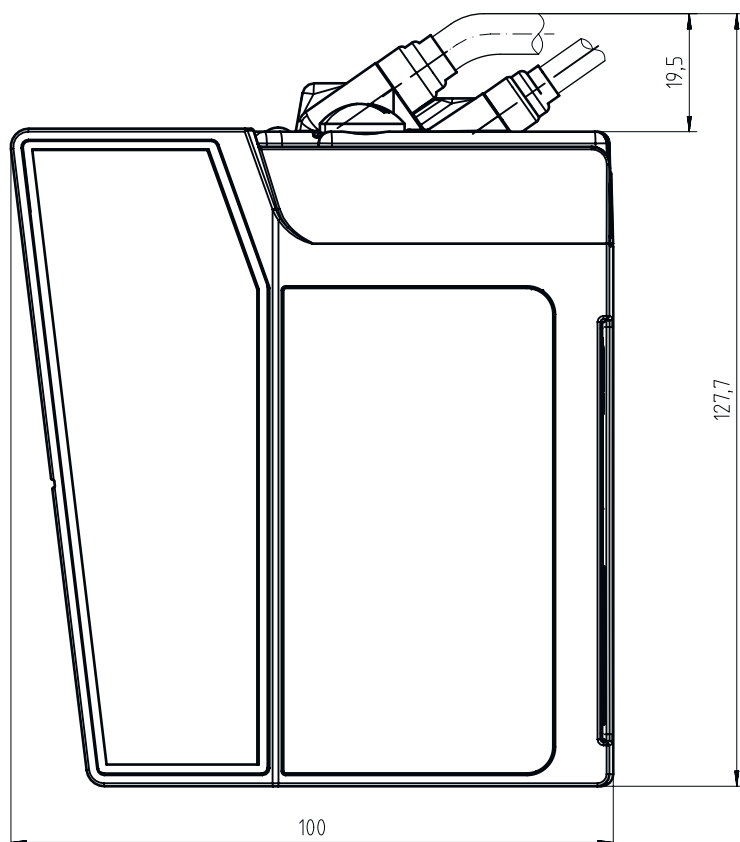
| | |
|-----------------|------------|
| Type of display | LED |
| Number of LEDs | 2 Piece(s) |

Classification

| | |
|-----------------------|----------|
| Customs tariff number | 84733080 |
| ECLASS 5.1.4 | 27280190 |
| ECLASS 8.0 | 27280190 |
| ECLASS 9.0 | 27279090 |
| ECLASS 10.0 | 27280192 |
| ECLASS 11.0 | 27280191 |
| ECLASS 12.0 | 27280191 |
| ECLASS 13.0 | 27280191 |
| ECLASS 14.0 | 27280191 |
| ECLASS 15.0 | 27280191 |
| ETIM 5.0 | EC002498 |
| ETIM 6.0 | EC003015 |
| ETIM 7.0 | EC003015 |
| ETIM 8.0 | EC003015 |
| ETIM 9.0 | EC003015 |
| ETIM 10.0 | EC003015 |

Dimensioned drawings

All dimensions in millimeters



Electrical connection

Connection 1

| | |
|--------------------|----------------------|
| Function | PWR / SW IN / OUT |
| Type of connection | Cable with connector |
| Cable length | 900 mm |
| Cable color | Black |
| Wire cross section | 0.34 mm ² |
| Thread size | M12 |
| Type | Male |
| Material | Metal |
| No. of pins | 5 -pin |
| Encoding | A-coded |

| Pin | Pin assignment |
|-----|----------------|
| 1 | VIN |
| 2 | SWIO 1 |
| 3 | GNDIN |
| 4 | SWIO 2 |
| 5 | FE |

Electrical connection

Connection 2

| | |
|--------------------|-------------------|
| Function | Service interface |
| Type of connection | USB |
| Connector type | USB 2.0 Mini-B |

Connection 3

| | |
|--------------------|----------------------|
| Function | HOST / BUS IN |
| Type of connection | Cable with connector |
| Cable length | 500 mm |
| Sheathing material | PUR |
| Cable color | Green |
| Wire cross section | 0.34 mm ² |
| Thread size | M12 |
| Type | Female |
| Material | Metal |
| No. of pins | 4 -pin |
| Encoding | D-coded |

Pin Pin assignment

| | |
|---|-----|
| 1 | TD+ |
| 2 | RD+ |
| 3 | TD- |
| 4 | RD- |

Connection 4

| | |
|--------------------|----------------------|
| Function | BUS OUT |
| Type of connection | Cable with connector |
| Wire cross section | 0.34 mm ² |
| Cable color | Green |
| Cable length | 700 mm |
| Sheathing material | PUR |
| Thread size | M12 |
| Type | Female |
| Material | Metal |
| No. of pins | 4 -pin |
| Encoding | D-coded |

Pin Pin assignment

| | |
|---|-----|
| 1 | TD+ |
| 2 | RD+ |
| 3 | TD- |
| 4 | RD- |

Connection 5

| | |
|--------------------|----------------------|
| Function | Signal OUT |
| Type of connection | Cable with connector |
| Thread size | M8 |
| Type | Female |
| Material | Metal |

Electrical connection

Connection 5

| | |
|--------------------|---------|
| No. of pins | 4 -pin |
| Encoding | A-coded |
| Wire cross section | 0.34 |
| Cable color | Black |
| Cable length | 2,000 |
| Sheathing material | PUR |

| Pin | Pin assignment |
|-----|----------------|
| 1 | V+ |
| 2 | n.c. |
| 3 | GND |
| 4 | SW OUT |

Operation and display

| LED | Display | Meaning |
|-----|-------------------------|--------------------------|
| 1 | Green, continuous light | Ethernet |
| | Yellow, flashing | Data transmission active |
| 2 | Green, continuous light | Ethernet |
| | Yellow, flashing | Data transmission active |