

Technical data sheet

Connection unit

Part no.: 50134928

ME 338 214

Contents

- Technical data
- Dimensioned drawings
- Electrical connection
- Operation and display



For illustration purposes only



Technical data

Basic data

Suitable for	BCL 338i
--------------	----------

Interface

Type	EtherCAT, EtherCAT
------	--------------------

Connection

Number of connections	5 Piece(s)
-----------------------	------------

Connection 1

Function	PWR / SW IN / OUT
Type of connection	Cable with connector
Thread size	M12
Type	Male
Material	Metal
No. of pins	5 -pin
Encoding	A-coded

Connection 2

Function	Service interface
Type of connection	USB
Connector type	USB 2.0 Mini-B

Connection 3

Function	HOST / BUS IN
Type of connection	Cable with RJ45 socket

Connection 4

Function	BUS OUT
Type of connection	Cable with RJ45 socket

Connection 5

Function	Signal OUT
Type of connection	Cable with connector
Thread size	M8
Type	Female
Material	Metal
No. of pins	4 -pin
Encoding	A-coded
Cable length	300

Mechanical data

Design	Cubic
Dimension (W x H x L)	64 mm x 33.5 mm x 43.5 mm
Housing material	Metal
Metal housing	Diecast aluminum
Net weight	70 g
Housing color	Red, RAL 3000

Operation and display

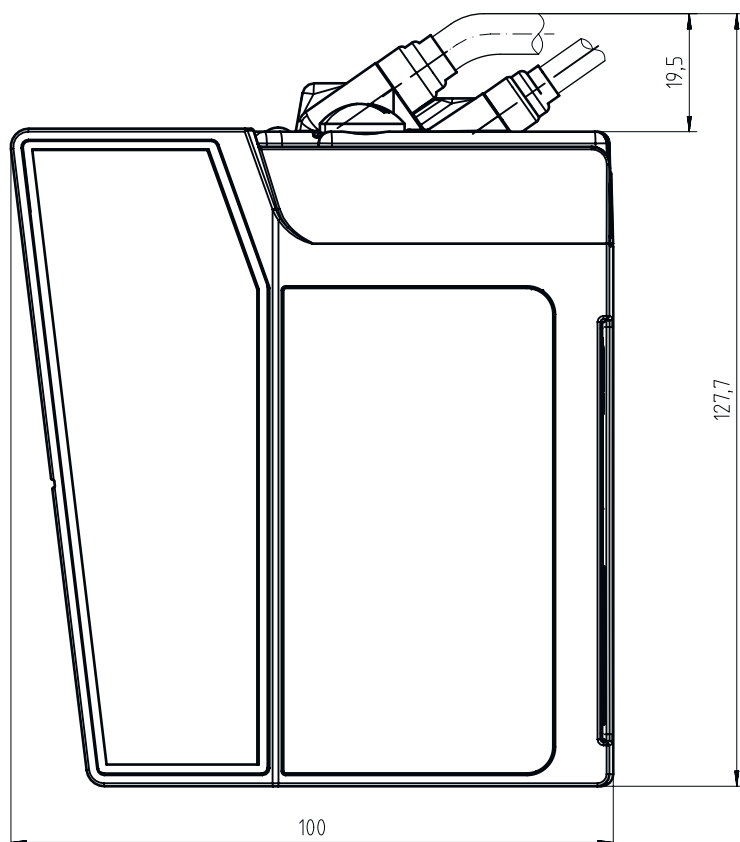
Type of display	LED
Number of LEDs	2 Piece(s)

Classification

Customs tariff number	84733080
ECLASS 5.1.4	27280190
ECLASS 8.0	27280190
ECLASS 9.0	27279090
ECLASS 10.0	27280192
ECLASS 11.0	27280191
ECLASS 12.0	27280191
ECLASS 13.0	27280191
ECLASS 14.0	27280191
ECLASS 15.0	27280191
ETIM 5.0	EC002498
ETIM 6.0	EC003015
ETIM 7.0	EC003015
ETIM 8.0	EC003015
ETIM 9.0	EC003015
ETIM 10.0	EC003015

Dimensioned drawings

All dimensions in millimeters



Electrical connection

Connection 1

Function	PWR / SW IN / OUT
Type of connection	Cable with connector
Cable length	600 mm
Cable color	Black
Wire cross section	0.34 mm ²
Thread size	M12
Type	Male
Material	Metal
No. of pins	5 -pin
Encoding	A-coded

Pin Pin assignment

1	VIN
2	SWIO 1
3	GNDIN
4	SWIO 2
5	FE

Electrical connection

Connection 2

Function	Service interface
Type of connection	USB
Connector type	USB 2.0 Mini-B

Connection 3

Function	HOST / BUS IN
Type of connection	Cable with RJ45 socket
Cable length	400 mm

Pin Pin assignment

1	TD+
2	RD+
3	TD-
4	n.c.
5	RD-
6	n.c.
7	n.c.
8	n.c.

Connection 4

Function	BUS OUT
Type of connection	Cable with RJ45 socket
Cable length	500 mm

Pin Pin assignment

1	TD+
2	RD+
3	TD-
4	n.c.
5	n.c.
6	RD-
7	n.c.
8	n.c.

Connection 5

Function	Signal OUT
Type of connection	Cable with connector
Thread size	M8
Type	Female
Material	Metal
No. of pins	4 -pin
Encoding	A-coded
Wire cross section	0.34
Cable color	Black
Cable length	300
Sheathing material	PUR

Pin Pin assignment

1	V+
2	n.c.
3	GND
4	SW OUT

Operation and display

LED	Display	Meaning
1	Green, continuous light	Ethernet
	Yellow, flashing	Data transmission active
2	Green, continuous light	Ethernet
	Yellow, flashing	Data transmission active