

Technical data sheet

Connection unit

Part no.: 50116471

MS 348

Contents

- Technical data
- Dimensioned drawings
- Electrical connection
- Operation and display



For illustration purposes only



Technical data

Basic data

Suitable for	BCL 348i
	BPS 348i

Electrical data

Performance data

Supply voltage U _B	18 ... 30 V, DC, (PELV, class 2)
-------------------------------	----------------------------------

Interface

Type	PROFINET
------	----------

Service interface

Type	USB 2.0
------	---------

Connection

Number of connections	4 Piece(s)
-----------------------	------------

Connection 1

Function	PWR / SW IN / OUT
Type of connection	Connector
Thread size	M12
Type	Male
Material	Metal
No. of pins	5 -pin
Encoding	A-coded

Connection 2

Function	Service interface
Type of connection	USB
Connector type	USB 2.0 Mini-B

Connection 3

Function	HOST / BUS IN
Type of connection	Connector
Thread size	M12
Type	Female
Material	Metal
No. of pins	4 -pin
Encoding	D-coded

Connection 4

Function	BUS OUT
Type of connection	Connector
Thread size	M12
Type	Female
Material	Metal
No. of pins	4 -pin
Encoding	D-coded

Mechanical data

Design	Cubic
Dimension (W x H x L)	64 mm x 33.5 mm x 43.5 mm
Housing material	Metal
Metal housing	Diecast aluminum
Net weight	74 g
Housing color	Red

Operation and display

Type of display	LED
Number of LEDs	2 Piece(s)

Environmental data

Ambient temperature, storage	0 ... 40 °C
Relative humidity (non-condensing)	90 %

Certifications

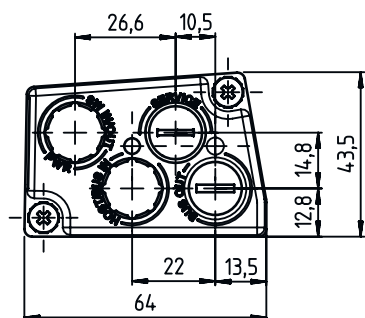
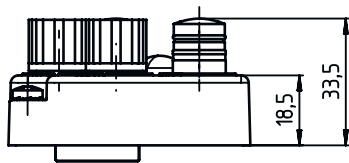
Degree of protection	IP 65, Only for screwed M12 plugs or screwed cable glands and mounted caps. Minimum tightening torque of the housing connecting screw of the connection hood is 1.4 Nm!
Protection class	III
Test procedure for EMC in accordance with standard	EN 61000-6-2 EN 61000-6-4
Test procedure for shock in accordance with standard	IEC 60068-2-27, test Ea
Test procedure for continuous shock in accordance with standard	IEC 60068-2-27, test Ea
Test procedure for vibration in accordance with standard	IEC 60068-2-6, test Fc

Classification

Customs tariff number	84733080
ECLASS 5.1.4	27280190
ECLASS 8.0	27280190
ECLASS 9.0	27279090
ECLASS 10.0	27280192
ECLASS 11.0	27280191
ECLASS 12.0	27280191
ECLASS 13.0	27280191
ECLASS 14.0	27280191
ECLASS 15.0	27280191
ECLASS 16.0	27280191
ETIM 5.0	EC002498
ETIM 6.0	EC003015
ETIM 7.0	EC003015
ETIM 8.0	EC003015
ETIM 9.0	EC003015
ETIM 10.0	EC003015
UNSPSC 26.08	31242100

Dimensioned drawings

All dimensions in millimeters



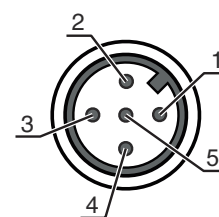
Electrical connection

Connection 1

Function	PWR / SW IN / OUT
Type of connection	Connector
Thread size	M12
Type	Male
Material	Metal
No. of pins	5 -pin
Encoding	A-coded

Pin	Pin assignment
-----	----------------

1	VIN
2	SWIO 1
3	GNDIN
4	SWIO 2
5	FE

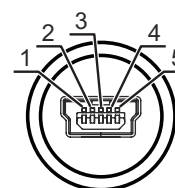


Connection 2

Function	Service interface
Type of connection	USB
Connector type	USB 2.0 Mini-B

Pin	Pin assignment
-----	----------------

1	VB
2	D-
3	D+
4	ID
5	GND



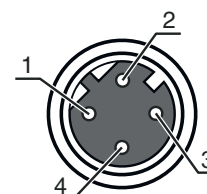
Electrical connection

Connection 3

Function	HOST / BUS IN
Type of connection	Connector
Thread size	M12
Type	Female
Material	Metal
No. of pins	4 -pin
Encoding	D-coded

Pin	Pin assignment
-----	----------------

1	TD+
2	RD+
3	TD-
4	RD-

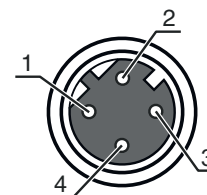


Connection 4

Function	BUS OUT
Type of connection	Connector
Thread size	M12
Type	Female
Material	Metal
No. of pins	4 -pin
Encoding	D-coded

Pin	Pin assignment
-----	----------------

1	TD+
2	RD+
3	TD-
4	RD-



Operation and display

LED	Display	Meaning
1	Green, continuous light	Ethernet
	Yellow, flashing	Data transmission active
2	Green, continuous light	Ethernet
	Yellow, flashing	Data transmission active