

## Technical data sheet

### Mounting system

Part no.: 50117255

BTU 200M-D12

#### Contents

- Technical data
- Dimensioned drawings
- Accessories



For illustration purposes only

## Technical data

### Basic data

<b>Contains</b>	2 M3 x 20 screws
	2x M3 x 16 screw
	2x position washers
<b>Suitable for product group</b>	Switching sensors, cubic
<b>Suitable for</b>	18 series sensors
	25B series sensors
	25C series sensors
	28 series sensors
	3B series sensors
	3C series sensors
	5 series sensors
55 series sensors	

### Mechanical data

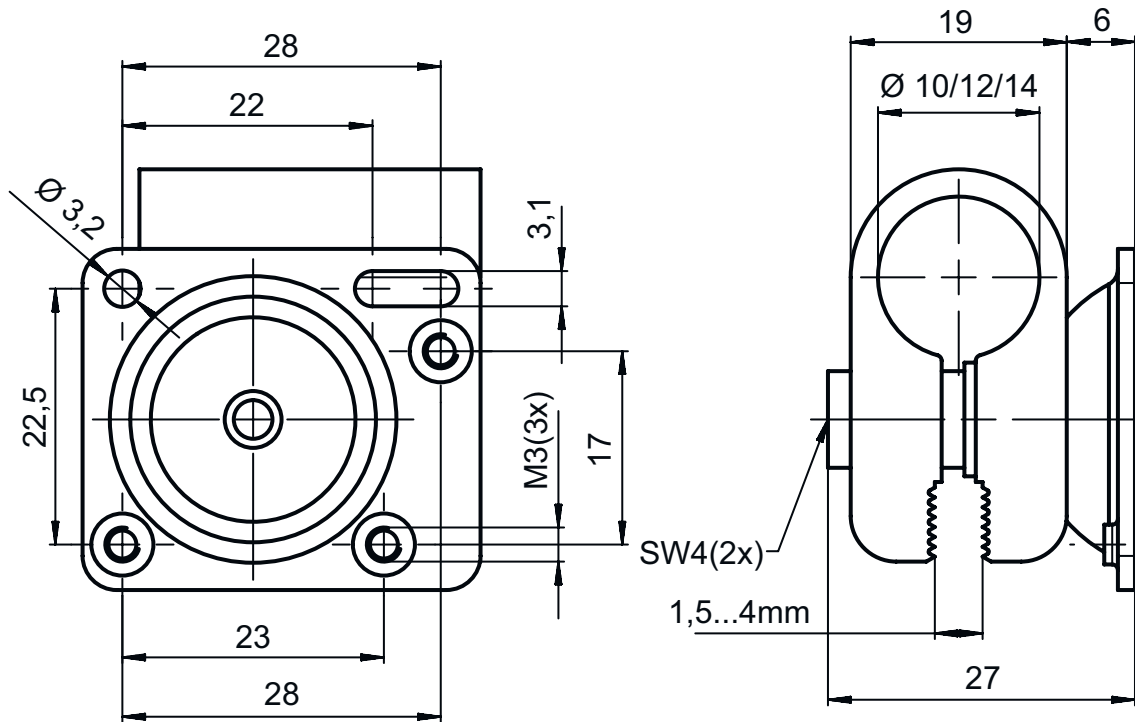
<b>Standard designation, metal mounting device</b>	Aluminum
	Steel, galvanized
<b>Design of mounting device</b>	Mounting system
<b>Type of fastening, at system</b>	For 12 mm rod
	Sheet-metal mounting
<b>Type of fastening, at device</b>	Screw type
	Suited for M3 screws
<b>Type of mounting device</b>	Adjustable
	Clampable
	Turning, 360°
<b>Mounting device material</b>	Metal

### Classification

<b>Customs tariff number</b>	73182900
<b>ECLASS 5.1.4</b>	27279202
<b>ECLASS 8.0</b>	27279202
<b>ECLASS 9.0</b>	27273701
<b>ECLASS 10.0</b>	27273701
<b>ECLASS 11.0</b>	27273701
<b>ECLASS 12.0</b>	27273701
<b>ECLASS 13.0</b>	27273701
<b>ECLASS 14.0</b>	27273701
<b>ECLASS 15.0</b>	27273701
<b>ETIM 5.0</b>	EC002498
<b>ETIM 6.0</b>	EC003015
<b>ETIM 7.0</b>	EC003015
<b>ETIM 8.0</b>	EC003015
<b>ETIM 9.0</b>	EC003015
<b>ETIM 10.0</b>	EC003015

## Dimensioned drawings

All dimensions in millimeters



## Accessories

### Micro-triad-type reflectors

Part no.	Designation	Article	Description
50040895	MTKS 20x20	Reflector	Design: Rectangular Triple reflector size: 1.2 mm Reflective surface: 20 mm x 20 mm Material: Plastic Base material: Plastic Chemical designation of the material: PMMA8N Fastening: Through-hole mounting, Adhesive



#### Note



A list with all available accessories can be found on the Leuze website in the Download tab of the article detailed page.