

## Technical data sheet Stationary bar code reader

Part no.: 50126082

CR50M2/R2-S5

### Contents

- Technical data
- Dimensioned drawings
- Electrical connection
- Diagrams
- Notes
- Accessories



For illustration purposes only

CE **RS232**

## Technical data

### Basic data

Series	CR50
--------	------

### Special version

Special version	Scan Engine Module
-----------------	--------------------

### Characteristic parameters

### Read data

Code types, readable	2/5 Interleaved
	Codabar
	Code 128
	Code 39
	Code 93
	EAN 128
	EAN 8/13
	EAN/UPC
	GS1 Databar
	UPC
Scanning rate, typical	330 scans/s

### Optical data

Reading distance	40 ... 250 mm
Light source	LED, Red
Wavelength	617 nm
Modulus size	0.1 ... 0.5 mm
Reading method	Line scanner
Beam deflection	Via prism
Light beam exit	Front

### Electrical data

#### Performance data

Supply voltage $U_B$	4.5 ... 5.5 V, DC
Current consumption, max.	120 mA

#### Outputs

Number of digital switching outputs	1 Piece(s)
-------------------------------------	------------

#### Switching outputs

Voltage type	DC
--------------	----

#### Switching output 1

Switching element	Transistor, NPN
Function	DATA VALID

### Interface

Type	RS 232, USB
------	-------------

#### RS 232

Function	Process
Transmission speed	300 ... 115,200 Bd
Data format	Fixed
Start bit	1
Data bit	8
Stop bit	1.2
Parity	None
Transmission protocol	Adjustable
Data encoding	ASCII
	HEX

### USB

Function	Process
----------	---------

### Service interface

Type	USB
------	-----

### USB

Function	Configuration via software
----------	----------------------------

### Connection

Number of connections	1 Piece(s)
-----------------------	------------

#### Connection 1

Function	Data interface
	Service interface
	Signal IN
	Signal OUT
	Voltage supply
Type of connection	Terminal

### Mechanical data

Design	Cubic
Dimension (W x H x L)	22.5 mm x 14 mm x 33 mm
Housing material	Plastic
Lens cover material	Plastic
Net weight	10 g
Type of fastening	Fastening thread

### Operation and display

Type of display	Buzzer
Type of configuration	Software

### Environmental data

Ambient temperature, operation	0 ... 50 °C
Ambient temperature, storage	-20 ... 60 °C
Relative humidity (non-condensing)	5 ... 95 %
Extraneous light protection, max.	100,000 lx

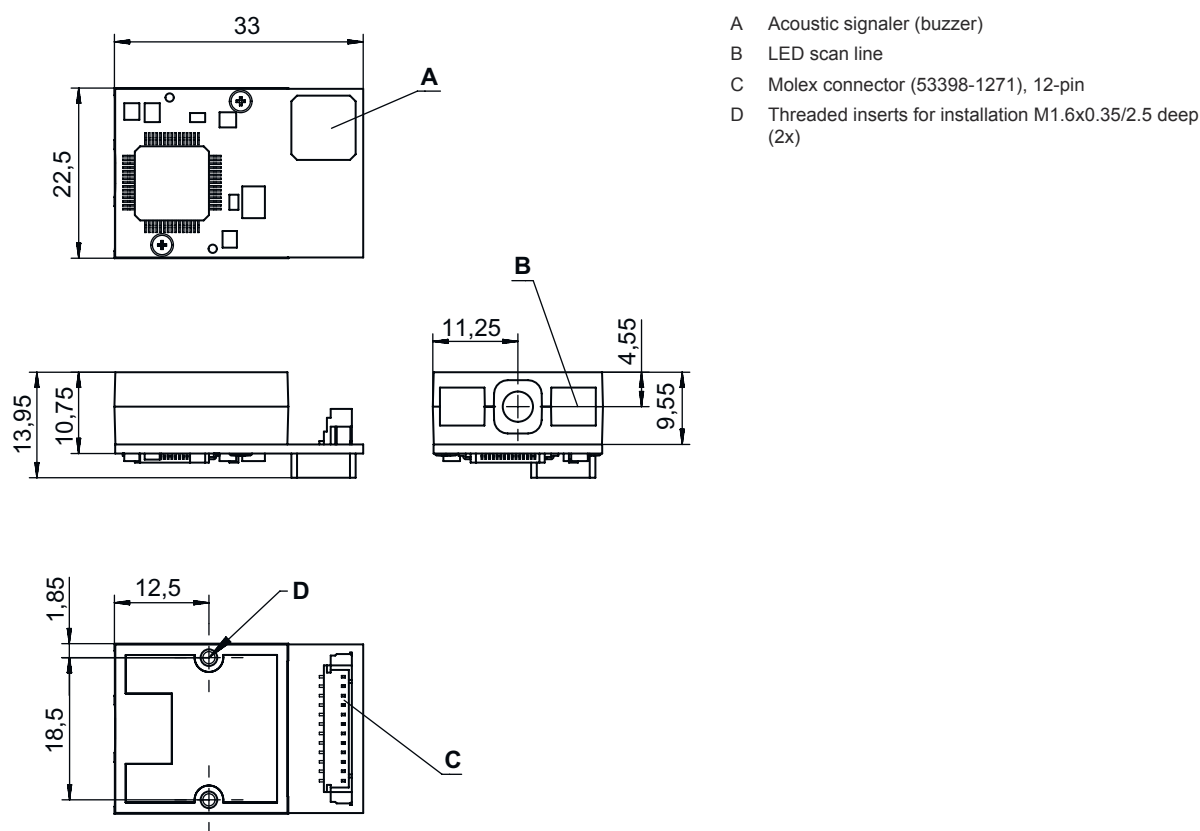
### Certifications

### Classification

Customs tariff number	84719000
ECLASS 5.1.4	27280102
ECLASS 8.0	27280102
ECLASS 9.0	27280102
ECLASS 10.0	27280102
ECLASS 11.0	27280102
ECLASS 12.0	27280102
ECLASS 13.0	27280102
ECLASS 14.0	27280102
ECLASS 15.0	27280102
ECLASS 16.0	27280102
ETIM 5.0	EC002550
ETIM 6.0	EC002550
ETIM 7.0	EC002550
ETIM 8.0	EC002550
ETIM 9.0	EC002550
ETIM 10.0	EC002550
UNSPSC 26.08	43211701

## Dimensioned drawings

All dimensions in millimeters



- A Acoustic signaler (buzzer)
- B LED scan line
- C Molex connector (53398-1271), 12-pin
- D Threaded inserts for installation M1.6x0.35/2.5 deep (2x)

## Electrical connection

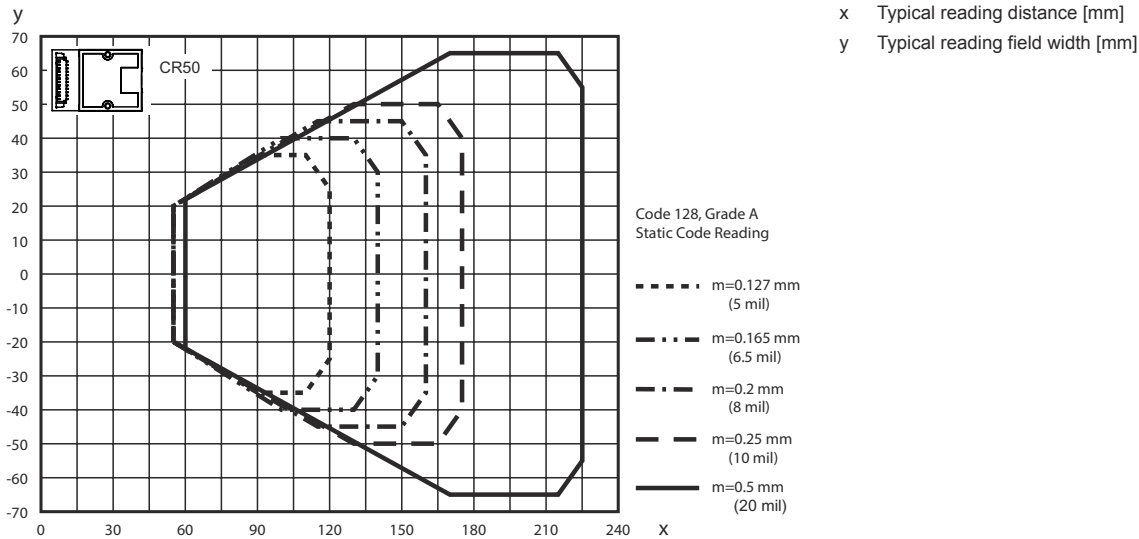
### Connection 1

<b>Function</b>	Data interface
	Service interface
	Signal IN
	Signal OUT
	Voltage supply
<b>Type of connection</b>	Terminal
<b>Type of terminal</b>	Plug connector
<b>No. of pins</b>	12 -pin

Terminal	Assignment
1	+5 V DC
2	GND
3	Buzzer
4	LED
5	Trigger IN
6	RS 232 RxD
7	RS 232 TxD
8	RS 232 RTS
9	RS 232 CTS
10	n.c.
11	USB D+
12	USB D-

# Diagrams

## Reading field



## Notes

**! Observe intended use!**

**!**

- This product is not a safety sensor and is not intended as personnel protection.
- The product may only be put into operation by competent persons.
- Only use the product in accordance with its intended use.


**Downloads**

**i** USB drivers for configuring are available on the Internet at [www.leuze.com](http://www.leuze.com).

- Call up the Leuze home page: [www.leuze.com](http://www.leuze.com)
- Enter the type designation or part number of the device as the search term.
- The "LeAnalysisCollectionSetup" driver can be found on the product page for the device under the **Downloads** tab.

## Accessories

### Start-up/diagnosis

	Part no.	Designation	Article	Description
	50128204	MA-CR	Module	Description: Adapter circuit board for laboratory and test purposes Type of interface: RS 232

## Accessories

### Note



🔗 A list with all available accessories can be found on the Leuze website in the Download tab of the article detailed page.