

Technical data sheet

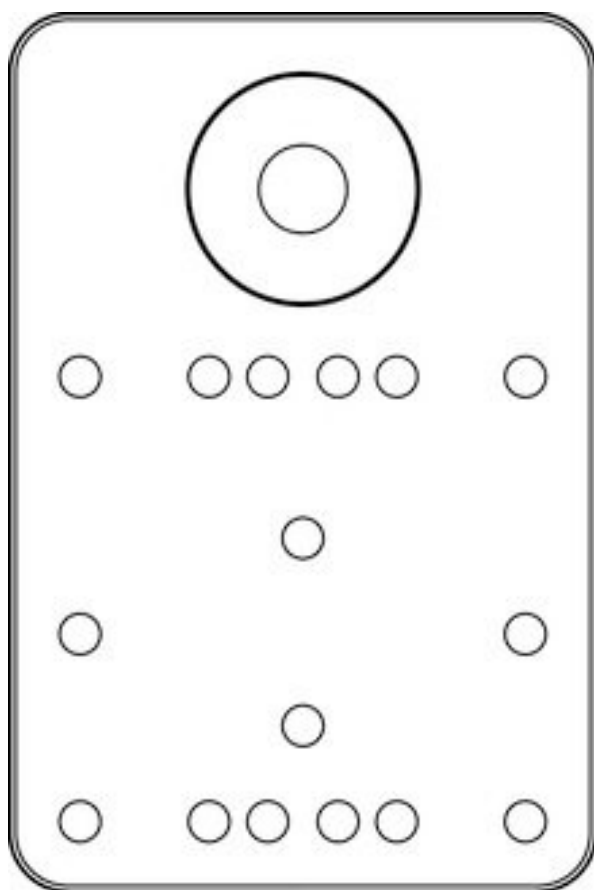
Mounting device

Part no.: 50149698

BTK IVS 1048

Contents

- Technical data
- Dimensioned drawings



For illustration purposes only

Technical data

Basic data

Suitable for product group	Industrial image processing
Suitable for	DCR 1048i
	IVS 1048i

Mechanical data

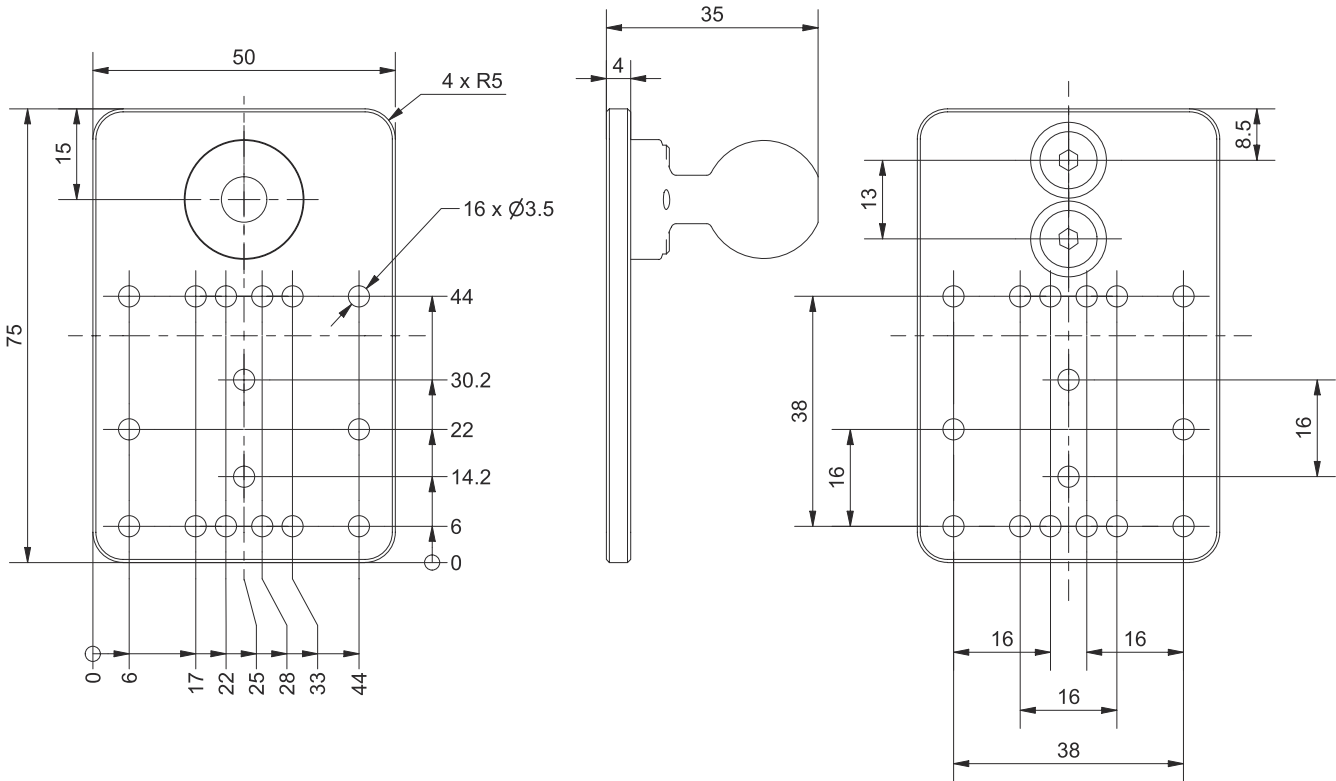
Type of fastening, at system	Screw type
Type of fastening, at device	Spherical head
Mounting device material	Aluminum

Classification

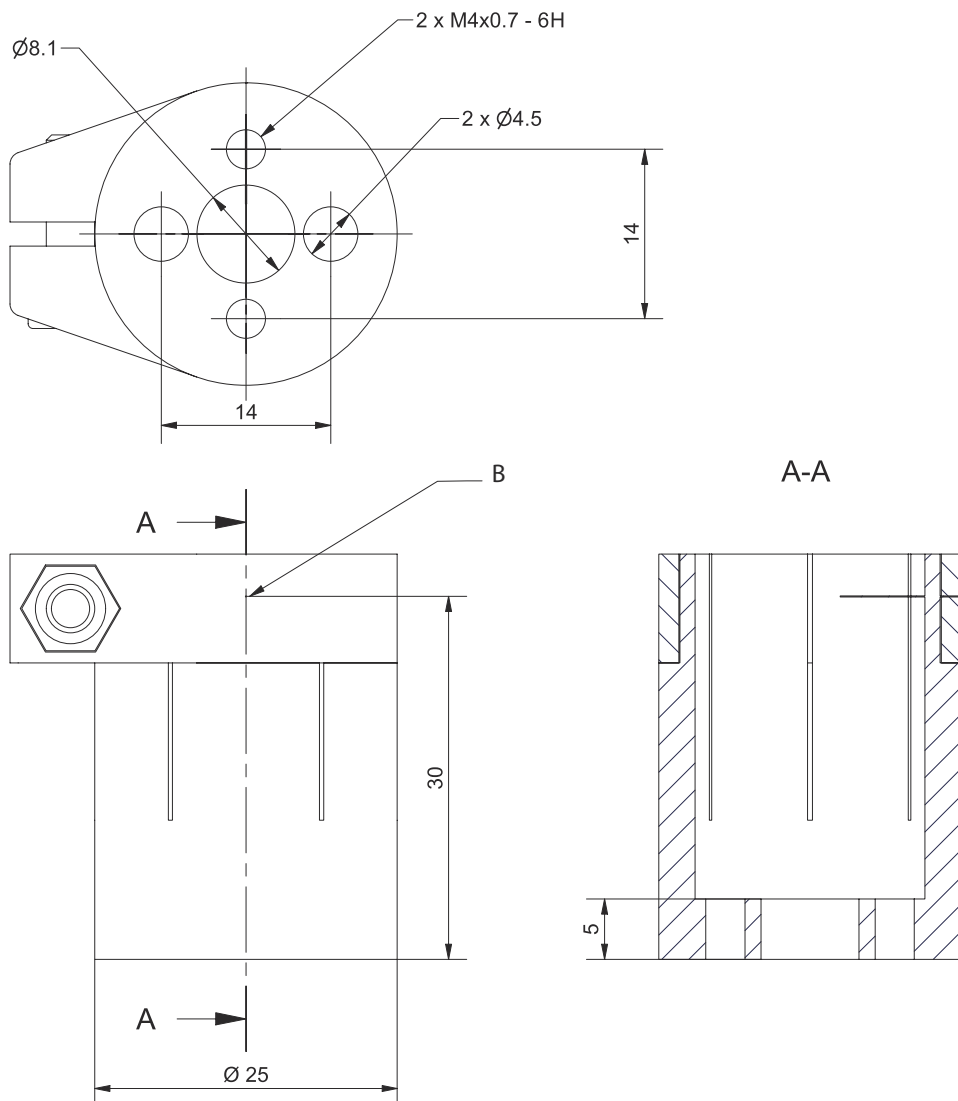
Customs tariff number	76169990
ECLASS 5.1.4	27279202
ECLASS 8.0	27279202
ECLASS 9.0	27273701
ECLASS 10.0	27273701
ECLASS 11.0	27273701
ECLASS 12.0	27273701
ECLASS 13.0	27273701
ECLASS 14.0	27273701
ECLASS 15.0	27273701
ETIM 5.0	EC002498
ETIM 6.0	EC003015
ETIM 7.0	EC003015
ETIM 8.0	EC003015
ETIM 9.0	EC003015
ETIM 10.0	EC003015

Dimensioned drawings

All dimensions in millimeters



Dimensioned drawings



B Spherical head pivot point