

Technical data sheet

Mounting plate

Part no.: 50152258

BT 500M

Contents

- Technical data
- Dimensioned drawings
- Notes



For illustration purposes only

Technical data

Basic data

Suitable for	RSL 200 safety laser scanner
--------------	------------------------------

Mechanical data

Dimension (W x H x L)	106.4 mm x 51 mm x 9.3 mm
-----------------------	---------------------------

Net weight	125 g
------------	-------

Housing color	Black
---------------	-------

Design of mounting device	Mounting plate
---------------------------	----------------

Type of fastening, at device	Screw type
------------------------------	------------

Mounting device material	Steel
--------------------------	-------

Classification

Customs tariff number	73182900
-----------------------	----------

ECLASS 5.1.4	27279202
--------------	----------

ECLASS 8.0	27279202
------------	----------

ECLASS 9.0	27273701
------------	----------

ECLASS 10.0	27273701
-------------	----------

ECLASS 11.0	27273701
-------------	----------

ECLASS 12.0	27273701
-------------	----------

ECLASS 13.0	27273701
-------------	----------

ECLASS 14.0	27273701
-------------	----------

ECLASS 15.0	27273701
-------------	----------

ECLASS 16.0	27273701
-------------	----------

ETIM 5.0	EC002498
----------	----------

ETIM 6.0	EC003015
----------	----------

ETIM 7.0	EC003015
----------	----------

ETIM 8.0	EC003015
----------	----------

ETIM 9.0	EC003015
----------	----------

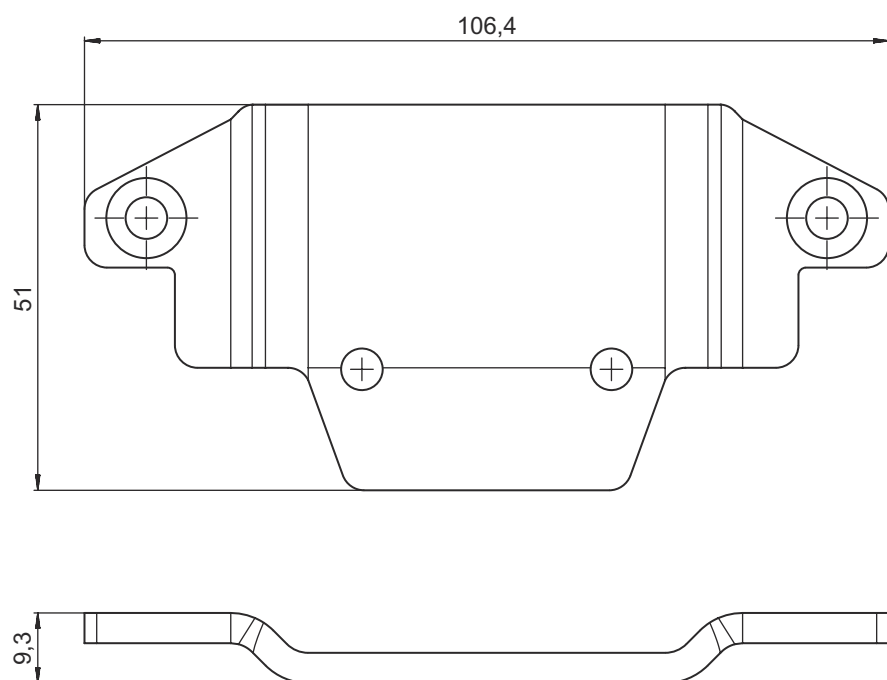
ETIM 10.0	EC003015
-----------	----------

UNSPSC 26.08	31242100
--------------	----------

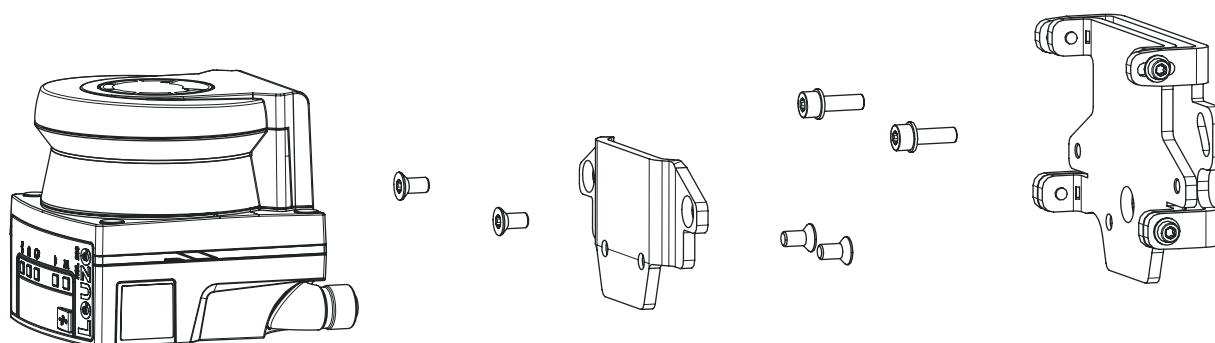
Dimensioned drawings

All dimensions in millimeters

Attachment adapter BT 500M



Mounting with wall mount and attachment adapter



- Mount the wall mount on the system side. Two M5x16 cylinder head screws with washers are included for this purpose.
- Mount the safety sensor on the BT 500M attachment adapter using the enclosed M5x10 countersunk screws (tightening torque = 2.3 Nm).
- Mount the safety sensor (with the attachment adapter) on the BTU 500M mounting system. Fasten the countersunk head screw to 4.5 Nm.
- Align the safety sensor on the BTU 500M mounting system vertically and horizontally:
 - using the slotted holes in the wall section with the M5 cylinder head screws as well as
 - using the inclination via the slotted holes of the M4 cylinder head screws.
- After aligning the safety sensor, secure it by tightening the four M4 cylinder head screws to 3.0 Nm and the M5 cylinder head screws on the system side.

Notes

NOTE



↳ The scanner can also be mounted directly on the mounting system without the BT 500M attachment adapter. Please note that the scanning range is limited to -135° ... $+135^{\circ}$.