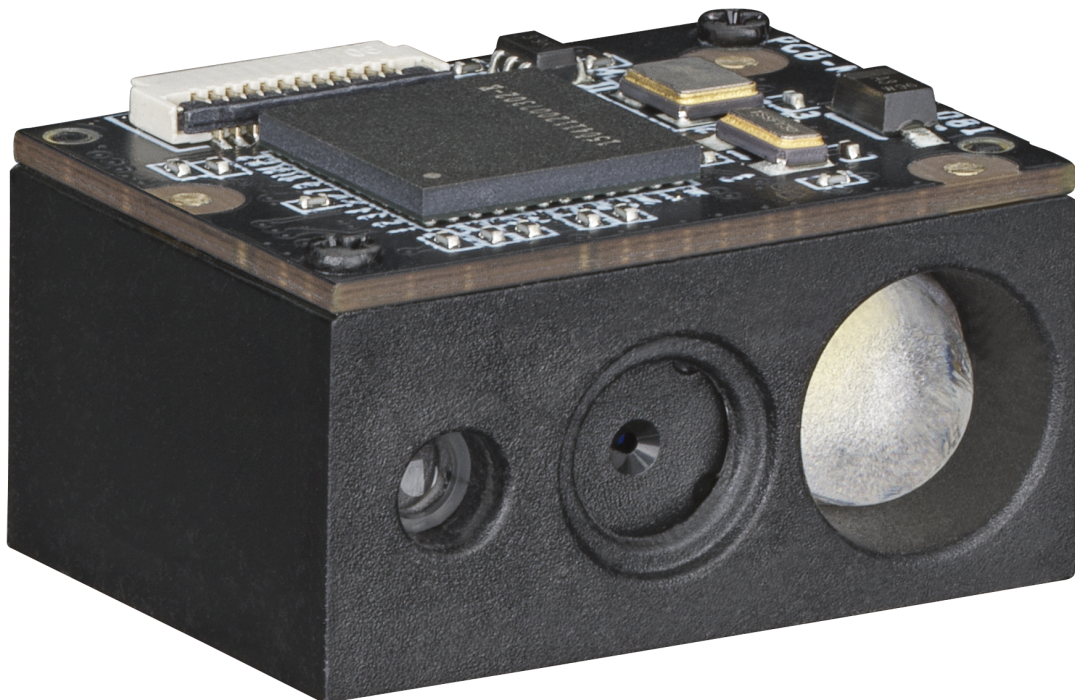


Translation of original operating instructions

DCR50M2/R2-S7 Scan Engine



© 2025

Leuze electronic GmbH + Co. KG

In der Braike 1

73277 Owen / Germany

Phone: +49 7021 573-0

Fax: +49 7021 573-199

www.leuze.com

info@leuze.com



1	About this document	5
1.1	Used symbols and signal words	5
2	Safety	7
2.1	Intended use	7
2.2	Foreseeable misuse.....	7
2.3	Competent persons.....	8
2.4	Disclaimer	8
3	Device description	9
3.1	Device overview	9
3.1.1	About the DCR50M2/R2-S7 scan engine.....	9
3.1.2	Stand-alone operation	9
3.2	Performance characteristics	9
3.3	Device construction.....	10
3.4	Connection technology	10
4	Mounting.....	11
4.1	Selecting a mounting location	11
5	Electrical connection.....	12
5.1	Voltage supply	12
5.2	Pin assignment	12
5.3	Switching input / switching output	13
5.3.1	Switching input	13
5.3.2	Switching output.....	13
5.4	PC or terminal connection.....	14
5.5	Cable lengths and shielding.....	15
5.6	Earthing.....	15
5.7	Requirements for the window (transparent cover for the scan engine)	15
6	Starting up the device - Configuration.....	17
6.1	Measures to be performed prior to the initial commissioning.....	17
6.2	Starting the device	17
6.2.1	Interface.....	17
6.2.2	Online commands.....	17
6.2.3	Problems	17
6.3	Setting the communication parameters	17
7	Configuration control	18
7.1	Configuration command architecture	18
7.2	Supported commands	18
7.2.1	Symbology.....	18
7.2.2	Decoder and general decoding parameters	34
7.2.3	Scan engine operation.....	35
7.2.4	Scan engine acknowledgement	35
7.2.5	Communication and output.....	36
7.2.6	Power mode parameters	36
7.2.7	General information on the scan engine	36
7.2.8	Scan engine configuration.....	37
8	Command protocol.....	38
9	Care, maintenance and disposal	39

10	Service and support	40
11	Technical data	41
	11.1 General specifications.....	41
	11.2 Reading field	42
	11.3 Dimensioned drawings.....	43
12	Order guide and accessories.....	44
	12.1 Type overview	44
	12.2 Accessories.....	44
13	EC Declaration of Conformity	45
14	Appendix.....	46
	14.1 Bar code sample	46




1 About this document

1.1 Used symbols and signal words

Tab. 1.1: Warning symbols and signal words

	Symbol indicating dangers to persons
	Symbol indicating possible property damage
NOTE	Signal word for property damage Indicates dangers that may result in property damage if the measures for danger avoidance are not followed.
CAUTION	Signal word for minor injuries Indicates dangers that may result in minor injury if the measures for danger avoidance are not followed.
WARNING	Signal word for serious injury Indicates dangers that may result in severe or fatal injury if the measures for danger avoidance are not followed.
DANGER	Signal word for life-threatening danger Indicates dangers with which serious or fatal injury is imminent if the measures for danger avoidance are not followed.

Tab. 1.2: Other symbols

	Symbol for tips Text passages with this symbol provide you with further information.
	Symbol for action steps Text passages with this symbol instruct you to perform actions.
	Symbol for action results Text passages with this symbol describe the result of the preceding action.

Tab. 1.3: Terms and abbreviations

CMOS	Semiconductor process for implementing integrated circuits (Complementary metal-oxide semiconductor)
DCR	Image-based code reader (Dual code reader)
DTM	Software device manager (Device Type Manager)
EMC	Electromagnetic compatibility
EN	European standard
FDT	Software frame for management of device managers (DTM) (Field Device Tool)
FE	Functional earth
FFC	Flexible flat cable
FOV	Field of view
GUI	Graphical user interface
HID	Device class for input devices with which users directly interact (Human Interface Device)
IO or I/O	Input/output
IVD	In vitro diagnostics
LED	Light-emitting diode
PLC	Programmable logic controller

2 Safety

This scan engine was developed, manufactured and tested in line with the applicable safety standards. It corresponds to the state of the art.




2.1 Intended use

The DCR50M2/R2-S7 type scan engine is designed as an installation scanner with integrated decoder for all of the most popular 1D and 2D codes for automatic object detection.

Areas of application

The DCR50M2/R2-S7 scan engine is intended especially for the following areas of application:

- Automatic analyzers
- For space-critical code reading tasks
- For installation in a housing or beneath covers


 CAUTION	
	<p>Observe intended use!</p> <p>The protection of personnel and the device cannot be guaranteed if the device is operated in a manner not complying with its intended use.</p> <ul style="list-style-type: none"> ↳ Only operate the device in accordance with its intended use. ↳ Leuze electronic GmbH + Co. KG is not liable for damages caused by improper use. ↳ Read these operating instructions before commissioning the device. Knowledge of the operating instructions is an element of proper use.
NOTICE	
	<p>Comply with conditions and regulations!</p> <ul style="list-style-type: none"> ↳ Observe the locally applicable legal regulations and the rules of the employer's liability insurance association.

2.2 Foreseeable misuse

Any use other than that defined under "Intended use" or which goes beyond that use is considered improper use.

In particular, use of the device is not permitted in the following cases:

- in rooms with explosive atmospheres
- in circuits which are relevant to safety
- for medical purposes

NOTICE	
	<p>Do not modify or otherwise interfere with the device!</p> <ul style="list-style-type: none"> ↳ Do not carry out modifications or otherwise interfere with the device. The device must not be tampered with and must not be changed in any way. ↳ The device must not be opened. There are no user-serviceable parts inside. ↳ Repairs must only be performed by Leuze electronic GmbH + Co. KG.

2.3 Competent persons

Connection, mounting, commissioning and adjustment of the device must only be carried out by competent persons.

Prerequisites for competent persons:

- They have a suitable technical education.
- They are familiar with the rules and regulations for occupational safety and safety at work.
- They are familiar with the operating instructions for the device.
- They have been instructed by the responsible person on the mounting and operation of the device.

Certified electricians

Electrical work must be carried out by a certified electrician.

Due to their technical training, knowledge and experience as well as their familiarity with relevant standards and regulations, certified electricians are able to perform work on electrical systems and independently detect possible dangers.

In Germany, certified electricians must fulfill the requirements of accident-prevention regulations DGUV (German Social Accident Insurance) provision 3 (e.g. electrician foreman). In other countries, there are respective regulations that must be observed.

2.4 Disclaimer

Leuze electronic GmbH + Co. KG is not liable in the following cases:

- The device is not being used properly.
- Reasonably foreseeable misuse is not taken into account.
- Mounting and electrical connection are not properly performed.
- Changes (e.g., constructional) are made to the device.

3 Device description

3.1 Device overview

3.1.1 About the DCR50M2/R2-S7 scan engine

The code reader is based on a scan engine with CMOS imager and integrated decoder for all commonly used 1D and 2D codes such as Data Matrix, Aztec, QR, 2/5 Interleaved, Code 39, Code 128, UPC/EAN.

The many possible configurations of the device allow it to be adapted to a multitude of reading tasks. Due to the device's small dimensions and large reading field, the scan engine can also be used in highly constrained spaces.

Information on technical data and features see chapter 11 "Technical data".

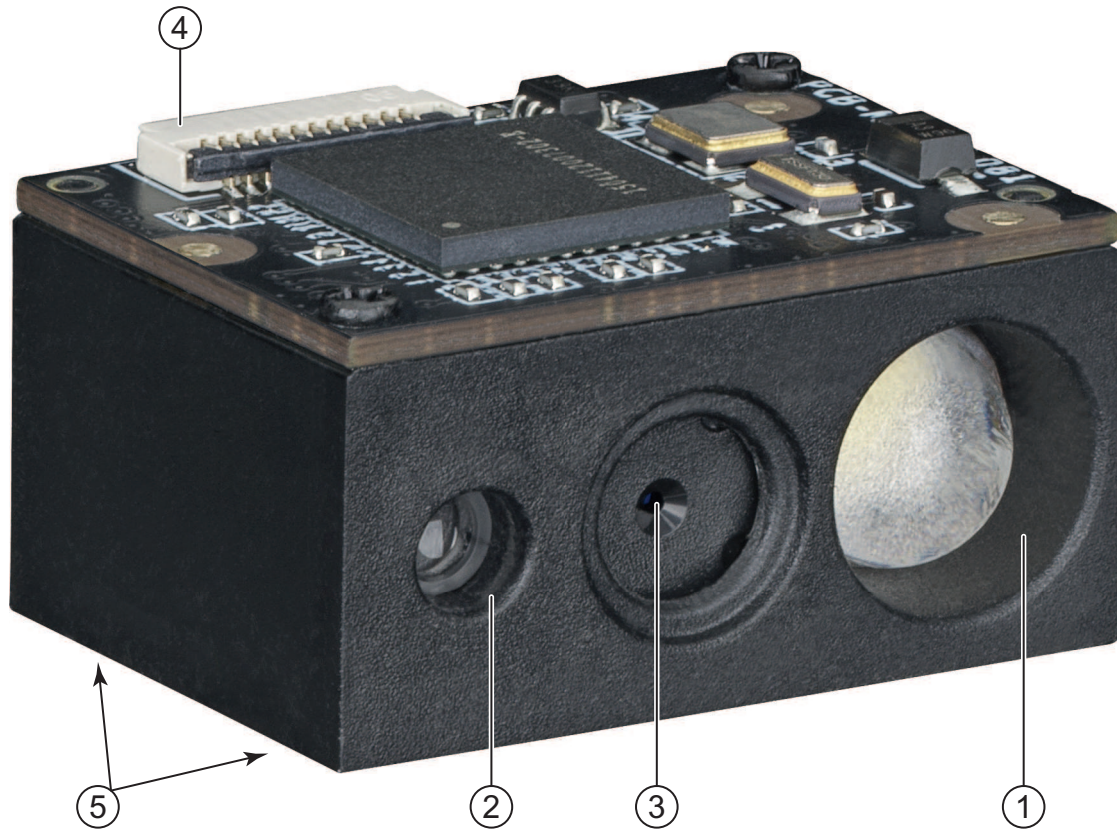
3.1.2 Stand-alone operation

The scan engine is operated as a single "stand-alone" device. It is equipped with a 12-pin FFC connector for the power supply electrical connection, the interface, the trigger input, and the switching output.

3.2 Performance characteristics

- High-performance miniature CMOS imager scan engine
- Compact design for simple integration, even in constrained spaces
- Reading of extremely small high-density codes and recording of standard codes in a large reading area using a special optical system
- Reading of shiny surfaces using a gloss reduction process
- Excellent decoding characteristics
- Clearly visible alignment LED
- RS 232 interface, one trigger input, one switching output

3.3 Device construction



- 1 Integrated LED for illumination (white light)
- 2 Integrated LED aimer (red light)
- 3 Center of optical axis
- 4 12-pin FFC connection (flexible flat cable)
- 5 Two M1.6 mounting threads, 3 mm deep

Fig. 3.1: DCR50M2/R2-S7 device construction

3.4 Connection technology

12-pin FFC connection (flexible flat cable)

4 Mounting

The scan engine can be attached at two M1.6 through-hole mounting tabs.

In addition, two 3 mm deep inserts for M1.8 self-tapping screws are provided on top of the scan engine.

4.1 Selecting a mounting location

NOTICE



The size of the code module influences the maximum reading distance and the width of the reading field. Therefore, when selecting a mounting location and/or the code label, take into account the different reading characteristics of the scanner with various code modules.

NOTICE



Observe when choosing the mounting location!

- ↳ Maintaining the required environmental conditions (temperature, humidity).
- ↳ Possible soiling of the reading window due to liquids, abrasion by boxes, or packaging material residues.
- ↳ Lowest possible chance of damage to the scanner by mechanical collision or jammed parts.
- ↳ Possible extraneous light influence (no direct sunlight).

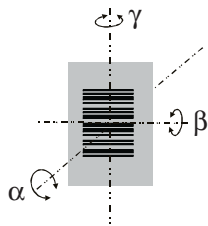
The best read results are obtained when

- the reading distance lies in the middle of the reading field.
- there is no direct sunlight and extraneous light is avoided.
- the barcode labels are of good print quality and have good contrast ratios.
- you do not use high-gloss labels.
- the barcode or Data Matrix code is moved past the reading window with an angle of rotation of 10° to 15°.
- the red light beam is narrowed down for its respective reading task in order to avoid reflections on shiny components.

NOTICE



The front beam exit of the device is almost vertical to the optics. The code label must be rotated by > 10° to avoid a total reflection of the red light beam in the case of glossy labels.



α Azimuth angle



β Angle of inclination

γ Angle of rotation

Recommended angle of rotation: $\gamma > 10^\circ$

Fig. 4.1: Definition of the reading angles

5 Electrical connection

	CAUTION
	<p>Safety notices</p> <ul style="list-style-type: none"> ⤵ Before connecting the device, be sure that the supply voltage agrees with the value printed on the name plate. ⤵ Connection of the device and maintenance work while under voltage must only be carried out by a qualified electrician. ⤵ The power supply unit for the generation of the supply voltage for the device and the corresponding connection units must have a secure electrical insulation according to IEC 60742 (PELV). For UL applications: only for use in class 2 circuits according to NEC. ⤵ If faults cannot be cleared, the device should be switched off and protected against accidental use.

5.1 Voltage supply

The scan engine is designed for connection to a 3.3 V supply voltage.

- +3.3 V DC (pin 2)
- GND (pin 3)

A modular adapter unit MA-DCR50-S7 (50151531) serves as a device-to-host interface for connection to a PC for evaluation. The adapter unit has an LED buzzer, trigger button, 12-pin FFC and micro USB port (see chapter 12.2 "Accessories").

With the modular adapter unit MA-DCR50-S7, a 50 mm long interconnection cable can be contacted via the scan engine's 12-pin FFC and connected to the PC via USB.

A 5 V power supply via micro USB is possible with the modular adapter unit MA-DCR50-S7.

5.2 Pin assignment

Tab. 5.1: Pin assignment

Pin	Signal	Description
1	NC	Not connected
2	VIN	3.3 V DC
3	GND	Ground
4	RxD	Serial input RS232
5	TxD	Serial output RS232
6	D-	USB D- differential data signal
7	D+	USB D+ differential data signal
8	NC	Not connected
9	BPR	Beeper
10	DLED	Good Read LED
11	NC	Not connected
12	TRIG	Trigger

5.3 Switching input / switching output

The scan engine has a switching input and a switching output.

- The switching input is used to trigger the code reading (TRIG).
- The switching output signals successful code reading (DLED).

5.3.1 Switching input

A read process can be triggered using the trigger input (pin 12) in the standard setting (low = active) via the connection to GND (pin 3). We recommend wiring a 3.3 kΩ pull-up resistor as a defined cable termination.

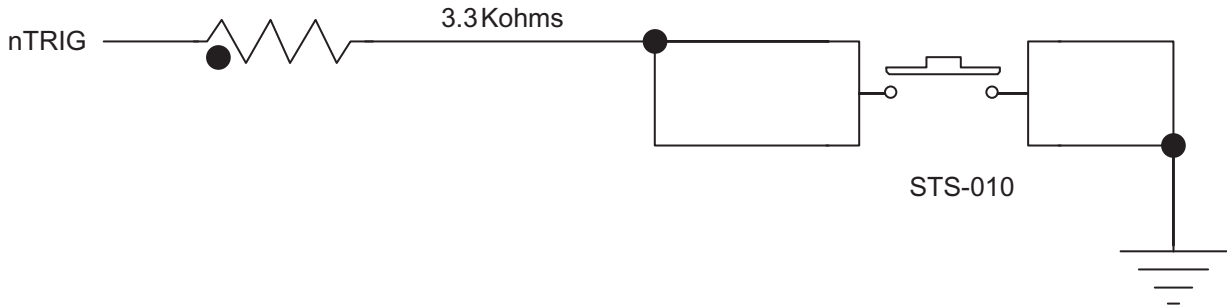


Fig. 5.1: Wiring example of the trigger input

5.3.2 Switching output

The following switch is used to control an external LED to display the read status. When the scan engine has successfully read a code, pin 10 outputs a pulse with a duration of 100 ms (low = active).

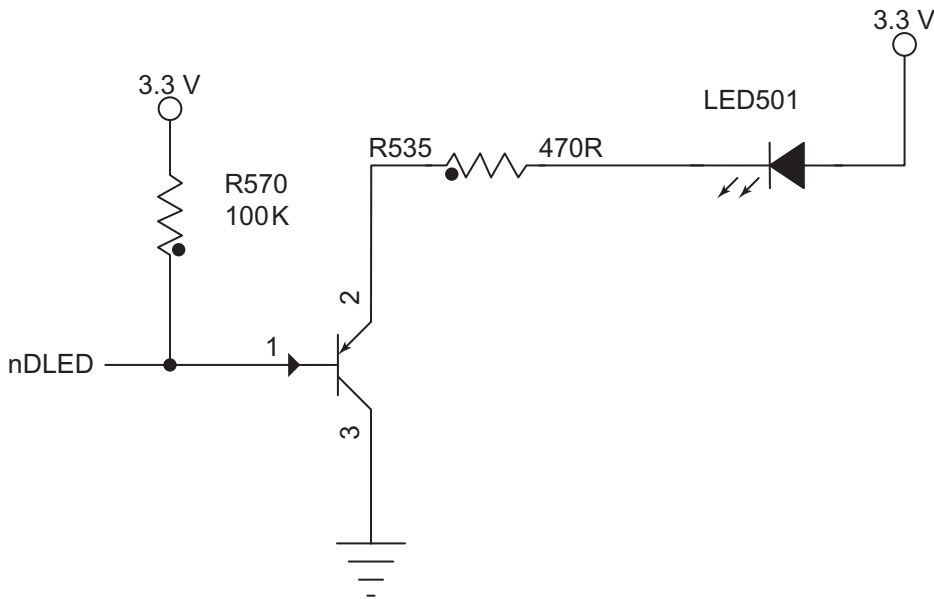



Fig. 5.2: Switching output

NOTICE	
	<p>Maximum loading of the switching output Do not load the switching output of the scan engine with more than 8 mA at +3.3 V DC.</p>

Buzzer switch (external)

Pin 9 is the input signal (PWM) for the external buzzer.

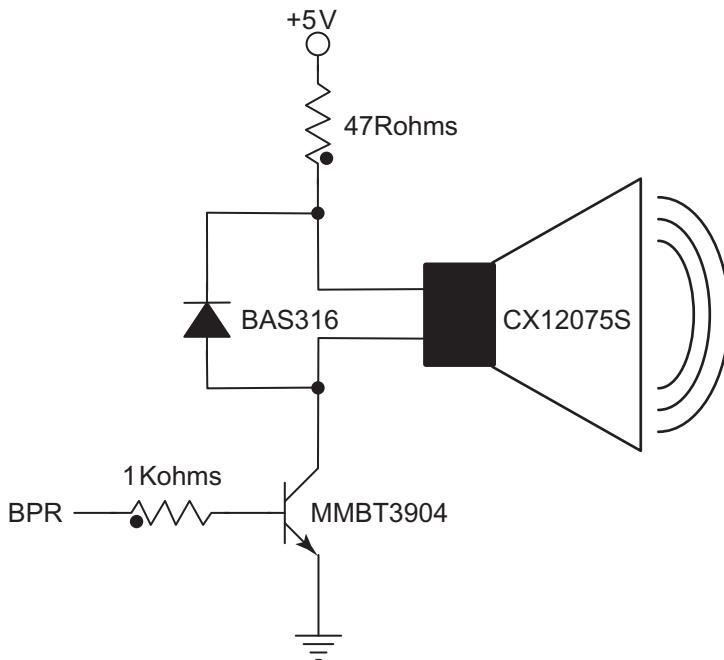


Fig. 5.3: Buzzer connection

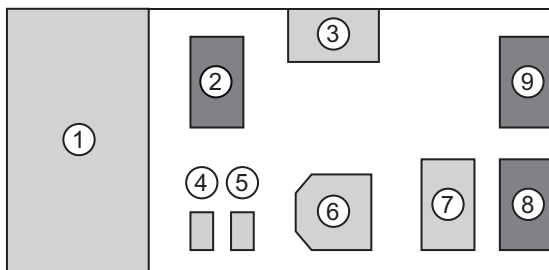
5.4 PC or terminal connection

Via the serial interface, you can configure the scan engine by means of a PC or terminal. For this, you need an RS 232 connection that establishes the RxD, TxD and GND connections between PC and scan engine.

The RS 232 connection can be established in the following ways:

- Direct connection of the plug connector of the scan engine to the PC or terminal via its own connector.
- Connection via a MA-DCR50-S7 modular adapter unit

To simplify the connection of the connection wires to the PC interface, a modular adapter unit (MA-DCR50-S7) is available to convert the 12-pin FFC to micro USB (see chapter 12.2 "Accessories").



- 1 Position scan engine DCR50M2/R2-S7
- 2 12-pin ZIF connection plug for the scan engine
- 3 Trigger button
- 4 Green LED, Good Read
- 5 Red LED, supply voltage
- 6 Buzzer, sounds for Good Read
- 7 USB-UART bridge IC
- 8 Micro USB (virtual ComPort)
- 9 Micro USB (HID)

Fig. 5.4: Connection options for the MA-DCR50-S7 modular adapter unit

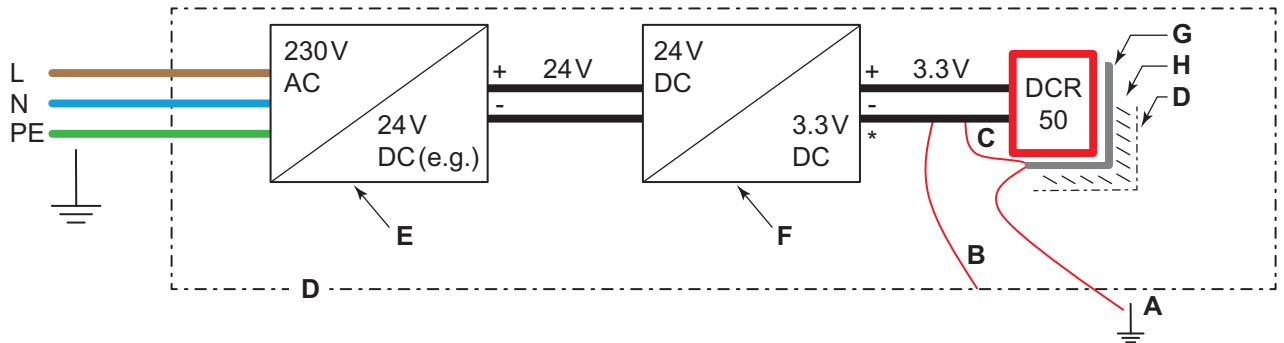
5.5 Cable lengths and shielding

The maximum cable length is 100 m.

If cables are extended, ensure that the cables of the RS 232 interface are shielded.

5.6 Earthing

It is important to comply with the following electrostatic earthing procedure to ensure EMC (electromagnetic compatibility) and avoid possible damage due to electromagnetic interference.

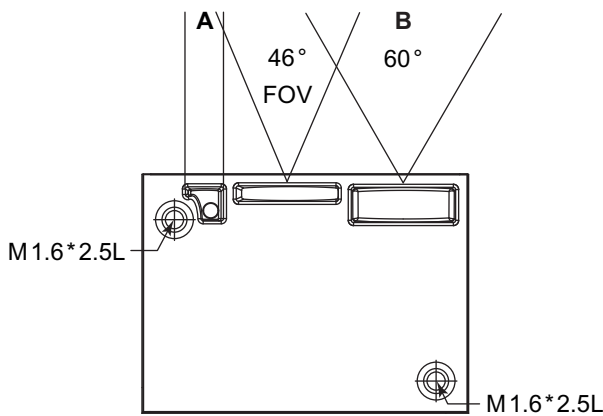


- A Electrical connection between mounting bracket and PE potential not permitted.
- B Electrical connection between GND (-) 3.3 V DC and the housing of the IVD device is not permitted.
- C An electrical connection between GND (-) 3.3 V DC and the mounting bracket is permissible.
- D IDV machine housing
- E AC/DC – AC/DC (SELV or non-SELV) housing
- F DC/DC – DC/DC housing
- G Mounting bracket
- H Housing insulation

Fig. 5.5: IVD machine: not isolated (non-SELV – Safety Extra Low Voltage)

5.7 Requirements for the window (transparent cover for the scan engine)

Size of window

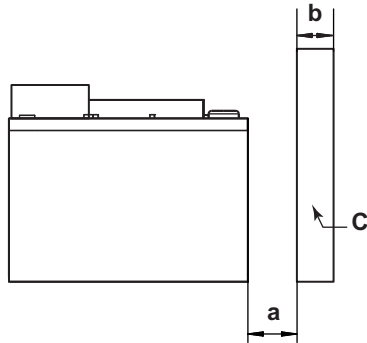


- A Target LED
- B Illumination

Fig. 5.6: Window size

Position of window

The transparent cover should be dimensioned and positioned in such a way that any frame does not restrict the field of vision or cause reflections from the target LED or the illumination.



- a Distance from window
- b Width of window
- c Parallel window

Fig. 5.7: Window position


The distance between the front of the housing and the furthest surface of the window should not exceed the dimension $a+b$ ($a \leq 0.1$ mm, $b \leq 0.1$ mm).

Window material

The window material must be transparent. Many materials are prone to stresses and deformations that can affect the optical module and reduce the scan module's performance. PMMA, ADC and chemically hardened glass are therefore recommended.

6 Starting up the device - Configuration

6.1 Measures to be performed prior to the initial commissioning

NOTICE	
	<ul style="list-style-type: none">↳ Please observe the notices for device arrangement, see chapter 4.1 "Selecting a mounting location".↳ If possible, always trigger the scanner with the aid of commands or an external signal transmitter (photoelectric sensor).↳ Before commissioning, familiarize yourself with the operation and configuration of the device(s).↳ Before connecting the supply voltage, recheck all connections and ensure that they have been properly made.

6.2 Starting the device

6.2.1 Interface

Proper function of the interface can be most easily tested in service operation using the serial interface with the configuration software and a laptop computer.

6.2.2 Online commands

Using the online commands, important device functions can be checked, e.g. reading activation.

6.2.3 Problems

If a problem occurs that cannot be rectified even after checking all electrical connections and settings on the devices and on the host, contact your responsible Leuze subsidiary or Leuze customer service; see chapter 10 "Service and support".

6.3 Setting the communication parameters

The code type and code length are usually set via the configuration software.

7 Configuration control

7.1 Configuration command architecture

The device only accepts the configuration commands for changing and saving configuration settings in the following format.

Tab. 7.1: Command format

Data length	Transmitting terminal	Identity code	Command	Data	High-byte checksum	Low-byte checksum
1 byte	1 byte	1 byte	1 byte	Max. 32 bytes	1 byte	1 byte

Meaning/content of the command components:

Data length	Without the checksum length <ul style="list-style-type: none"> • Minimum: 5 bytes • Maximum: 36 bytes
Transmitting terminal	<ul style="list-style-type: none"> • 57 (HEX): the end terminal transmits data to the decoding device. • 52 (HEX): the decoding device transmits data to the end terminal.
Identity code	Command identity
Command	Setting / read command
Data	Configuration data
Checksum calculation	$0x10000 - [\text{Data length}] - [\text{Transmitting terminal}] - [\text{Identity code}] - [\text{Command}] - [\text{D1} + \text{D2} + \text{D3} + \dots]$

7.2 Supported commands

7.2.1 Symbology

Tab. 7.2: Symbology

Function		Length (Hex)	Source (Hex)	ExID (Hex)	ExCMD (Hex)	Data (Hex)	High-byte checksum (Hex)	Low-byte checksum (Hex)
UPC/EAN add-on codes	Activate	05	57	B0	02	0E	FE	E4
	Deactivate	05	57	B0	02	0D	FE	E5

Function		Length (Hex)	Source (Hex)	ExID (Hex)	ExCMD (Hex)	Data (Hex)	High- byte check- sum (Hex)	Low- byte check- sum (Hex)	
UPC-A	Activate	05	57	B1	01	0E	FE	E4	
	Deactivate	05	57	B1	01	0D	FE	E5	
	Transmit first char- acter	Activate	05	57	B1	02	0E	FE	E3
		Deactivate	05	57	B1	02	0D	FE	E4
	Check	Activate	05	57	B1	03	0E	FE	E2
		Deactivate	05	57	B1	03	0D	FE	E3
	Convert EAN-13	Activate	05	57	B1	04	0E	FE	E1
		Deactivate	05	57	B1	04	0D	FE	E2
	2-digit/5- digit add- on code	Activate	05	57	B1	05	0E	FE	E0
		Deactivate	05	57	B1	05	0D	FE	E1
	Add-on code re- quired	Activate	05	57	B1	06	0E	FE	DF
		Deactivate	05	57	B1	06	0D	FE	E0
	2-digit add- on code	Activate	05	57	B1	07	0E	FE	DE
		Deactivate	05	57	B1	07	0D	FE	DF
	5-digit add- on code	Activate	05	57	B1	08	0E	FE	DD
		Deactivate	05	57	B1	08	0D	FE	DE
Prefix for UPC-A		*1	57	B1	50	1 ... 8 charac- ters	*2	*2	
Suffix for UPC-A		*1	57	B1	53	1 ... 8 charac- ters	*2	*2	

Function		Length (Hex)	Source (Hex)	ExID (Hex)	ExCMD (Hex)	Data (Hex)	High-byte check-sum (Hex)	Low-byte check-sum (Hex)	
UPC-E	Activate	05	57	B2	01	0E	FE	E3	
	Deactivate	05	57	B2	01	0D	FE	E4	
	Transmit first character	Activate	05	57	B2	02	0E	FE	E2
		Deactivate	05	57	B2	02	0D	FE	E3
	Check	Activate	05	57	B2	03	0E	FE	E1
		Deactivate	05	57	B2	03	0D	FE	E2
	Convert UPC-A	Activate	05	57	B2	04	0E	FE	E0
		Deactivate	05	57	B2	04	0D	FE	E1
	2-digit/5-digit add-on code	Activate	05	57	B2	05	0E	FE	DF
		Deactivate	05	57	B2	05	0D	FE	E0
	Add-on code required	Activate	05	57	B2	06	0E	FE	DE
		Deactivate	05	57	B2	06	0D	FE	DF
	2-digit add-on code	Activate	05	57	B2	07	0E	FE	DD
		Deactivate	05	57	B2	07	0D	FE	DE
	5-digit add-on code	Activate	05	57	B2	08	0E	FE	DC
		Deactivate	05	57	B2	08	0D	FE	DD
Prefix for UPC-E		*1	57	B2	50	1 ... 8 characters	*2	*2	
Suffix for UPC-E		*1	57	B2	53	1 ... 8 characters	*2	*2	

Function		Length (Hex)	Source (Hex)	ExID (Hex)	ExCMD (Hex)	Data (Hex)	High- byte check- sum (Hex)	Low- byte check- sum (Hex)	
EAN-8	Activate	05	57	B3	01	0E	FE	E2	
	Deactivate	05	57	B3	01	0D	FE	E3	
	Transmit test data	Activate	05	57	B3	02	0E	FE	E1
		Deactivate	05	57	B3	02	0D	FE	E2
	Convert EAN-13	Activate	05	57	B3	03	0E	FE	E0
		Deactivate	05	57	B3	03	0D	FE	E1
	2-digit/5- digit add- on code	Activate	05	57	B3	04	0E	FE	DF
		Deactivate	05	57	B3	04	0D	FE	E0
	Add-on code re- quired	Activate	05	57	B3	05	0E	FE	DE
		Deactivate	05	57	B3	05	0D	FE	DF
	2-digit add- on code	Activate	05	57	B3	06	0E	FE	DD
		Deactivate	05	57	B3	06	0D	FE	DE
	5-digit add- on code	Activate	05	57	B3	07	0E	FE	DC
		Deactivate	05	57	B3	07	0D	FE	DD
Prefix for EAN-8	*1	57	B3	50	1 ... 8 charac- ters	*2	*2		
Suffix for EAN-8	*1	57	B3	53	1 ... 8 charac- ters	*2	*2		

Function		Length (Hex)	Source (Hex)	ExID (Hex)	ExCMD (Hex)	Data (Hex)	High- byte check- sum (Hex)	Low- byte check- sum (Hex)	
EAN-13	Activate	05	57	B4	01	0E	FE	E1	
	Deactivate	05	57	B4	01	0D	FE	E2	
	Transmit first char- acter	Activate	05	57	B4	02	0E	FE	E0
		Deactivate	05	57	B4	02	0D	FE	E1
	Convert ISBN	Activate	05	57	B4	03	0E	FE	DF
		Deactivate	05	57	B4	03	0D	FE	E0
	Convert ISSN	Activate	05	57	B4	04	0E	FE	DE
		Deactivate	05	57	B4	04	0D	FE	DF
	2-digit/5- digit add- on code	Activate	05	57	B4	05	0E	FE	DD
		Deactivate	05	57	B4	05	0D	FE	DE
	Add-on code re- quired	Activate	05	57	B4	06	0E	FE	DC
		Deactivate	05	57	B4	06	0D	FE	DD
	2-digit add- on code	Activate	05	57	B4	07	0E	FE	DB
		Deactivate	05	57	B4	07	0D	FE	DC
	5-digit add- on code	Activate	05	57	B4	08	0E	FE	DA
		Deactivate	05	57	B4	08	0D	FE	DB
	Start with 979 und 192 re- quired	Activate	05	57	B4	09	0E	FE	D9
Deactivate		05	57	B4	09	0D	FE	DA	
Prefix for EAN-13		*1	57	B4	50	1 ... 8 charac- ters	*2	*2	
Suffix for EAN-13		*1	57	B4	53	1 ... 8 charac- ters	*2	*2	

Function		Length (Hex)	Source (Hex)	ExID (Hex)	ExCMD (Hex)	Data (Hex)	High-byte check-sum (Hex)	Low-byte check-sum (Hex)	
Code 128	Activate	05	57	B5	01	0E	FE	E0	
	Deactivate	05	57	B5	01	0D	FE	E1	
	Read length	Each length	05	57	B5	10	00	FE	DF
		1 discrete length	05	57	B5	11	1 byte of the length	*2	*2
		2 discrete lengths	05	57	B5	12	2 bytes of the length	*2	*2
		Length in the field	05	57	B5	13	2 bytes of the length	*2	*2
	Prefix for Code 128	*1	57	B5	50	1 ... 8 characters	*2	*2	
	Suffix for Code 128	*1	57	B5	53	1 ... 8 characters	*2	*2	

Function		Length (Hex)	Source (Hex)	ExID (Hex)	ExCMD (Hex)	Data (Hex)	High-byte check-sum (Hex)	Low-byte check-sum (Hex)	
Code 39	Activate	05	57	B6	01	0E	FE	DF	
	Deactivate	05	57	B6	01	0D	FE	E0	
	ASCII	Activate	05	57	B6	02	0E	FE	DE
		Deactivate	05	57	B6	02	0D	FE	DF
	Transmit start / end character	Activate	05	57	B6	03	0E	FE	DD
		Deactivate	05	57	B6	03	0D	FE	DE
	Do not check	05	57	B6	04	01	FE	E9	
	Check and transmit	05	57	B6	04	02	FE	E8	
	Check without transmitting	05	57	B6	04	03	FE	E7	
	Prefix for Code 39	05	57	B6	50	1 ... 8 characters	*2	*2	
	Suffix for Code 39	05	57	B6	53	1 ... 8 characters	*2	*2	
	Read length	Each length	05	57	B6	10	00	FE	DE
		1 discrete length	05	57	B6	11	1 byte of the length	*2	*2
		2 discrete lengths	05	57	B6	12	2 bytes of the length	*2	*2
		Length in the field	05	57	B6	13	2 bytes of the length	*2	*2
	Convert to Code 32	Activate	05	57	B8	01	0E	FE	DD
		Deactivate	05	57	B8	01	0D	FE	DE
	Prefix for Code 32	*1	57	B8	50	1 ... 8 characters	*2	*2	
	Suffix for Code 32	*1	57	B8	53	1 ... 8 characters	*2	*2	

Function		Length (Hex)	Source (Hex)	ExID (Hex)	ExCMD (Hex)	Data (Hex)	High-byte check-sum (Hex)	Low-byte check-sum (Hex)	
Code 93	Activate	05	57	B7	01	0E	FE	DE	
	Deactivate	05	57	B7	01	0D	FE	DF	
	Read length	Each length	05	57	B7	10	00	FE	DD
		1 discrete length	05	57	B7	11	1 byte of the length	*2	*2
		2 discrete lengths	06	57	B7	12	2 bytes of the length	*2	*2
		Length in the field	06	57	B7	13	2 bytes of the length	*2	*2
	Prefix for Code 93	*1	57	B7	50	1 ... 8 characters	*2	*2	
	Suffix for Code 93	*1	57	B7	53	1 ... 8 characters	*2	*2	
Code 32	Activate	05	57	B8	01	0E	FE	DD	
	Deactivate	05	57	B8	01	0D	FE	DE	

Function		Length (Hex)	Source (Hex)	ExID (Hex)	ExCMD (Hex)	Data (Hex)	High- byte check- sum (Hex)	Low- byte check- sum (Hex)	
Code 11	Activate	05	57	B9	01	0E	FE	DC	
	Deactivate	05	57	B9	01	0D	FE	DD	
	Verify check digit	Deactivate	05	57	B9	02	01	FE	E8
		1 check digit	05	57	B9	02	02	FE	E7
		2 check digits	05	57	B9	02	03	FE	E6
	Transmit check digit	Activate	05	57	B9	03	0E	FE	DA
		Deactivate	05	57	B9	03	0D	FE	DB
	Read length	Each length	05	57	B9	10	00	FE	DB
		1 discrete length	05	57	B9	11	1 byte of the length	*2	*2
		2 discrete lengths	06	57	B9	12	2 bytes of the length	*2	*2
		Length in the field	06	57	B9	13	2 bytes of the length	*2	*2
	Prefix for Code 11		*1	57	B9	50	1 ... 8 charac- ters	*2	*2
	Suffix for Code 11		*1	57	B9	53	1 ... 8 charac- ters	*2	*2

Function		Length (Hex)	Source (Hex)	ExID (Hex)	ExCMD (Hex)	Data (Hex)	High-byte check-sum (Hex)	Low-byte check-sum (Hex)	
Codabar	Activate	05	57	BA	01	0E	FE	DB	
	Deactivate	05	57	BA	01	0D	FE	DC	
	Do not check	05	57	BA	02	01	FE	E7	
	Check and transmit	05	57	BA	02	02	FE	E6	
	Check without transmitting	05	57	BA	02	03	FE	E5	
	Transmit start / end character	Activate	05	57	BA	03	0E	FE	D9
		Deactivate	05	57	BA	03	0D	FE	DA
	Read length	Each length	05	57	BA	10	00	FE	DA
		1 discrete length	05	57	BA	11	1 byte of the length	*2	*2
		2 discrete lengths	06	57	BA	12	2 bytes of the length	*2	*2
		Length in the field	06	57	BA	13	2 bytes of the length	*2	*2
	Prefix for Codabar		*1	57	BA	50	1 ... 8 characters	*2	*2
	Suffix for Codabar		*1	57	BA	53	1 ... 8 characters	*2	*2
Plessey	Activate	05	57	BB	01	0E	FE	DA	
	Deactivate	05	57	BB	01	0D	FE	DB	
	Read length	Each length	05	57	BB	10	00	FE	D9
		1 discrete length	05	57	BB	11	1 byte of the length	*2	*2
		2 discrete lengths	06	57	BB	12	2 bytes of the length	*2	*2
		Length in the field	06	57	BB	13	2 bytes of the length	*2	*2
	Prefix for Plessey		*1	57	BB	50	1 ... 8 characters	*2	*2
	Suffix for Plessey		*1	57	BB	53	1 ... 8 characters	*2	*2

Function		Length (Hex)	Source (Hex)	ExID (Hex)	ExCMD (Hex)	Data (Hex)	High- byte check- sum (Hex)	Low- byte check- sum (Hex)	
MSI Plessey	Activate	05	57	BC	01	0E	FE	D9	
	Deactivate	05	57	BC	01	0D	FE	DA	
	Do not check	05	57	BC	02	01	FE	E5	
	Check Mod 10	05	57	BC	02	02	FE	E4	
	Check Mod 10/10	05	57	BC	02	03	FE	E3	
	Check Mod 11/10	05	57	BC	02	04	FE	E2	
	Transmit test data	Activate	05	57	BC	03	0E	FE	D7
		Deactivate	05	57	BC	03	0D	FE	D8
	Read length	Each length	05	57	BC	10	00	FE	D8
		1 discrete length	05	57	BC	11	1 byte of the length	*2	*2
		2 discrete lengths	06	57	BC	12	2 bytes of the length	*2	*2
		Length in the field	06	57	BC	13	2 bytes of the length	*2	*2
	Prefix for MSI Plessey		*1	57	BC	50	1 ... 8 charac- ters	*2	*2
	Suffix for MSI Plessey		*1	57	BC	53	1 ... 8 charac- ters	*2	*2

Function		Length (Hex)	Source (Hex)	ExID (Hex)	ExCMD (Hex)	Data (Hex)	High-byte check-sum (Hex)	Low-byte check-sum (Hex)	
2/5 Inter-leaved	Activate	05	57	BD	01	0E	FE	D8	
	Deactivate	05	57	BD	01	0D	FE	D9	
	Do not check	05	57	BD	02	01	FE	E4	
	Check and transmit	05	57	BD	02	02	FE	E3	
	Check without transmitting	05	57	BD	02	03	FE	E2	
	Read length	Each length	05	57	BD	10	00	FE	D7
		1 discrete length	05	57	BD	11	1 byte of the length	*2	*2
		2 discrete lengths	06	57	BD	12	2 bytes of the length	*2	*2
		Length in the field	06	57	BD	13	2 bytes of the length	*2	*2
	Prefix for 2/5 Inter-leaved		*1	57	BD	50	1 ... 8 characters	*2	*2
Suffix for 2/5 Inter-leaved		*1	57	BD	53	1 ... 8 characters	*2	*2	
2/5 IATA	Activate	05	57	BE	01	0E	FE	D7	
	Deactivate	05	57	BE	01	0D	FE	D8	
	Prefix for 2/5 IATA	*1	57	BE	50	0E	*2	*2	
	Suffix for 2/5 IATA	*1	57	BE	53	0D	*2	*2	
2/5 Hong Kong	Activate	05	57	BF	01	0E	FE	D6	
	Deactivate	05	57	BF	01	0D	FE	D7	
	Read length	Each length	05	57	BF	10	00	FE	D5
		1 discrete length	05	57	BF	11	1 byte of the length	*2	*2
		2 discrete lengths	06	57	BF	12	2 bytes of the length	*2	*2
		Length in the field	06	57	BF	13	2 bytes of the length	*2	*2
	Prefix for 2/5 Hong Kong		*1	57	BF	50	1 ... 8 characters	*2	*2
	Suffix for 2/5 Hong Kong		*1	57	BF	53	1 ... 8 characters	*2	*2

Function		Length (Hex)	Source (Hex)	ExID (Hex)	ExCMD (Hex)	Data (Hex)	High-byte check-sum (Hex)	Low-byte check-sum (Hex)	
2/5 Straight	Activate	05	57	D0	01	0E	FE	C5	
	Deactivate	05	57	D0	01	0D	FE	C6	
	Prefix for 2/5 Straight	*1	57	D0	50	1 ... 8 characters	*2	*2	
	Suffix for 2/5 Straight	*1	57	D0	53	1 ... 8 characters	*2	*2	
Pharma Code	Activate	05	57	D1	01	0E	FE	C4	
	Deactivate	05	57	D1	01	0D	FE	C5	
	Prefix for Pharma Code	*1	57	D1	50	1 ... 8 characters	*2	*2	
	Suffix for Pharma Code	*1	57	D1	53	1 ... 8 characters	*2	*2	
GS1 DataBar 14	Activate	05	57	D2	01	0E	FE	C3	
	Deactivate	05	57	D2	01	0D	FE	C4	
	GS1 DataBar 14 Stacked	Activate	05	57	D2	02	0E	FE	C2
		Deactivate	05	57	D2	02	0D	FE	C3
	AI (01) digit	Send	05	57	D2	03	0E	FE	C1
		Do not transmit	05	57	D2	03	0D	FE	C2
	Prefix for GS1 DataBar 14	*1	57	D2	50	1 ... 8 characters	*2	*2	
Suffix for GS1 DataBar 14	*1	57	D2	53	1 ... 8 characters	*2	*2		
GS1 DataBar Expanded	Activate	05	57	D3	01	0E	FE	C2	
	Deactivate	05	57	D3	01	0D	FE	C3	
	GS1 DataBar Expanded Stacked	Activate	05	57	D3	02	0E	FE	C1
		Deactivate	05	57	D3	02	0D	FE	C2
	AI (01) digit	Send	05	57	D3	03	0E	FE	C0
		Do not transmit	05	57	D3	03	0D	FE	C1
	Prefix for GS1 DataBar Expanded	*1	57	D3	50	1 ... 8 characters	*2	*2	
Suffix for GS1 DataBar Expanded	*1	57	D3	53	1 ... 8 characters	*2	*2		

Function		Length (Hex)	Source (Hex)	ExID (Hex)	ExCMD (Hex)	Data (Hex)	High-byte check-sum (Hex)	Low-byte check-sum (Hex)	
GS1 DataBar Limited	Activate	05	57	D4	01	0E	FE	C1	
	Deactivate	05	57	D4	01	0D	FE	C2	
	AI (01) digit	Send	05	57	D4	02	0E	FE	C0
		Do not transmit	05	57	D4	02	0D	FE	C1
	Prefix for GS1 DataBar Limited	*1	57	D4	50	1 ... 8 characters	*2	*2	
	Suffix for GS1 DataBar Limited	*1	57	D4	53	1 ... 8 characters	*2	*2	
CC-A	Activate	05	57	D5	01	0E	FE	C0	
	Deactivate	05	57	D5	01	0D	FE	C1	
	Prefix for CC-A	*1	57	D5	50	1 ... 8 characters	*2	*2	
	Suffix for CC-A	*1	57	D5	53	1 ... 8 characters	*2	*2	
CC-B	Activate	05	57	D6	01	0E	FE	BF	
	Deactivate	05	57	D6	01	0D	FE	C0	
	Prefix for CC-B	*1	57	D6	50	1 ... 8 characters	*2	*2	
	Suffix for CC-B	*1	57	D6	53	1 ... 8 characters	*2	*2	
CC-C	Activate	05	57	D7	01	0E	FE	BE	
	Deactivate	05	57	D7	01	0D	FE	BF	
	Prefix for CC-C	*1	57	D7	50	1 ... 8 characters	*2	*2	
	Suffix for CC-C	*1	57	D7	53	1 ... 8 characters	*2	*2	
PDF417	Activate	05	57	D8	01	0E	FE	BD	
	Deactivate	05	57	D8	01	0D	FE	BE	
	Prefix for PDF417	*1	57	D8	50	1 ... 8 characters	*2	*2	
	Suffix for PDF417	*1	57	D8	53	1 ... 8 characters	*2	*2	

Function		Length (Hex)	Source (Hex)	ExID (Hex)	ExCMD (Hex)	Data (Hex)	High-byte check-sum (Hex)	Low-byte check-sum (Hex)	
Micro PDF417	Activate	05	57	D9	01	0E	FE	BC	
	Deactivate	05	57	D9	01	0D	FE	BD	
	Prefix for Micro PDF417	*1	57	D9	50	1 ... 8 characters	*2	*2	
	Suffix for Micro PDF417	*1	57	D9	53	1 ... 8 characters	*2	*2	
Data Matrix	Activate	05	57	DA	01	0E	FE	BB	
	Deactivate	05	57	DA	01	0D	FE	BC	
	Mirror code	Activate	05	57	DA	02	0E	FE	BA
		Deactivate	05	57	DA	02	0D	FE	BB
	Rectangular Data Matrix	Activate	05	57	DA	03	0E	FE	B9
		Deactivate	05	57	DA	03	0D	FE	BA
	Prefix for Data Matrix	*1	57	DA	50	1 ... 8 characters	*2	*2	
Suffix for Data Matrix	*1	57	DA	53	1 ... 8 characters	*2	*2		
QR	Activate	05	57	DB	01	0E	FE	BA	
	Deactivate	05	57	DB	01	0D	FE	BB	
	Mirror code	Activate	05	57	DB	02	0E	FE	B9
		Deactivate	05	57	DB	02	0D	FE	BA
	Prefix for QR	*1	57	DB	50	1 ... 8 characters	*2	*2	
Suffix for QR	*1	57	DB	53	1 ... 8 characters	*2	*2		
Micro QR	Activate	05	57	DC	01	0E	FE	B9	
	Deactivate	05	57	DC	01	0D	FE	BA	
	Prefix for Micro QR	*1	57	DC	50	1 ... 8 characters	*2	*2	
	Suffix for Micro QR	*1	57	DC	53	1 ... 8 characters	*2	*2	

Function		Length (Hex)	Source (Hex)	ExID (Hex)	ExCMD (Hex)	Data (Hex)	High-byte check-sum (Hex)	Low-byte check-sum (Hex)	
Aztec	Activate	05	57	DD	01	0E	FE	B8	
	Deactivate	05	57	DD	01	0D	FE	B9	
	Mirror code	Activate	05	57	DD	02	0E	FE	B7
		Deactivate	05	57	DD	02	0D	FE	B8
	Prefix for Aztec		*1	57	DD	50	1 ... 8 characters	*2	*2
	Suffix for Aztec		*1	57	DD	53	1 ... 8 characters	*2	*2
MaxiCode	Activate	05	57	DE	01	0E	FE	B7	
	Deactivate	05	57	DE	01	0D	FE	B8	
	Mirror code	Activate	05	57	DE	02	0E	FE	B6
		Deactivate	05	57	DE	02	0D	FE	B7
	Prefix for MaxiCode		*1	57	DE	50	1 ... 8 characters	*2	*2
	Suffix for MaxiCode		*1	57	DE	53	1 ... 8 characters	*2	*2
Han Xin	Activate	05	57	E0	01	0E	FE	B5	
	Deactivate	05	57	E0	01	0D	FE	B6	
	Prefix for Han Xin		*1	57	E0	50	1 ... 8 characters	*2	*2
	Suffix for Han Xin		*1	57	E0	53	1 ... 8 characters	*2	*2

*1 data length

*2 see checksum calculation

7.2.2 Decoder and general decoding parameters

Tab. 7.3: Decoding parameters

Function		Length (Hex)	Source (Hex)	ExID (Hex)	ExCMD (Hex)	Data (Hex)	High- byte check- sum (Hex)	Low- byte check- sum (Hex)
Activate all symbologies		05	57	B0	01	0E	FE	E5
1D symbologies	Activate	05	57	B0	01	01	FE	F2
	Deactivate	05	57	B0	01	03	FE	F0
2D symbologies	Activate	05	57	B0	01	02	FE	F1
	Deactivate	05	57	B0	01	04	FE	EF
Decoding timeout	No limit	05	57	A1	06	01	FE	FC
	5 s	05	57	A1	06	02	FE	FB
	10 s	05	57	A1	06	03	FE	FA
Identical code- reading interval	Deactivate	05	57	A1	08	00	FE	FB
	Do not read again	05	57	A1	08	01	FE	FA
	100 ms	05	57	A1	08	02	FE	F9
	200 ms	05	57	A1	08	03	FE	F8
	300 ms	05	57	A1	08	04	FE	F7
	500 ms	05	57	A1	08	05	FE	F6
	1 s	05	57	A1	08	06	FE	F5
	2 s	05	57	A1	08	07	FE	F4
	3 s	05	57	A1	08	08	FE	F3
	4 s	05	57	A1	08	09	FE	F2
5 s	05	57	A1	08	0A	FE	F1	
Decoding redun- dancy	Deactivate	05	57	A1	0B	01	FE	F7
	2x	05	57	A1	0B	02	FE	F6
	3x	05	57	A1	0B	03	FE	F5
Decoding informa- tion	Activate	05	57	A2	01	0E	FE	F3
	Deactivate	05	57	A2	01	0D	FE	F4
Barcode ID	Deactivate	05	57	A2	02	00	FF	00
	AIM ID	05	57	A2	02	01	FE	FF
Final character	None	05	57	A2	03	01	FE	FE
	CR/LF	05	57	A2	03	02	FE	FD
	CR	05	57	A2	03	03	FE	FC
	TAB	05	57	A2	03	04	FE	FB
Multicode reading	None	05	57	A1	10	00	FE	F3
	2	05	57	A1	10	02	FE	F1
	3	05	57	A1	10	03	FE	F0
	4	05	57	A1	10	04	FE	EF

Function		Length (Hex)	Source (Hex)	ExID (Hex)	ExCMD (Hex)	Data (Hex)	High-byte check-sum (Hex)	Low-byte check-sum (Hex)
Prefix (max. 4 characters)	Example = "LEUZ"	08	57	B0	50	4C 45 55 5A	FD	61
	Example = "L"	05	57	B0	50	4C	FE	58
	Deactivate	05	57	B0	50	00	FE	A4
Suffix (max. 4 characters)	Example = "LEUZ"	08	57	B0	53	4C 45 55 5A	FD	5E
	Example = "L"	05	57	B0	53	4C	FE	55
	Deactivate	05	57	B0	53	00	FE	A1

7.2.3 Scan engine operation

Tab. 7.4: Scan operation

Function		Length (Hex)	Source (Hex)	ExID (Hex)	ExCMD (Hex)	Data (Hex)	High-byte check-sum (Hex)	Low-byte check-sum (Hex)
Scan control	Start scan	05	57	A0	01	01	FF	02
	Stop scan	05	57	A0	01	00	FF	03

7.2.4 Scan engine acknowledgement

Tab. 7.5: Acknowledgements

Function		Length (Hex)	Source (Hex)	ExID (Hex)	ExCMD (Hex)	Data (Hex)	High-byte check-sum (Hex)	Low-byte check-sum (Hex)
ACK acknowledgement	Activate	05	57	A0	00	01	FF	03
	Deactivate	05	57	A0	00	00	FF	04
Error message	Activate	05	57	A1	0E	01	FE	F4
	Deactivate	05	57	A1	0E	00	FE	F5

When a terminal transmits an instruction to a device, the device sends back the following message so that the terminal can determine whether the instruction was successful or failed.

If the command set is **successful**, the decoding device sends the following 5-byte data in hexadecimal (**ACK**) to the end terminal.

52	A0	EC	FE	74
----	----	----	----	----

If the command set **fails**, the decoding device sends the following 5-byte data in hexadecimal (**NAK**) to the end terminal.

52	A0	E0	FE	80
----	----	----	----	----

7.2.5 Communication and output

Tab. 7.6: Communication and output

Function		Length (Hex)	Source (Hex)	ExID (Hex)	ExCMD (Hex)	Data (Hex)	High-byte check-sum (Hex)	Low-byte check-sum (Hex)
Confirm communication status		05	57	0E	0D	01	FF	88
Baud rate	9600	05	57	A1	0C	01	FE	F6
	19200	05	57	A1	0C	02	FE	F5
	38400	05	57	A1	0C	03	FE	F4
	57600	05	57	A1	0C	04	FE	F3
	115200	05	57	A1	0C	05	FE	F2
	230400	05	57	A1	0C	06	FE	F1
Output interface	Virtual serial port	05	57	A1	49	03	FE	B7
	USB	05	57	A1	49	02	FE	B8
	Serial port	05	57	A1	49	01	FE	B9

7.2.6 Power mode parameters

Tab. 7.7: Power mode parameters

Function		Length (Hex)	Source (Hex)	ExID (Hex)	ExCMD (Hex)	Data (Hex)	High-byte check-sum (Hex)	Low-byte check-sum (Hex)
Sleep Mode Timer	Deactivate	05	57	A1	07	01	FE	FB
	1 s	05	57	A1	07	02	FE	FA
	2 s	05	57	A1	07	03	FE	F9
	3 s	05	57	A1	07	04	FE	F8
	5 s	05	57	A1	07	05	FE	F7
	7 s	05	57	A1	07	06	FE	F6
	10 s	05	57	A1	07	07	FE	F5
	15 s	05	57	A1	07	08	FE	F4

7.2.7 General information on the scan engine

Tab. 7.8: General information

Function		Length (Hex)	Source (Hex)	ExID (Hex)	ExCMD (Hex)	Data (Hex)	High-byte check-sum (Hex)	Low-byte check-sum (Hex)
Get firmware information		05	57	0E	0D	02	FF	87
Check scan mode		05	57	0E	0D	03	FF	86
Read scan mode		05	57	0E	0D	04	FF	85
Read decoding results		05	57	0E	0D	05	FF	84

7.2.8 Scan engine configuration

Tab. 7.9: Configuration

Function		Length (Hex)	Source (Hex)	ExID (Hex)	ExCMD (Hex)	Data (Hex)	High- byte check- sum (Hex)	Low- byte check- sum (Hex)
Scan mode	Trigger mode	05	57	A1	02	01	FF	00
	Sensor mode	05	57	A1	02	02	FE	FF
	Continuous mode	05	57	A1	02	03	FE	FE
Target LED	Deactivate	05	57	A1	03	00	FF	00
	Scan on	05	57	A1	03	01	FE	FF
	Always on	05	57	A1	03	02	FE	FE
Illumination light	Deactivate	05	57	A1	04	00	FE	FF
	Scan on	05	57	A1	04	01	FE	FE
	Always on	05	57	A1	04	02	FE	FD
Decoding signaler	Activate	05	57	A1	05	0E	FE	F0
	Deactivate	05	57	A1	05	0D	FE	F1
Light intensity	Low	05	57	A1	09	01	FE	F9
	Medium	05	57	A1	09	02	FE	F8
	High	05	57	A1	09	03	FE	F7
Sensor sensitivity	Low sensitivity	05	57	A1	0A	01	FE	F8
	Medium sensitiv- ity	05	57	A1	0A	02	FE	F7
	High sensitivity	05	57	A1	0A	03	FE	F6
Save setup		05	57	A0	08	01	FE	FB
Factory reset		05	57	A1	01	0F	FE	F3
Reboot		05	57	A0	08	FF	FD	FD

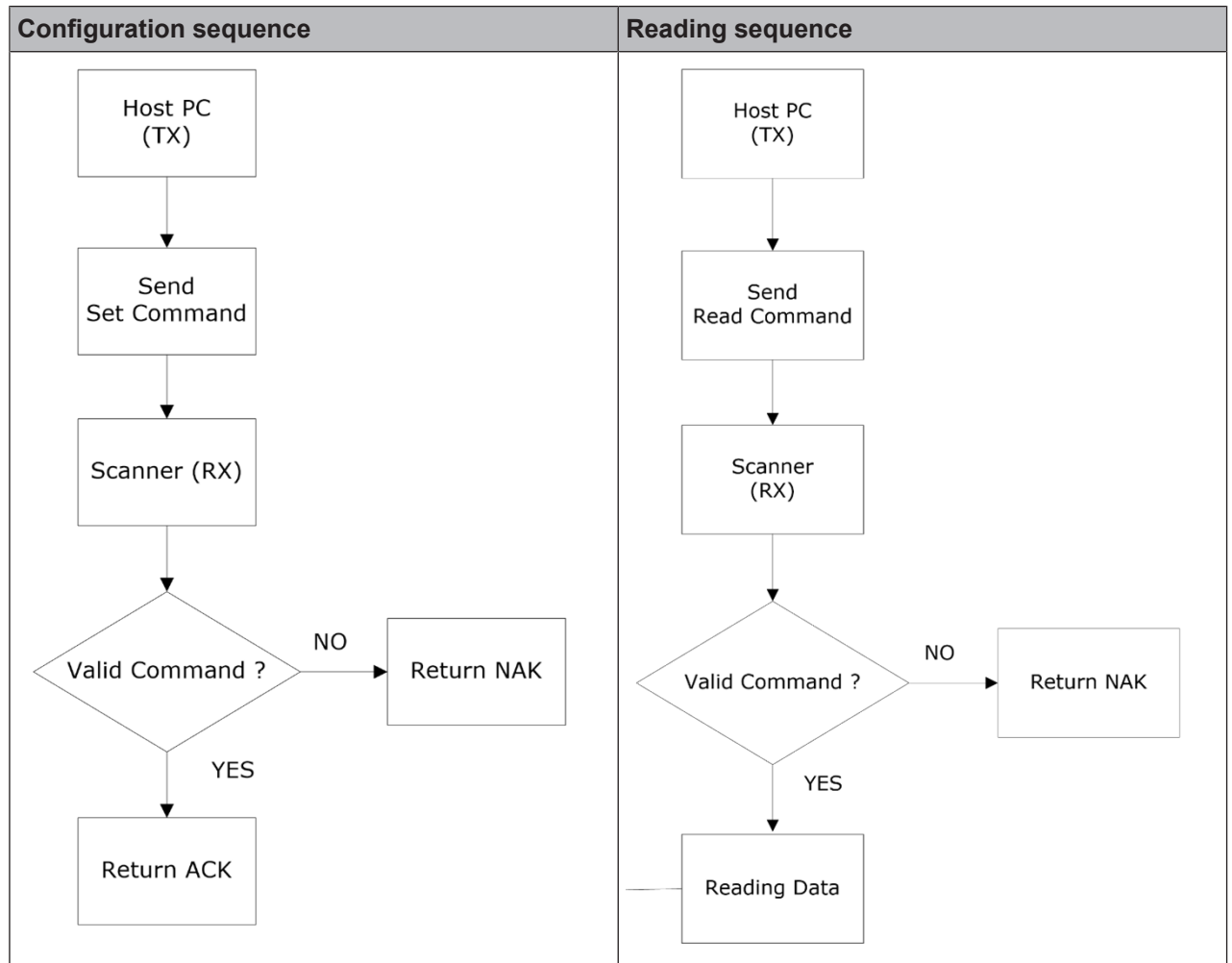
8 Command protocol

Each device has a clearly defined protocol for communication. The protocol consists of serial commands.

Serial commands

The user usually uses the command protocol when communicating with the device. The illustration shows the unformatted command sequence for sending a command to the device.

Tab. 8.1: Command sequence



9 Care, maintenance and disposal

Cleaning

Clean the glass window of the device with a soft cloth before mounting.

NOTICE

**Do not use aggressive cleaning agents!**

Do not use aggressive cleaning agents such as thinner or acetone for cleaning the device.

Maintenance

Usually, the device does not require any maintenance by the operator.

Repairs to the device must only be carried out by the manufacturer.

For repairs, contact your responsible Leuze subsidiary or Leuze customer service (see chapter 10 "Service and support").

Disposing

NOTICE



For disposal observe the applicable national regulations regarding electronic components.

10 Service and support

Service hotline

You can find the contact information for the hotline in your country on our website www.leuze.com under **Contact & Support**.

Repair service and returns


Defective devices are repaired in our service centers competently and quickly. We offer you an extensive service packet to keep any system downtimes to a minimum. Our service center requires the following information:

- Your customer number
- Product description or part description
- Serial number or batch number
- Reason for requesting support together with a description

Please register the merchandise concerned. Simply register return of the merchandise on our website www.leuze.com under **Contact & Support > Repair Service & Returns**.

To ensure quick and easy processing of your request, we will send you a returns order with the returns address in digital form.

What to do should servicing be required?

NOTICE	
	<p>Please use this chapter as a master copy should servicing be required!</p> <p>↪ Enter the contact information and fax this form together with your service order to the fax number given below.</p>

Customer data (please complete)

Device type:	
Serial number:	
Firmware:	
Display messages	
Status of LEDs:	
Error description:	
Company:	
Contact person/department:	
Phone (direct dial):	
Fax:	
Street/No:	
ZIP code/City:	
Country:	

Leuze Service fax number:

+49 7021 573-199

11 Technical data

11.1 General specifications

Tab. 11.1: Optics

Optical system	CMOS imager, global shutter (1280 x 960)
Reading field	45 mm ... 400 mm, code-dependent
Contrast	Minimum 20%
Resolution	1D code: m = 4 mil, distance-dependent 2D code: m = 7 mil, distance-dependent
Light sources <ul style="list-style-type: none"> • Illumination • Alignment LEDs (Aimer) 	Integrated LEDs <ul style="list-style-type: none"> • Visible white light • Visible red light

Tab. 11.2: Code specifications

Code type: 1D	UPC-A, UPC-E, EAN-8, EAN-13, Code 128, Code 39, Code 93, Code 32, Code 11, Codabar, Plessey, MSI, 2/5 Interleaved, 2/5 IATA, 2/5 Hong Kong, 2/5 Straight, Pharma Code, RSS-14, GS1
Code type: 2D	PDF417, MicroPDF417, Data Matrix, QR, Micro QR, Aztec, MaxiCode, Han Xin Code

Tab. 11.3: Interfaces

Interfaces	RS 232, USB (HID; CDC)
Baud rate	9600 ... 230400 baud, configurable
Trigger	Switching input <ul style="list-style-type: none"> • active: 0 V • inactive: +3.3 V or not connected
Switching output	NPN transistor output, max. 8 mA, Good Read, impulse
Buzzer	NPN- transistor output, Good Read, PWM

Tab. 11.4: Electrical connection

Supply voltage	3.3 V DC \pm 5%
Current consumption	170 mA \pm 10% (typical) 230 mA \pm 10% (maximum)
Standby current	50 mA \pm 5%

Tab. 11.5: Mechanical data


Connection type	12-pin FFC connector
Weight	6g
Dimensions (W x D x H)	21.6 x 15.8 x 11.8 mm
Fastening	2 screws M1.6, 2.5 mm deep

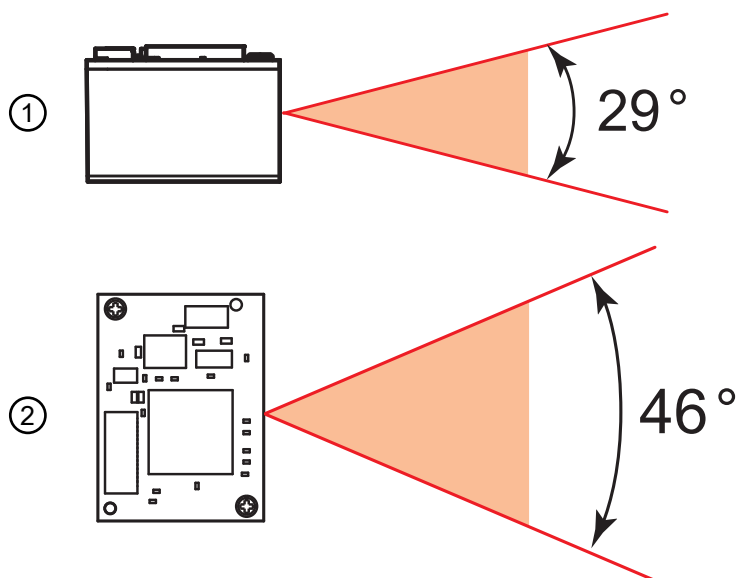
Tab. 11.6: Environmental data

Ambient temperature, operation	0°C ... +50°C
Ambient temperature, storage	-40 °C ... +70 °C
air humidity	5% ... 95% relative humidity, non-condensing
Ambient light	0 ... 8,600 Lux (candles) 0 ... 100,000 Lux (direct sunlight)
Electromagnetic compatibility	EN 55022:2006 Class B
Conformity	CE

11.2 Reading field

NOTICE

 Please note that the actual reading fields are also influenced by factors such as labeling material, printing quality, reading angle, printing contrast etc., and may thus deviate from the reading fields specified here. The origin of the read distance always refers to the front edge of the housing of the beam exit.



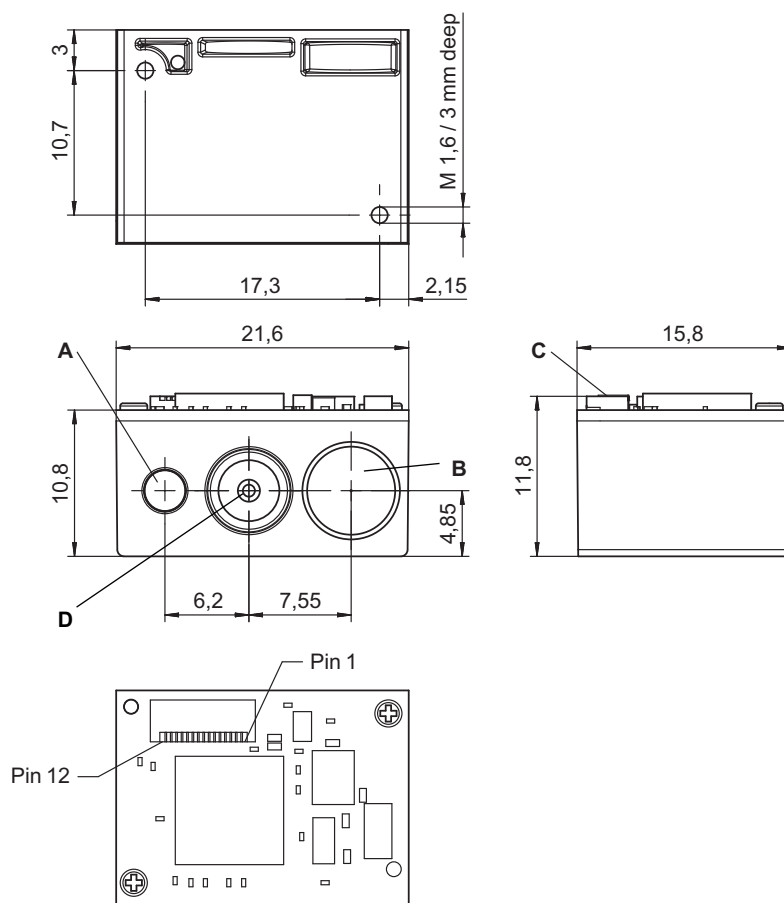
- 1 Reading field – lateral view
- 2 Reading field – top view

Fig. 11.1: Reading fields

Tab. 11.7: Resolution and reading distance depending on code type

Code type	Resolution [mil]	Typical reading distance [mm]
Code 39 / Code 128	4	50 ... 175
EAN-13	13	45 ... 400
QR / Data Matrix code	7	60 ... 120

11.3 Dimensioned drawings



All dimensions in mm

- A Integrated target LED (red light)
- B Integrated LED for illumination (white light)
- C 12-pin FFC (flexible flat cable)
- D Center of optical axis

Fig. 11.2: DCR50M2/R2-S7 dimensioned drawing

12 Order guide and accessories

12.1 Type overview

Tab. 12.1: Part numbers

Part no.	Part designation	Description
50151528	DCR50M2/R2-S7	Stationary scan engine for 1D and 2D codes


12.2 Accessories

Tab. 12.2: Accessories

Part no.	Part designation	Description
50151531	MA-DCR50-S7	Adapter set

13 EC Declaration of Conformity

The scan engines of the DCR 50 series have been developed and manufactured in accordance with the applicable European standards and directives.

NOTICE	
	<p>You can download the EC Declaration of Conformity from the Leuze website.</p> <ul style="list-style-type: none">↳ Call up the Leuze website: www.leuze.com.↳ Enter the type designation or part number of the device as the search term. The article number can be found on the name plate of the device under the entry "Part. No.".↳ The documents can be found on the product page for the device under the <i>Downloads</i> tab.

14 Appendix

14.1 Bar code sample



1122334455

Module 0.3

Fig. 14.1: Code type 01: 2/5 Interleaved



135AC

Module 0.3

Fig. 14.2: Code type 02: Code 39



a121314a

Module 0.3

Fig. 14.3: Code type 11: Codabar



abcde

Module 0.3

Fig. 14.4: Code 128



leuze

Module 0.3

Fig. 14.5: Code type 08: EAN-128



1 23456 78901 2

SC 2

Fig. 14.6: Code type 06: UPC-A



SC 3

Fig. 14.7: Code type 07: EAN-8

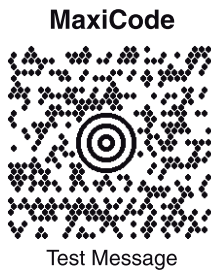


Fig. 14.8: 2D example codes