

## Technical data sheet

### Safety relay

Part no.: 50133028

MSI-SR-CM43DT03-01

#### Contents

- Technical data
- Dimensioned drawings
- Electrical connection
- Circuit diagrams
- Notes



Figure can vary



## Technical data

### Basic data

Series	MSI-SR-CM43
Application	Extension unit for safety relays

### Functions

Functions	Monitoring of proximity switches
Restart	Automatic

### Characteristic parameters

SIL	2, IEC 61508
SILCL	2, IEC/EN 62061
Performance Level (PL)	d, EN ISO 13849-1
PFH <sub>D</sub>	0.000002 per hour
Mission time T <sub>M</sub>	20 years, EN ISO 13849-1
Category	3, EN ISO 13849

### Electrical data

#### Supply circuit

Min. rated control supply voltage U<sub>s</sub> at DC 20.4 V

Max. rated control supply voltage at DC 26.4 V

Min. rated control supply voltage at DC 20.4 V

#### Output circuit

Number of outputs, safety-oriented, delayed, contact-based 4 Piece(s)

Number of outputs, signaling function, delayed, contact-based 3 Piece(s)

### Connection

Number of connections	1 Piece(s)
-----------------------	------------

### Connection 1

Function	Signal IN
	Signal OUT
	Voltage supply
Type of connection	Terminal
Type of terminal	Screw terminal
No. of pins	16 -pin

### Cable properties

Connection cross sections	1 x 0.2 to 2.5 mm <sup>2</sup> , wire
	1 x 0.2 to 2.5 mm <sup>2</sup> , wire
	1 x 0.25 to 2.5 mm <sup>2</sup> , wire with wire-end sleeve
	2 x 0.2 to 1.0 mm <sup>2</sup> , wire
	2 x 0.2 to 1.0 mm <sup>2</sup> , wire
	2 x 0.25 to 1.0 mm <sup>2</sup> , wire with wire-end sleeve

### Mechanical data

Dimension (W x H x L)	22.5 mm x 96.5 mm x 114 mm
Net weight	200 g
Housing color	Gray
Type of fastening	Snap-on mounting

### Certifications

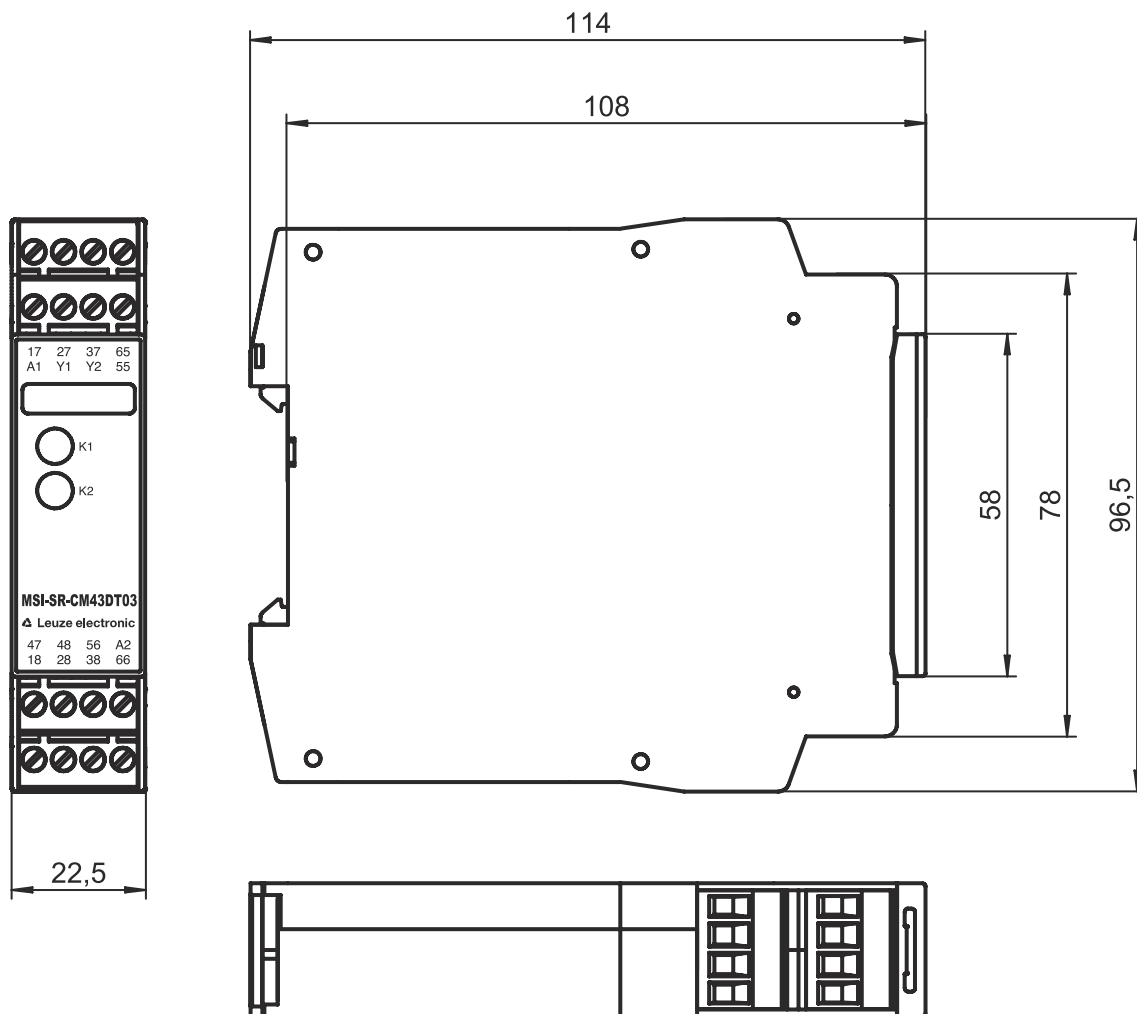
Certifications	c UL US
----------------	---------

### Classification

Customs tariff number	85364190
eCl@ss 8.0	27371819
eCl@ss 9.0	27371819
ETIM 5.0	EC001449
ETIM 6.0	EC001449

# Dimensioned drawings

All dimensions in millimeters



## Electrical connection

### Connection 1

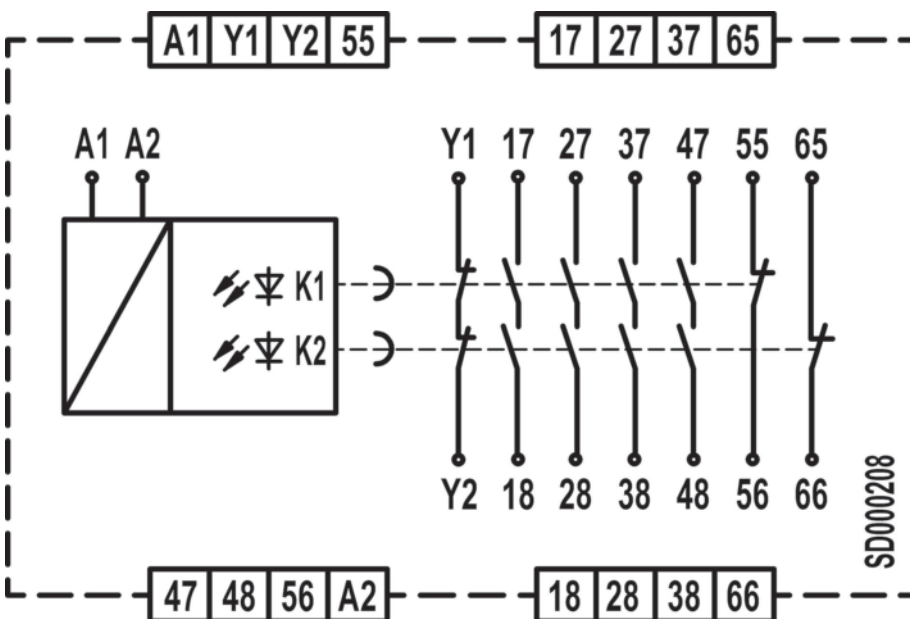
<b>Function</b>	Signal IN
	Signal OUT
	Voltage supply
<b>Type of connection</b>	Terminal
<b>Type of terminal</b>	Screw terminal
<b>No. of pins</b>	16 -pin

Pin	Pin assignment
	17
1	Release current path 1 (NO contact)
	18
2	Release current path 1 (NO contact)
	27
3	Release current path 2 (NO contact)

## Electrical connection

Pin	Pin assignment
	28
4	Release current path 2 (NO contact)
	37
5	Release current path 3 (NO contact)
	38
6	Release current path 3 (NO contact)
	47
7	Release current path 4 (NO contact)
	48
8	Release current path 4 (NO contact)
	55
9	Signaling current path 1 (NC contact)
	56
10	Signaling current path 1 (NC contact)
	65
11	Signaling current path 2 (NC contact)
	66
12	Signaling current path 2 (NC contact)
	A1
13	+24V
	A2
14	GND
	Y1
15	Feedback path (NC contact) for the coupling to the base device
	Y2
16	Feedback path (NC contact) for the coupling to the base device

## Circuit diagrams



## Notes



### Observe intended use!



- ↪ The product may only be put into operation by competent persons.
- ↪ Only use the product in accordance with its intended use.