

## Technical data sheet

### Device column

Part no.: 549867

UDC-2100-S2

#### Contents

- Technical data
- Dimensioned drawings
- Accessories



For illustration purposes only

## Technical data

### Basic data

|                                  |   |
|----------------------------------|---|
| <b>Series</b>                    | UDC   |
| <b>Contains</b>                  | BT-P40 clamp bracket, 2x<br>Mounting kit for floor assembly                                   |
| <b>Suitable for</b>              | MLC 500, MLC 300 safety light curtains<br>MLD 500, MLD 300 multiple light beam safety devices |
| <b>Type, columns and mirrors</b> | Device column   |

### Functions

|                  |   |
|------------------|---|
| <b>Functions</b> | Adjustable, 3 directions<br>Mounting and protection of light curtains and multiple light beam devices |
|------------------|---|

### Mechanical data

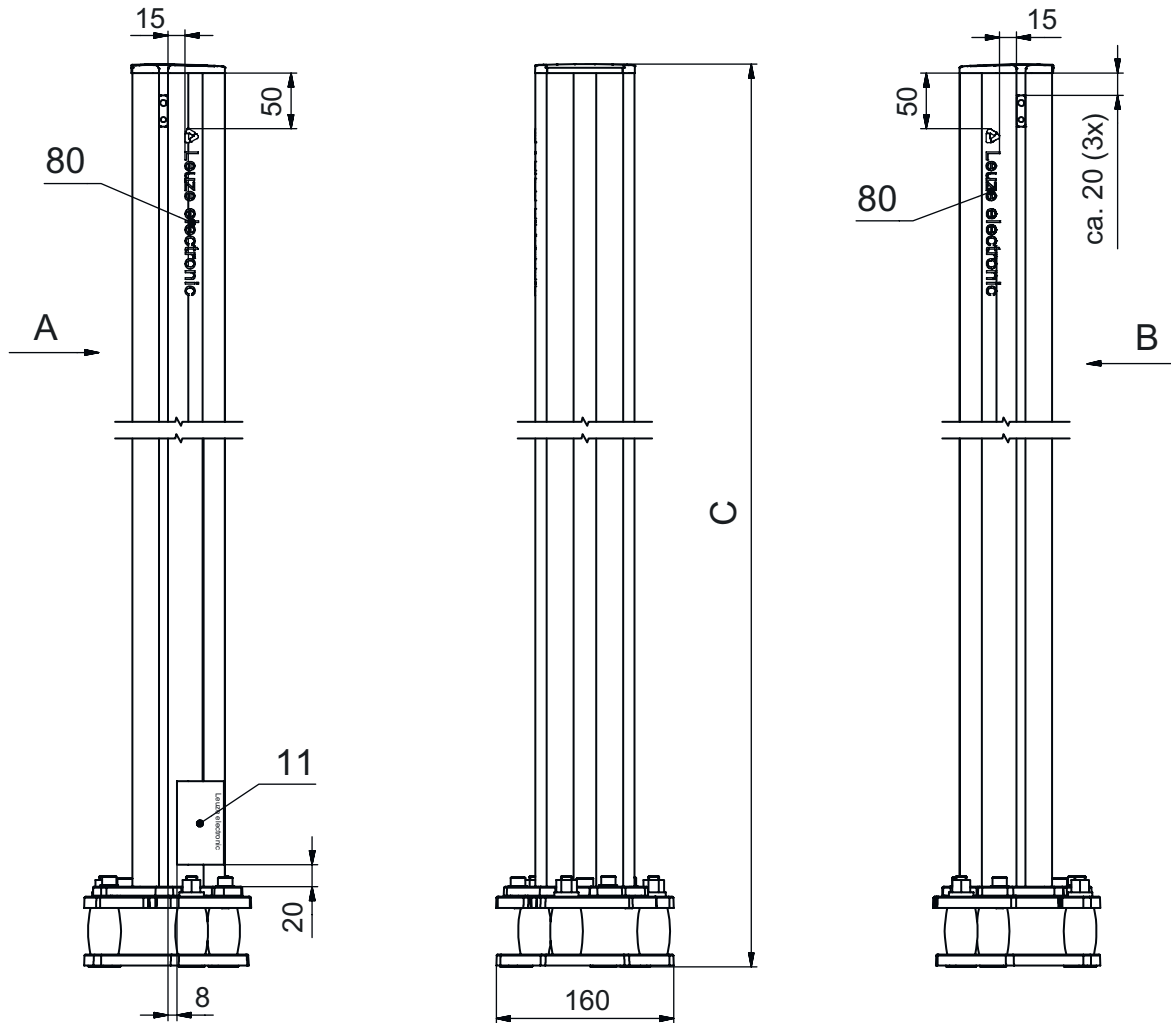
|   |                                  |
|---|----------------------------------|
| <b>Dimension (W x H x L)</b>            | 160 mm x 2,160 mm x 149 mm       |
| <b>Housing material</b>                 | Metal<br>Plastic                 |
| <b>Metal housing</b>                    | Aluminum                         |
| <b>Net weight</b>                       | 7,200 g                          |
| <b>Housing color</b>                    | Yellow, RAL 1021                 |
| <b>Type of fastening</b>                | Floor mounting<br>Mounting plate |
| <b>Mechanical reset function</b>        | Yes                              |
| <b>Column height without foot</b>       | 2,100 mm                         |
| <b>Exterior mounting of accessories</b> | Lateral<br>Rear                  |

### Classification

|                              |          |
|------------------------------|----------|
| <b>Customs tariff number</b> | 76042990 |
| <b>ECLASS 5.1.4</b>          | 27279290 |
| <b>ECLASS 8.0</b>            | 27279290 |
| <b>ECLASS 9.0</b>            | 27279090 |
| <b>ECLASS 10.0</b>           | 27273792 |
| <b>ECLASS 11.0</b>           | 27273792 |
| <b>ECLASS 12.0</b>           | 27273792 |
| <b>ECLASS 13.0</b>           | 27273792 |
| <b>ECLASS 14.0</b>           | 27273792 |
| <b>ECLASS 15.0</b>           | 27273792 |
| <b>ECLASS 16.0</b>           | 27273792 |
| <b>ETIM 5.0</b>              | EC002498 |
| <b>ETIM 6.0</b>              | EC003015 |
| <b>ETIM 7.0</b>              | EC003015 |
| <b>ETIM 8.0</b>              | EC003015 |
| <b>ETIM 9.0</b>              | EC003015 |
| <b>ETIM 10.0</b>             | EC003015 |
| <b>UNSPSC 26.08</b>          | 31242100 |

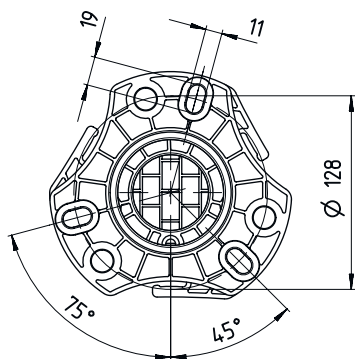
## Dimensioned drawings

All dimensions in millimeters

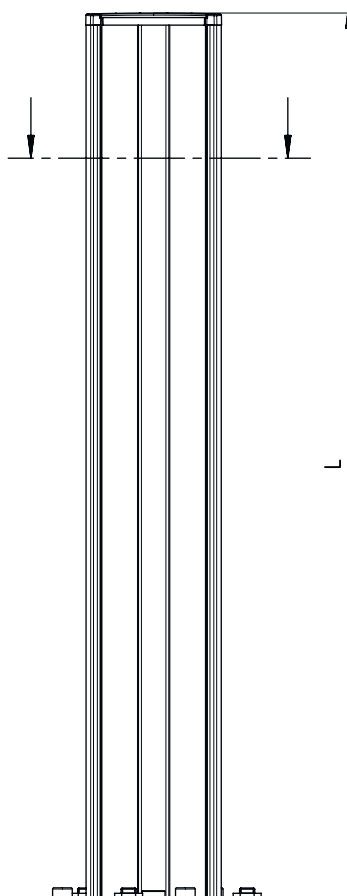


- A Front
- B Front
- C Total height = 2160 mm

# Dimensioned drawings

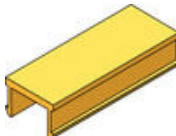


L Column height without foot = 2100 mm




## Accessories

### General


|  | Part no. | Designation         | Article | Description   |
|--|----------|---------------------|---------|---|
|  | 50144378 | SET 10x AC-UDC-2000 | Profile | Contains: 10x<br>Suitable for: UDC-S2, DC-S2 device columns<br>Dimensions: 2,000 mm<br>Color: Yellow<br>Material: PVC |

## Accessories

### Replacement part

|  | Part no. | Designation                 | Article                                   | Description  |
|--|----------|-----------------------------|---|--|
|  | 430220   | SP-SET AP UDC/DC/<br>UMC/MC | Device and mirror<br>column accessory set | Type of article: Adapter plate<br>Housing color: Black |

**Note**

 A list with all available accessories can be found on the Leuze website in the Download tab of the article detailed page.