

Technical data sheet

Mounting device

Part no.: 50144385

BTA 0100M

Contents

- Technical data
- Dimensioned drawings



For illustration purposes only

Technical data

Basic data

| | |
|----------------------------|--------------------------|
| Suitable for product group | Optical distance sensors |
| Suitable for | AMS 100i |

Mechanical data

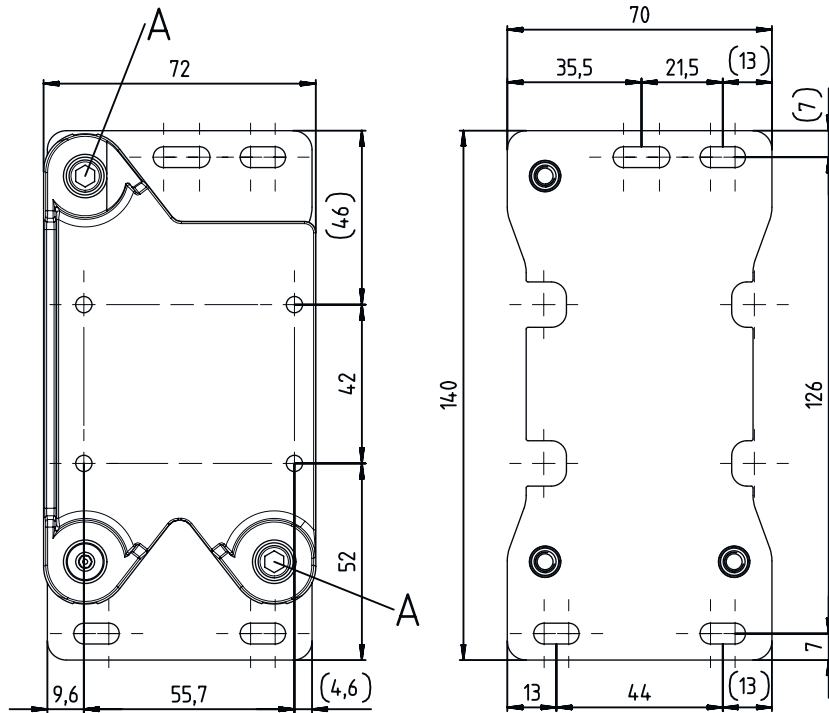
| | |
|------------------------------|-------------------------------|
| Net weight | 340 g |
| Type of fastening, at system | Through-hole mounting |
| Type of fastening, at device | Screw type |
| Type of mounting device | Adjustable |
| Mounting device material | Aluminum |
| | Steel |
| Material, at system | Steel, galvanized |
| Material, at device | Aluminum, with powder coating |

Classification

| | |
|-----------------------|----------|
| Customs tariff number | 39269097 |
| ECLASS 5.1.4 | 27279202 |
| ECLASS 8.0 | 27279202 |
| ECLASS 9.0 | 27273701 |
| ECLASS 10.0 | 27273701 |
| ECLASS 11.0 | 27273701 |
| ECLASS 12.0 | 27273701 |
| ECLASS 13.0 | 27273701 |
| ECLASS 14.0 | 27273701 |
| ECLASS 15.0 | 27273701 |
| ECLASS 16.0 | 27273701 |
| ETIM 5.0 | EC002498 |
| ETIM 6.0 | EC003015 |
| ETIM 7.0 | EC003015 |
| ETIM 8.0 | EC003015 |
| ETIM 9.0 | EC003015 |
| ETIM 10.0 | EC003015 |
| UNSPSC 26.08 | 31242100 |

Dimensioned drawings

All dimensions in millimeters



A Adjustment screws with hexagon socket WAF4