

Technical data sheet

Distribution box

Part no.: 50130994

MD 7XXP-11-82IO5-FK

Contents

- Technical data
- Dimensioned drawings
- Electrical connection
- Circuit diagrams
- Operation and display
- Accessories



For illustration purposes only



Technical data

Electrical data

Inputs

Switching element	PNP
-------------------	-----

Performance data

Total current	≤ 2 x 8 A
---------------	-----------

Input data logic

Nominal input voltage U_N	24 V DC
-----------------------------	---------

Connection

Master connection

Type of connection	Terminal
Function	Connection to the control
No. of pins	21 -pin
Hood material	Polybutylene (PBT)

Distribution box connections

Number of connections	8 Piece(s)
Thread size	M12
No. of pins	5 -pin
Encoding	A-coded
Type	Female
Material	Plastic
Material of O-ring seal	TPU
Material of contacts	Gold-plated
Operating current per contact	4 A

Mechanical data

Design	Cubic
Dimension (W x H x L)	50 mm x 15 mm x 150 mm
Housing material	Plastic
Net weight	210 g

Operation and display

Type of display	LED
-----------------	-----

Environmental data

Ambient temperature, operation	-20 ... 70 °C
--------------------------------	---------------

Certifications

Degree of protection	IP 65
----------------------	-------

	IP 67
--	-------

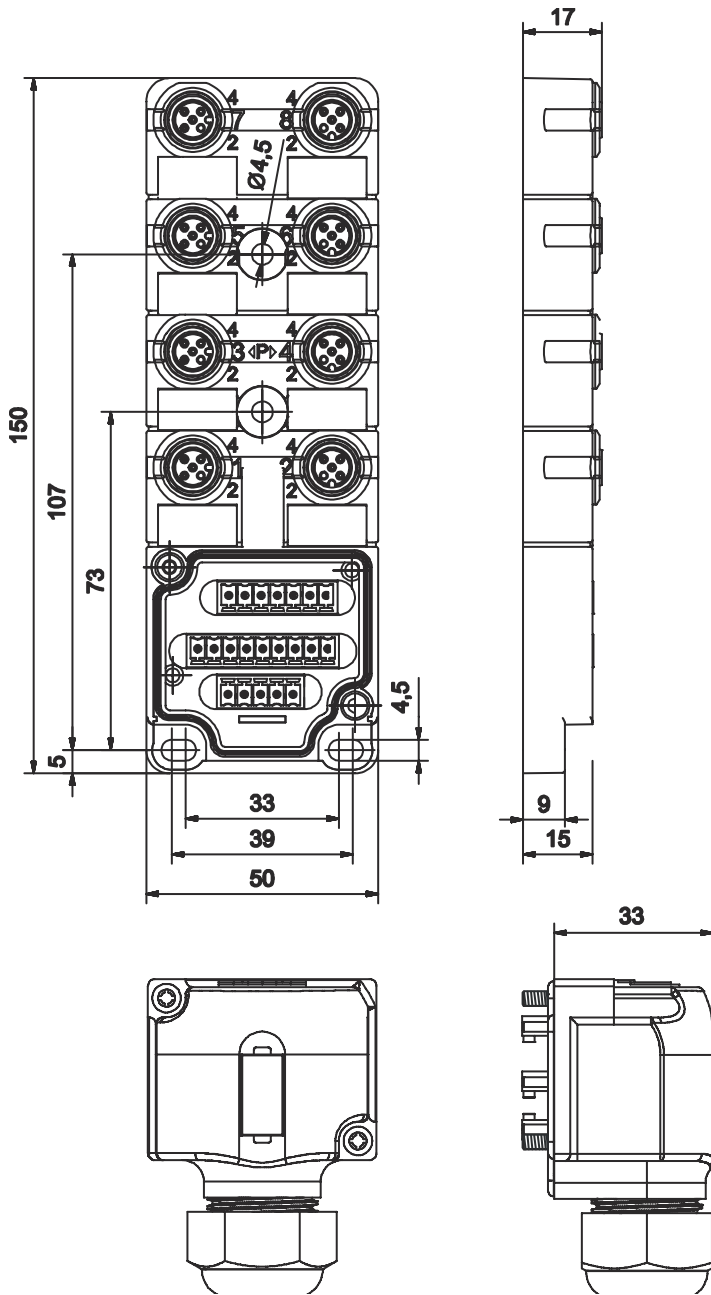
Approvals	c UL US
-----------	---------

Classification

Customs tariff number	85369010
ECLASS 5.1.4	27279201
ECLASS 8.0	27279219
ECLASS 9.0	27440108
ECLASS 10.0	27440108
ECLASS 11.0	27440108
ECLASS 12.0	27440108
ECLASS 13.0	27440108
ECLASS 14.0	27440108
ECLASS 15.0	27440108
ECLASS 16.0	27440108
ETIM 5.0	EC002585
ETIM 6.0	EC002585
ETIM 7.0	EC003558
ETIM 8.0	EC002585
ETIM 9.0	EC002585
ETIM 10.0	EC002585
UNSPSC 26.08	32151900

Dimensioned drawings

All dimensions in millimeters



Electrical connection

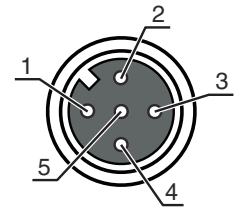
Connection 1

Type of connection	Terminal
No. of pins	21 -pin

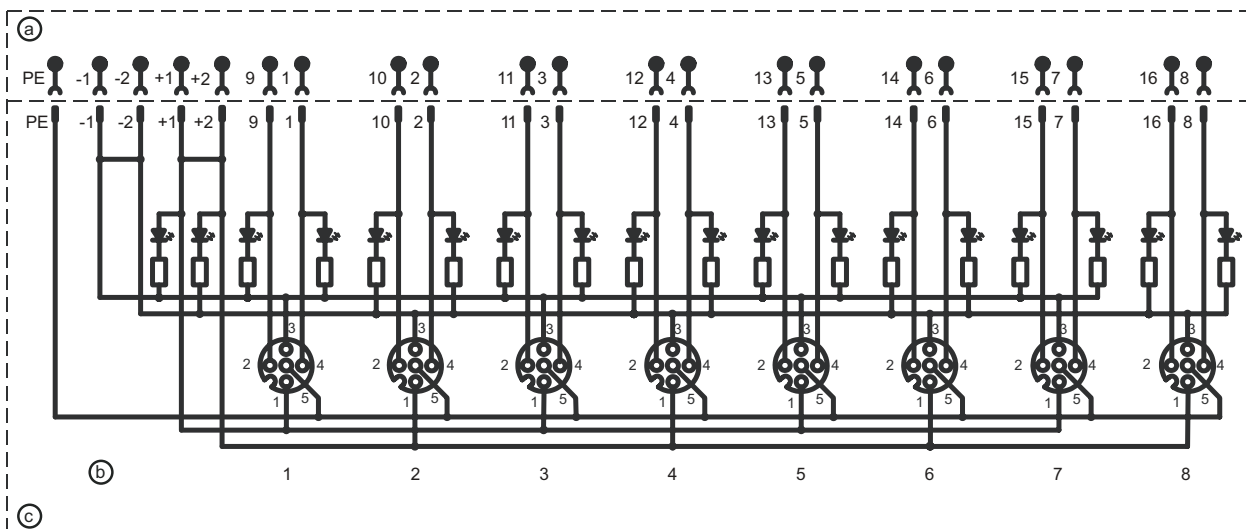
Electrical connection

Terminal	Assignment
9	Socket 1 / contact 2
10	Socket 2 / contact 2
11	Socket 3 / contact 2
12	Socket 4 / contact 2
13	Socket 5 / contact 2
14	Socket 6 / contact 2
16	Socket 8 / contact 2
1	Socket 1 / contact 4
2	Socket 2 / contact 4
3	Socket 3 / contact 4
4	Socket 4 / contact 4
+1	Socket 1-8 / contact 1
+2	Socket 1-8 / contact 1
-1	Socket 1-8 / contact 3
-2	Socket 1-8 / contact 3
PE	Socket 1-8 / contact 5
5	Socket 5 / contact 4
6	Socket 6 / contact 4
7	Socket 7 / contact 4
8	Socket 8 / contact 4
15	Socket 7 / contact 2

Pin	Pin assignment
1	+
2	NC(2)
3	-
4	NO(2)
5	PE



Circuit diagrams




- a Connection hood
- b Socket
- c Basic housing

Operation and display

LED	Display	Meaning
1	Green, continuous light	Operating voltage applied
2	Yellow, continuous light	Signal 1
3	White, continuous light	Signal 2

Accessories

General

	Part no.	Designation	Article	Description
	50134480	CAP M12K-Set	Connection cap	Type: Cap for free sockets Thread size: M12 Material: Plastic

Note



A list with all available accessories can be found on the Leuze website in the Download tab of the article detailed page.