

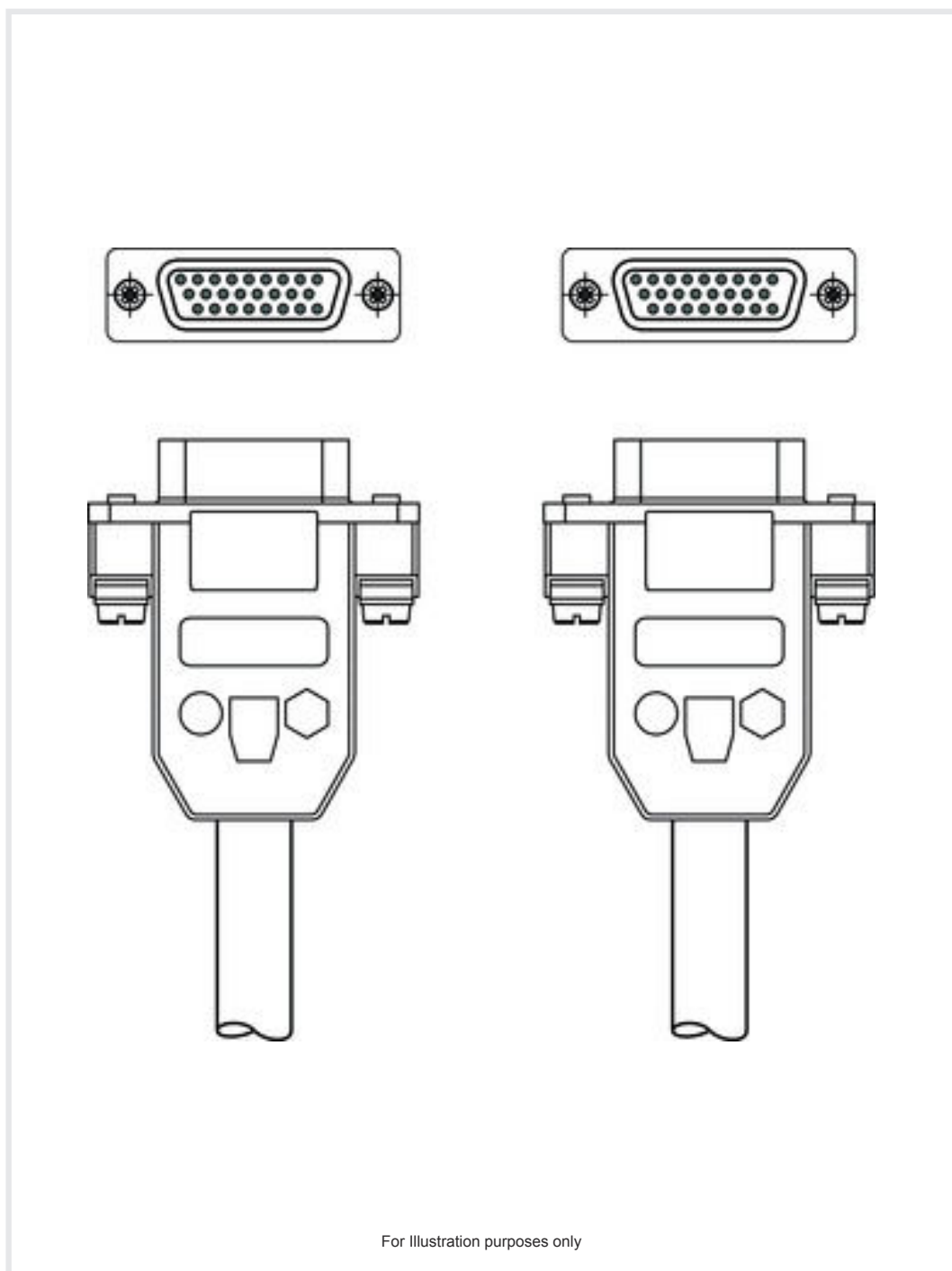
Technical data sheet Interconnection cable

Part no.: 50131533

KB 900-1000 MSC

Contents

- Technical data
- Electrical connection



For illustration purposes only

Technical data

Connection

Connection 1

Type of connection	Sub-D
Type	Male
No. of pins	25 -pin
Version	Axial

Connection 2

Type of connection	Sub-D
Type	Male
No. of pins	25 -pin
Version	Axial

Cable properties

Number of conductors	25 Piece(s)
Shielded	Yes
Cable design	Interconnection cable
Cable length	1,000 mm

Mechanical data

Net weight	200 g
------------	-------

Classification

Customs tariff number	85444290
ECLASS 5.1.4	27279201
ECLASS 8.0	27279218
ECLASS 9.0	27060311
ECLASS 10.0	27060311
ECLASS 11.0	27060311
ECLASS 12.0	27060311
ECLASS 13.0	27060311
ECLASS 14.0	27060311
ECLASS 15.0	27060311
ECLASS 16.0	27060311
ETIM 5.0	EC001855
ETIM 6.0	EC001855
ETIM 7.0	EC001855
ETIM 8.0	EC001855
ETIM 9.0	EC001855
ETIM 10.0	EC001855
UNSPSC 26.08	26121604

Electrical connection

Connection 1

Type of connection	Sub-D
Type	Male
No. of pins	25 -pin
Version	Axial

Connection 2

Type of connection	Sub-D
Type	Male
No. of pins	25 -pin
Version	Axial