

Technical data sheet

Safety relay

Part no.: 50133027

MSI-SR-CM43-03

Contents

- Technical data
- Dimensioned drawings
- Electrical connection
- Circuit diagrams
- Notes



For illustration purposes only



Technical data

Basic data

Series	MSI-SR-CM43
Application	Extension unit for safety relays

Functions

Functions	Monitoring of proximity switches
Restart	Automatic

Characteristic parameters

SIL	2, IEC 61508
SILCL	2, IEC/EN 62061
Performance Level (PL)	d, EN ISO 13849-1
MTTF _d	55 years, EN ISO 13849-1
PFH _D	8,1E-10 per hour
Mission time T _M	20 years, EN ISO 13849-1
Category	3, EN ISO 13849-1
B10 _d at DC13 (inductive load)	300,000 number of cycles, (5 A, 230 V), 700,000 (1 A, 230 V)
B10 _d at AC15 (inductive load)	200,000 number of cycles, (5 A, 230 V), 380,000 (1 A, 230 V)

Electrical data

Performance data	
Supply voltage U _B	24 V, DC, -20 ... 20 %
Supply circuit	
Nominal frequency	50 ... 60 Hz
Operating voltage	0.85 ... 1.1 x U _N
Rated power AC	3.3 V·A
Rated power DC	1.5 W
Output circuit	
Number of outputs, safety-oriented, non-delayed, contact-based	4 Piece(s)
Number of outputs, signaling function, non-delayed, contact-based	3 Piece(s)
Contact material	Ag alloy, gold-plated
Usage category AC-15 (NO contact)	Ue 230V, Ie 5A
Usage category DC-13 (NO contact)	Ue 24V, Ie 5A
Short circuit protection (NO contact)	gG class safety fuse 6A, melting integral
Max. total current I ² of all current paths	25 A ²
Mechanical life time	100,000,000 switching cycles
Control circuit	
Max. cable resistance, per channel	≤ (5 + (1.176 x U _B / U _N - 1) x 100) Ω

Connection

Number of connections	1 Piece(s)
-----------------------	------------

Connection 1

Function	Signal IN Signal OUT Voltage supply
Type of connection	Terminal
Type of terminal	Spring-cage terminal
No. of pins	16 - pin

Cable properties

Connection cross sections	2 x 0.2 to 1.5 mm ² , wire 2 x 0.2 to 1.5 mm ² , wire 2 x 0.25 to 1.5 mm ² , wire with wire-end sleeve
---------------------------	---

Mechanical data

Dimension (W x H x L)	22.5 mm x 106.5 mm x 114 mm
Net weight	200 g
Housing color	Gray
Type of fastening	Snap-on mounting

Environmental data

Ambient temperature, operation	-25 ... 55 °C
--------------------------------	---------------

Certifications

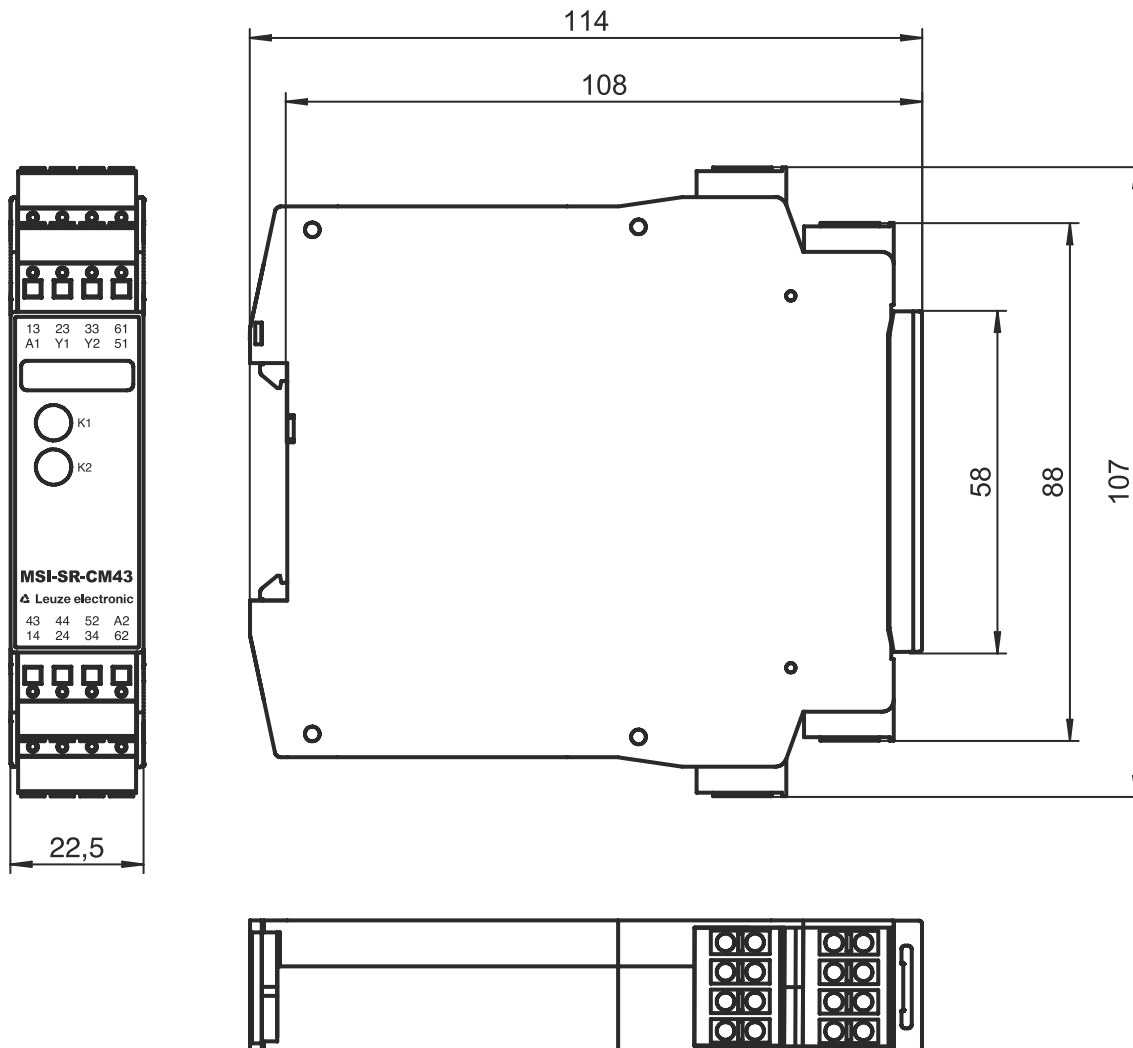
Approvals	c UL US TÜV Rheinland
-----------	--------------------------

Classification

Customs tariff number	85364900
ECLASS 5.1.4	27371800
ECLASS 8.0	27371819
ECLASS 9.0	27371819
ECLASS 10.0	27371819
ECLASS 11.0	27371819
ECLASS 12.0	27371819
ECLASS 13.0	27371819
ECLASS 14.0	27371819
ECLASS 15.0	27371819
ECLASS 16.0	27371819
ETIM 5.0	EC001449
ETIM 6.0	EC001449
ETIM 7.0	EC001449
ETIM 8.0	EC001449
ETIM 9.0	EC001449
ETIM 10.0	EC001449
UNSPSC 26.08	32151800

Dimensioned drawings

All dimensions in millimeters



Electrical connection

Connection 1

Function	Signal IN
	Signal OUT
	Voltage supply
Type of connection	Terminal
Type of terminal	Spring-cage terminal
No. of pins	16 -pin

Terminal

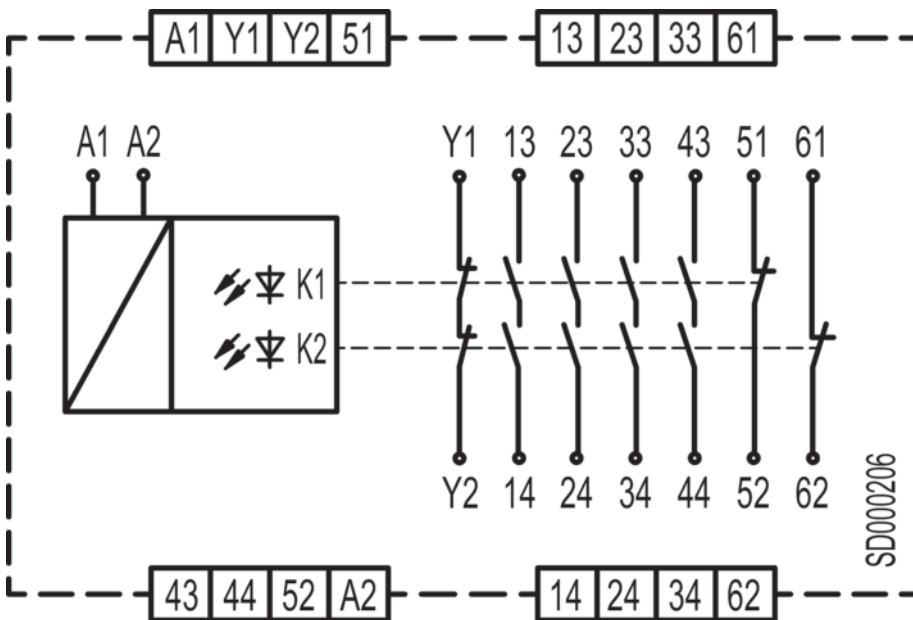
Assignment

13	Release current path 1 (NO contact)
14	Release current path 1 (NO contact)
23	Release current path 2 (NO contact)
24	Release current path 2 (NO contact)
33	Release current path 3 (NO contact)

Electrical connection

Terminal	Assignment
34	Release current path 3 (NO contact)
43	Release current path 4 (NO contact)
44	Release current path 4 (NO contact)
51	Signaling current path 1 (NC contact)
52	Signaling current path 1 (NC contact)
61	Signaling current path 2 (NC contact)
62	Signaling current path 2 (NC contact)
A1	+24 V
A2	GND
Y1	Feedback path (NC contact) for the coupling to the base device
Y2	Feedback path (NC contact) for the coupling to the base device

Circuit diagrams



Notes

⚠ Observe intended use!

- ⚠ The product may only be put into operation by competent persons.
- ⚠ Only use the product in accordance with its intended use.