

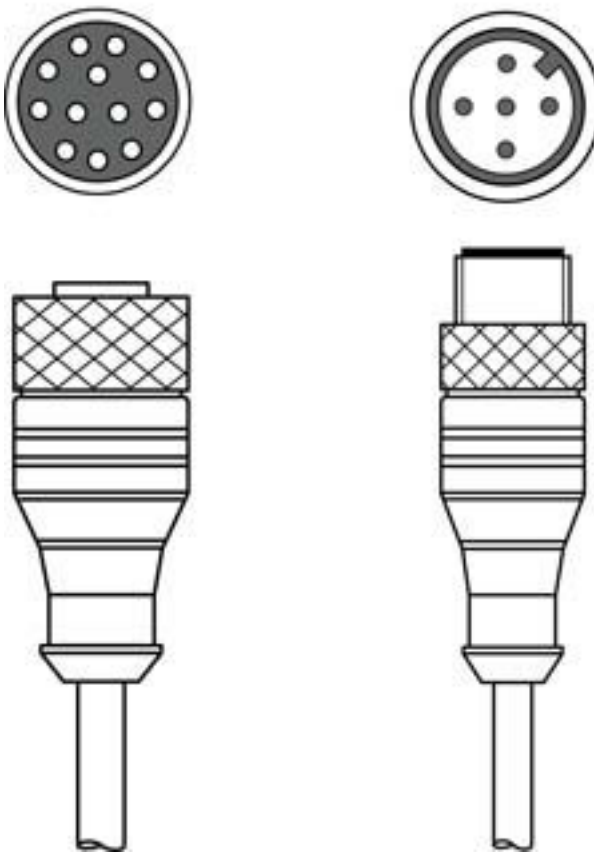
## Technical data sheet Interconnection cable

Part no.: 50148540

KDS S-12-CA-M12-5A-P1-004-78X

### Contents

- Technical data
- Electrical connection
- Circuit diagrams



For illustration purposes only

## Technical data

### Basic data

|              |           |
|--------------|-----------|
| Suitable for | DCR 1048i |
|              | IVS 1048i |

### Connection

#### Connection 1

|                    |           |
|--------------------|-----------|
| Type of connection | Connector |
| Thread size        | M12       |
| Type               | Female    |
| No. of pins        | 12 -pin   |
| Encoding           | A-coded   |
| Version            | Axial     |

#### Connection 2

|                    |           |
|--------------------|-----------|
| Type of connection | Connector |
| Thread size        | M12       |
| Type               | Male      |
| No. of pins        | 5 -pin    |
| Encoding           | A-coded   |
| Version            | Axial     |

#### Cable properties

|                             |                       |
|-----------------------------|-----------------------|
| Number of conductors        | 4 Piece(s)            |
| Sheathing color             | Black                 |
| Shielded                    | Yes                   |
| Cable design                | Interconnection cable |
| Cable length                | 200 mm                |
| Sheathing material          | PUR                   |
| Suitability for drag chains | No                    |

### Mechanical data

|            |     |
|------------|-----|
| Net weight | 9 g |
|------------|-----|

### Classification

|                       |          |
|-----------------------|----------|
| Customs tariff number | 85444290 |
| ECLASS 5.1.4          | 27279201 |
| ECLASS 8.0            | 27279218 |
| ECLASS 9.0            | 27060311 |
| ECLASS 10.0           | 27060311 |
| ECLASS 11.0           | 27060311 |
| ECLASS 12.0           | 27060311 |
| ECLASS 13.0           | 27060311 |
| ECLASS 14.0           | 27060311 |
| ECLASS 15.0           | 27060311 |
| ECLASS 16.0           | 27060311 |
| ETIM 5.0              | EC001855 |
| ETIM 6.0              | EC001855 |
| ETIM 7.0              | EC001855 |
| ETIM 8.0              | EC001855 |
| ETIM 9.0              | EC001855 |
| ETIM 10.0             | EC001855 |
| UNSPSC 26.08          | 26121604 |

## Electrical connection

### Connection 1

|                    |           |
|--------------------|-----------|
| Type of connection | Connector |
| Thread size        | M12       |
| Type               | Female    |
| No. of pins        | 12 -pin   |
| Encoding           | A-coded   |
| Version            | Axial     |

### Connection 2

|                    |           |
|--------------------|-----------|
| Type of connection | Connector |
| Thread size        | M12       |
| Type               | Male      |
| No. of pins        | 5 -pin    |
| Encoding           | A-coded   |
| Version            | Axial     |

## Circuit diagrams

### Wiring schematic

