

Technical data sheet RFID read/write device

Part no.: 50150662

RDH 242 00

Contents

- Technical data
- Dimensioned drawings
- Electrical connection
- Operation and display
- Notes
- Further information



For illustration purposes only



Technical data

Basic data

Series	RDH 200
Working frequency	13.56 MHz

Functions

Functions	Configurable operating modes
	I/O
	LED indicator
	Reading gate control

Read data

Reading/writing range, max.	120 mm
Transponder, readable	ISO/IEC 14443A/B
	ISO/IEC 15693
	NFC Types 2, 5

Electrical data

Performance data

Supply voltage U_B	18 ... 36 V, DC
Power consumption, max.	2 W
Memory access	Read/Write

Interface

Type	IO-Link
------	---------

Connection

Number of connections	1 Piece(s)
-----------------------	------------

Connection 1

Function	I/O
	IO-Link
	PWR
Type of connection	Connector
Thread size	M12

Mechanical data

Design	Cubic
Dimension (W x H x L)	99 mm x 42 mm x 68 mm
Housing material	Plastic
Net weight	120 g
Housing color	Red
	Silver
Type of fastening	Through-hole mounting

Environmental data

Ambient temperature, operation	-32 ... 60 °C
Ambient temperature, storage	-40 ... 85 °C
Relative humidity (non-condensing)	0 ... 90 %

Certifications

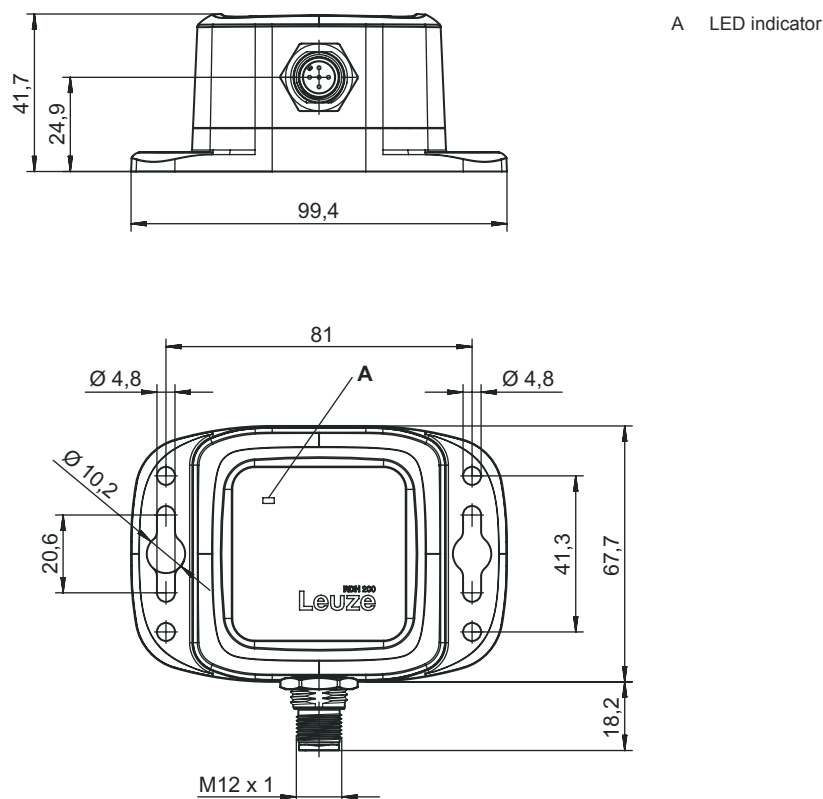
Degree of protection	IP 67
Approvals	EU

Classification

Customs tariff number	84719000
ECLASS 5.1.4	27280401
ECLASS 8.0	27280401
ECLASS 9.0	27280401
ECLASS 10.0	27280401
ECLASS 11.0	27280401
ECLASS 12.0	27280401
ECLASS 13.0	27280401
ECLASS 14.0	27280401
ECLASS 15.0	27280401
ECLASS 16.0	27280401
ETIM 5.0	EC001825
ETIM 6.0	EC002998
ETIM 7.0	EC002998
ETIM 8.0	EC002998
ETIM 9.0	EC002998
ETIM 10.0	EC002998
UNSPSC 26.08	43211710

Dimensioned drawings

All dimensions in millimeters



A LED indicator

Electrical connection

Connection 1

Function	I/O IO-Link PWR
Type of connection	Connector
Thread size	M12
Type	Male
Material	Metal
No. of pins	5 -pin
Encoding	A-coded

Operation and display

LED	Display	Meaning
1	Red, continuous light	Error / Initialization
	Green, continuous light	Operational readiness / Antenna not active
	Yellow, flashing, 4 Hz	Antenna active / Tag detected
	Yellow, continuous light	Antenna active / No tag detected
	Off	No power supply / Hardware defective

Notes



Observe intended use!



- ⌘ This product is not a safety sensor and is not intended as personnel protection.
- ⌘ The product may only be put into operation by competent persons.
- ⌘ Only use the product in accordance with its intended use.

Further information

- Under certain circumstances, metal in the reading field reduces the operating range considerably.