

## Technical data sheet Safety position switch

Part no.: 63000307

S300-P13C1-M12-CB

### Contents

- Technical data
- Dimensioned drawings
- Electrical connection
- Circuit diagrams
- Notes



For illustration purposes only



## Technical data

### Basic data

Series	S300
--------	------

### Functions

Functions	Integration in control circuits up to category 4 in accordance with EN ISO 13849-1
	Locking device without guard interlocking according to EN ISO 14119

### Characteristic parameters

Mission time $T_M$	20 years, EN ISO 13849-1
$B10_d$	40,000,000 number of cycles

### Electrical data

Usage category at DC 13	Ue 24 V, Ie 2 A, EN 60947-5-1
Usage category at AC 15	Ue 24 V, Ie 2 A, EN 60947-5-1
Contact allocation	2NC + 1NO
Contact opening	Force-fit
Short circuit protected	500 V, 2 A, type gG, IEC 60269-1
Contact protection	Protective insulation O

#### Performance data

Rated insulation voltage	30 V AC, 36 V DC
Conventional thermal current, max.	2 A

### Connection

Number of connections	1 Piece(s)
-----------------------	------------

#### Connection 1

Function	Contact connection
Type of connection	Connector
Thread size	M12
Material	Plastic
No. of pins	8 -pin

### Mechanical data

Design	Cubic
Dimension (W x H x L)	40 mm x 39 mm x 97 mm
Housing material	Plastic
Plastic housing	Glass fiber reinforced (PPS), self-extinguishing
Electrical contact material	Silver alloy
Net weight	155 g
Housing color	Black
Type of fastening	Through-hole mounting
Switch type	Interlock device without guard interlocking, ISO 14119
Switching principle	Slow-action contact
Switching direction	Both sides
	One side
Approach actuation directions	360°
	4 x side (90°)
Approach speed	Depending on actuator used
Mechanical life time	20,000,000 actuation cycles, IEC 60947-5-1 switching cycles
Actuation frequency, max.	3,600 per hour, IEC 60947-5-1
Actuator mount	Short

### Environmental data

Ambient temperature, operation	-25 ... 80 °C
Degree of contamination	3, EN 60947-1

### Certifications

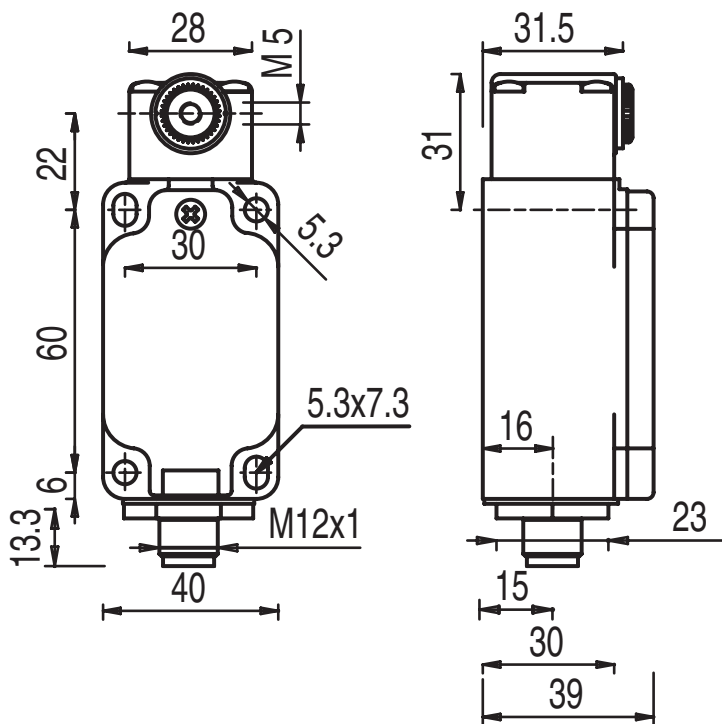
Degree of protection	IP 67
Approvals	c UL US
	IMQ

### Classification

Customs tariff number	85369095
ECLASS 5.1.4	27272601
ECLASS 8.0	27272601
ECLASS 9.0	27272601
ECLASS 10.0	27272601
ECLASS 11.0	27272601
ECLASS 12.0	27272601
ECLASS 13.0	27272601
ECLASS 14.0	27272601
ECLASS 15.0	27272601
ECLASS 16.0	27272601
ETIM 5.0	EC000030
ETIM 6.0	EC000030
ETIM 7.0	EC000030
ETIM 8.0	EC000030
ETIM 9.0	EC000030
ETIM 10.0	EC000030
UNSPSC 26.08	39122205

## Dimensioned drawings

All dimensions in millimeters



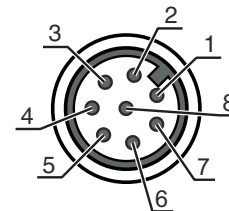
## Electrical connection

### Connection 1

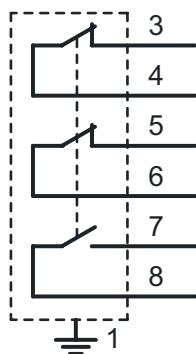
Function	Contact connection
Type of connection	Connector
Thread size	M12
Type	Male
Material	Plastic
No. of pins	8 -pin
Encoding	A-coded

### Pin Pin assignment

Pin	Pin assignment
1	n.c.
2	n.c.
3	NC(1)
4	NC(1)
5	NC(2)
6	NC(2)
7	NO(1)
8	NO(1)



## Circuit diagrams



## Notes



Observe intended use!



- ⚠ The product may only be put into operation by competent persons.
- ⚠ Only use the product in accordance with its intended use.