

Technical data sheet Mounting bracket set

Part no.: 424423

BT-2SB10-S

Contents

- Technical data
- Dimensioned drawings



For illustration purposes only

Technical data

Basic data

Contains	2x BT-SB10-S
Suitable for product group	Measuring light curtains
	Protective sensors
	Safety light curtains
	Switching light curtains
Suitable for	CML700i light curtains
	CSL 710 light curtains
	Especially for devices with large protective field height
	MLC 500, MLC 300 safety light curtains
	MLD 500, MLD 300 multiple light beam safety devices
	Single light beam safety devices MLD500

Mechanical data

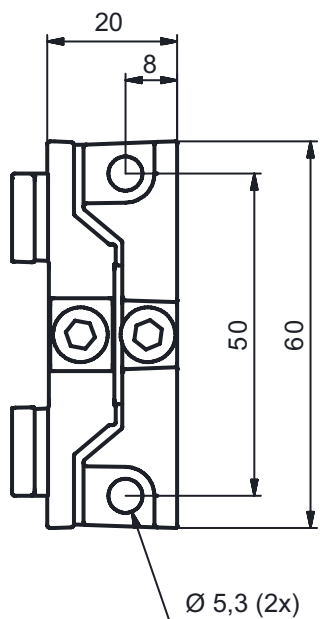
Net weight	384 g
Design of mounting device	Mounting clamp
Type of fastening, at system	Through-hole mounting
Type of fastening, at device	Clampable
	On the lateral C-groove
Type of mounting device	Swiveling with vibration damper
Swivel range	-8 ... 8 °
Mounting device material	Metal
Shock absorber	Yes

Classification

Customs tariff number	79070000
ECLASS 5.1.4	27279202
ECLASS 8.0	27279202
ECLASS 9.0	27273701
ECLASS 10.0	27273701
ECLASS 11.0	27273701
ECLASS 12.0	27273701
ECLASS 13.0	27273701
ECLASS 14.0	27273701
ECLASS 15.0	27273701
ECLASS 16.0	27273701
ETIM 5.0	EC002498
ETIM 6.0	EC003015
ETIM 7.0	EC003015
ETIM 8.0	EC003015
ETIM 9.0	EC003015
ETIM 10.0	EC003015
UNSPSC 26.08	31242100

Dimensioned drawings

All dimensions in millimeters



Dimensioned drawings

Mounting variants

