

Technical data sheet

Tower light element

Part no.: 50141868

A7-V1-DS-Y-T

Contents

- Technical data
- Dimensioned drawings
- Notes
- Accessories



For illustration purposes only



Technical data

Basic data

| | |
|-------------------|--|
| Series | A7 |
| Suitable for | Tower light elements of the A7 – Advanced Series |
| Type of signaling | Optical |

Electrical data

| | |
|---------------------------|----------------|
| Life expectancy | > 100,000 h |
| Performance data | |
| Supply voltage U_B | 24 V, DC, 10 % |
| Current consumption, max. | 50 mA |

Connection

| | |
|-------|---|
| Notes | Protected against accidental interchanges: Actuation of the colors is performed via PINS, thus, the calotte position can be freely selected (see operating instructions). The individual colors are actuated via VCC (PNP) |
|-------|---|

Mechanical data

| | |
|--------------------------------|------------------|
| Design | Cylindrical |
| Dimension (\varnothing x L) | 70 mm x 50 mm |
| Housing material | Plastic |
| Net weight | 109 g |
| Type of fastening | Bayonet system |
| Type of illuminant | LED/24V |
| Signal image | Continuous light |
| Lens color | Yellow |
| Angle of radiation | 360° |

Environmental data

| | |
|--------------------------------|---------------|
| Ambient temperature, operation | -10 ... 60 °C |
|--------------------------------|---------------|

Certifications

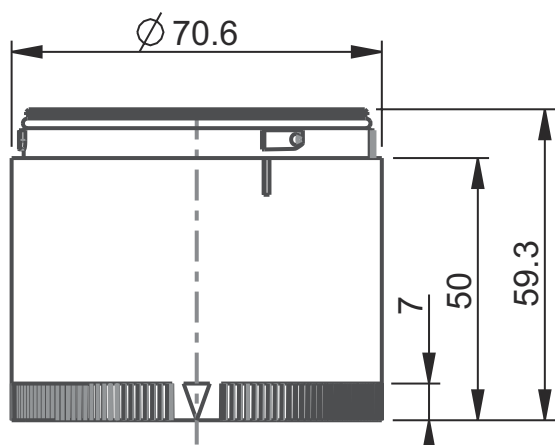
| | |
|----------------------|-----------|
| Degree of protection | IP 66 |
| Approvals | CE CSA |

Classification

| | |
|-----------------------|----------|
| Customs tariff number | 85318070 |
| ECLASS 5.1.4 | 27371220 |
| ECLASS 8.0 | 27371220 |
| ECLASS 9.0 | 27371220 |
| ECLASS 10.0 | 27371220 |
| ECLASS 11.0 | 27371220 |
| ECLASS 12.0 | 27371220 |
| ECLASS 13.0 | 27371220 |
| ECLASS 14.0 | 27371220 |
| ECLASS 15.0 | 27371220 |
| ECLASS 16.0 | 27371220 |
| ETIM 5.0 | EC000232 |
| ETIM 6.0 | EC000232 |
| ETIM 7.0 | EC000232 |
| ETIM 8.0 | EC000232 |
| ETIM 9.0 | EC000232 |
| ETIM 10.0 | EC000232 |
| UNSPSC 26.08 | 32151503 |

Dimensioned drawings

All dimensions in millimeters



Notes




Observe intended use!



- ⚠ This product is not a safety sensor and is not intended as personnel protection.
- ⚠ The product may only be put into operation by competent persons.
- ⚠ Only use the product in accordance with its intended use.

Accessories

Mounting

| | Part no. | Designation | Article | Description |
|--|----------|-------------|---------------------|---|
|  | 50135463 | A7-MP1-100 | Tower light element | Connection: Terminal, Tension spring technology Design: Cylindrical Version: Base mounting Fastening, at system: Screw type / horizontal Module holder: One side Ambient temperature: -10 ... 60 °C Degree of protection: IP 66 |

Note



- ⚠ A list with all available accessories can be found on the Leuze website in the Download tab of the article detailed page.