

## Technical data sheet Safety position switch

Part no.: 63000304

S300-M13C3-M20-CB

### Contents

- Technical data
- Dimensioned drawings
- Electrical connection
- Circuit diagrams
- Notes



For illustration purposes only



## Technical data

### Basic data

Series	S300
--------	------

### Functions

Functions	Integration in control circuits up to category 4 in accordance with EN ISO 13849-1 Locking device without guard interlocking according to EN ISO 14119
-----------	---

### Characteristic parameters

Mission time $T_M$	20 years, EN ISO 13849-1
$B10_d$	40,000,000 number of cycles

### Electrical data

Usage category at DC 13	$U_e / I_e$ : 24 V / 6 A, 125 V / 1.1 A, 250 V / 0.4 A, EN 60947-5-1
Usage category at AC 15	$U_e / I_e$ : 250 V / 6 A, 400 V / 4 A, 500 V / 1 A, EN 60947-5-1
Contact allocation	2NC + 1NO
Contact opening	Force-fit
Short circuit protected	500 V, 10 A, type aM, IEC 60269-1
Contact protection	Earthing

### Performance data

Rated insulation voltage	400 V AC, 500 V DC
Conventional thermal current, max.	10 A

### Connection

Number of connections	1 Piece(s)
Number of cable entries	3 Piece(s)

### Connection 1

Function	Contact connection
Type of connection	Terminal
Type of terminal	Screw terminal
No. of pins	6 -pin

### Cable properties

Connection cross sections	1 x 0.34 mm <sup>2</sup> to 2 x 1.5 mm <sup>2</sup> , wire
---------------------------	--

### Mechanical data

Design	Cubic
Dimension (W x H x L)	56 mm x 33 mm x 88 mm
Housing material	Metal
Metal housing	ZAMAK
Electrical contact material	Silver alloy
Net weight	263 g
Housing color	Gray
Type of fastening	Through-hole mounting
Type of cable entry	M20 x 1.5
Switch type	Interlock device without guard interlocking, ISO 14119
Switching principle	Slow-action contact
Switching direction	Both sides One side
Approach actuation directions	360° 4 x side (90°)
Approach speed	Depending on actuator used
Mechanical life time	20,000,000 actuation cycles, IEC 60947-5-1 switching cycles
Actuation frequency, max.	3,600 per hour, IEC 60947-5-1
Actuator mount	Short

### Environmental data

Ambient temperature, operation	-25 ... 80 °C
Degree of contamination	3, EN 60947-1

### Certifications

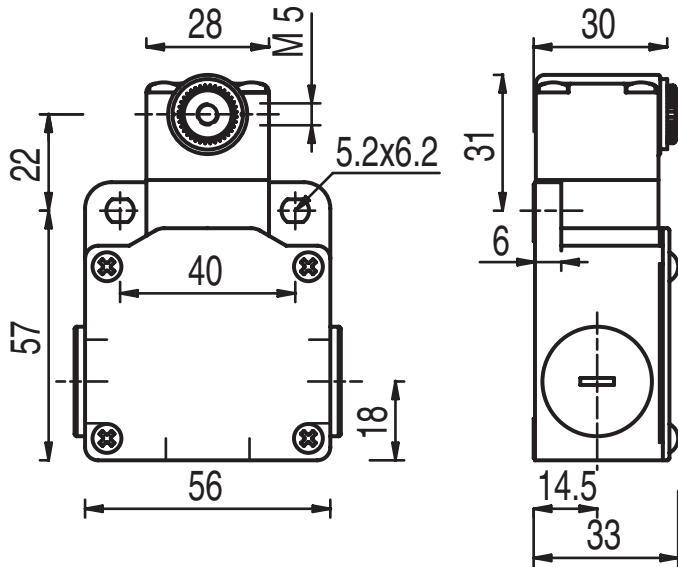
Degree of protection	IP 67
Approvals	c UL US IMQ

### Classification

Customs tariff number	85369095
ECLASS 5.1.4	27272601
ECLASS 8.0	27272601
ECLASS 9.0	27272601
ECLASS 10.0	27272601
ECLASS 11.0	27272601
ECLASS 12.0	27272601
ECLASS 13.0	27272601
ECLASS 14.0	27272601
ECLASS 15.0	27272601
ECLASS 16.0	27272601
ETIM 5.0	EC000030
ETIM 6.0	EC000030
ETIM 7.0	EC000030
ETIM 8.0	EC000030
ETIM 9.0	EC000030
ETIM 10.0	EC000030
UNSPSC 26.08	39122205

## Dimensioned drawings

All dimensions in millimeters



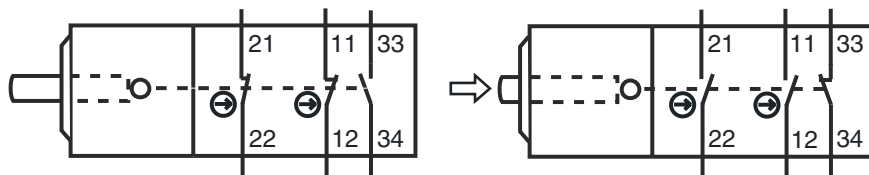
## Electrical connection

### Connection 1

Function	Contact connection
Type of connection	Terminal
Type of terminal	Screw terminal
No. of pins	6 -pin

Terminal	Assignment
11	NC(1)
12	NC(1)
21	NC(2)
22	NC(2)
33	NO(1)
34	NO(1)

## Circuit diagrams



## Notes



### Observe intended use!



- ↪ The product may only be put into operation by competent persons.
- ↪ Only use the product in accordance with its intended use.