

## Technical data sheet

### Mounting bracket

Part no.: 50009419

BT 910M

#### Contents

- Technical data
- Dimensioned drawings
- Accessories



For illustration purposes only

# Technical data

## Basic data

Suitable for product group	Reflectors
----------------------------	------------

## Mechanical data

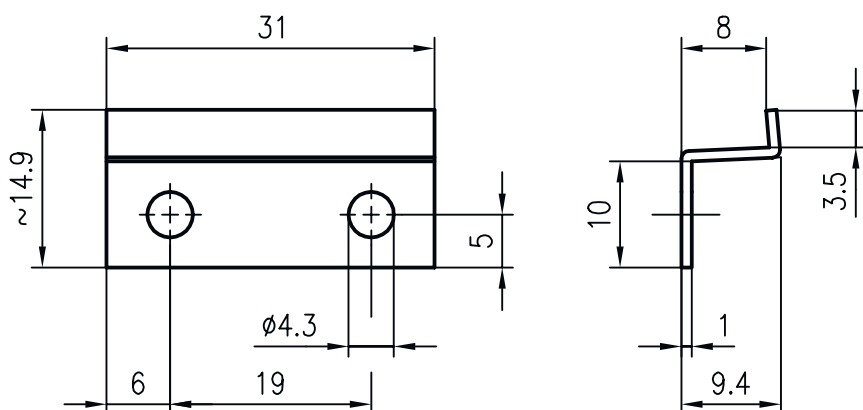
Standard designation, metal mounting device	Aluminum
Design of mounting device	Angle, L-shape
Type of fastening, at system	Through-hole mounting
Type of fastening, at device	Screw type
Type of mounting device	Rigid
Mounting device material	Metal

## Classification

Customs tariff number	73182900
ECLASS 5.1.4	27279202
ECLASS 8.0	27279202
ECLASS 9.0	27273701
ECLASS 10.0	27273701
ECLASS 11.0	27273701
ECLASS 12.0	27273701
ECLASS 13.0	27273701
ECLASS 14.0	27273701
ECLASS 15.0	27273701
ETIM 5.0	EC002498
ETIM 6.0	EC003015
ETIM 7.0	EC003015
ETIM 8.0	EC003015
ETIM 9.0	EC003015
ETIM 10.0	EC003015




# Dimensioned drawings

All dimensions in millimeters



## Accessories

### Standard reflectors

	Part no.	Designation	Article	Description
	50003192	TK 100x100	Reflector	Design: Rectangular Triple reflector size: 4 mm Reflective surface: 96 mm x 96 mm Material: Plastic Base material: Plastic Chemical designation of the material: PMMA8N Fastening: Rear side can be glued
	50022811	TK 40X180.1	Reflector	Design: Rectangular Triple reflector size: 3 mm Reflective surface: 36 mm x 176 mm Material: Plastic Base material: Plastic Chemical designation of the material: PMMA8N Fastening: Rear side can be glued
	50003191	TK 50x100	Reflector	Design: Rectangular Triple reflector size: 4 mm Reflective surface: 46 mm x 96 mm Material: Plastic Base material: Plastic Chemical designation of the material: PMMA8N Fastening: Rear side can be glued

#### Note



A list with all available accessories can be found on the Leuze website in the Download tab of the article detailed page.