

Technical data sheet

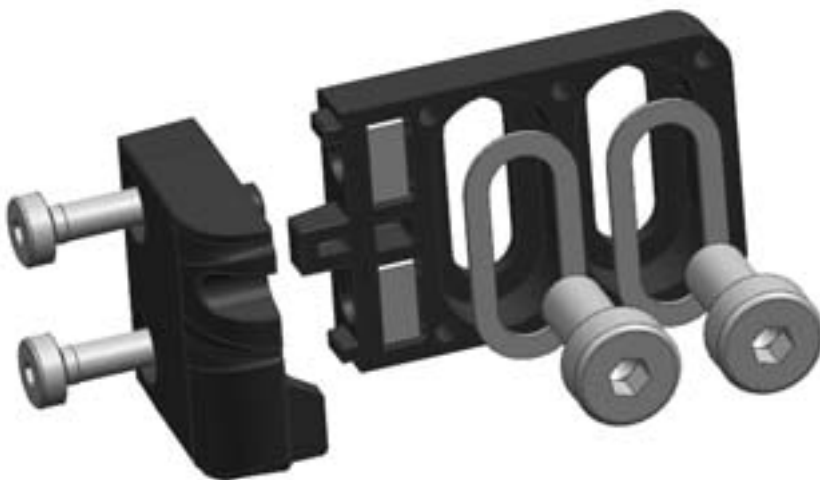
Mounting device

Part no.: 424441

BT-MLC-S-L

Contents

- Technical data
- Dimensioned drawings



For illustration purposes only

Technical data

Basic data

Suitable for product group	Safety light curtains
Suitable for	MLC 520S safety light curtains

Mechanical data

Net weight	21 g
Type of fastening, at system	Screw type
Type of fastening, at device	Clampable
Type of mounting device	L-shaped mounting bracket
Mounting device material	Plastic
Shock absorber	No

Classification

Customs tariff number	39269097
ECLASS 5.1.4	27279202
ECLASS 8.0	27279202
ECLASS 9.0	27273701
ECLASS 10.0	27273701
ECLASS 11.0	27273701
ECLASS 12.0	27273701
ECLASS 13.0	27273701
ECLASS 14.0	27273701
ECLASS 15.0	27273701
ECLASS 16.0	27273701
ETIM 5.0	EC002498
ETIM 6.0	EC003015
ETIM 7.0	EC003015
ETIM 8.0	EC003015
ETIM 9.0	EC003015
ETIM 10.0	EC003015
UNSPSC 26.08	31242100

Dimensioned drawings

All dimensions in millimeters

