

## Technical data sheet

### Safety switch

Part no.: 63000203

S200-M4C1-M12

#### Contents

- Technical data
- Dimensioned drawings
- Electrical connection
- Circuit diagrams



For illustration purposes only



## Technical data

### Basic data

Series	S200
--------	------

### Functions

Functions	Integration in control circuits up to category 4 in accordance with EN ISO 13849-1 Mechanically coded interlock device of type 2 acc. to EN ISO 14119
-----------	--

### Characteristic parameters

SIL	3, IEC 61508
SILCL	3, IEC/EN 62061
Performance Level (PL)	Up to and including e, EN ISO 13849-1
Mission time $T_M$	20 years, EN ISO 13849-1
$B10_d$	2,000,000 number of cycles

### Electrical data

Usage category at DC 13	Ue 24 V, Ie 2 A, EN 60947-5-1
Usage category at AC 15	Ue 24 V, Ie 2 A, EN 60947-5-1
Contact allocation	2NC + 1NO
Contact opening	Force-fit
Short circuit protected	500 V, 2 A, type gG, IEC 60269-1
Contact protection	Earthing

### Performance data

Rated insulation voltage	30 V AC, 36 V DC
Conventional thermal current, max.	2 A

### Connection

Number of connections	1 Piece(s)
-----------------------	------------

### Connection 1

Function	Contact connection
Type of connection	Connector
Thread size	M12
Material	Metal
No. of pins	8 -pin

### Mechanical data

Design	Cubic
Dimension (W x H x L)	40 mm x 38 mm x 109.5 mm
Housing material	Metal
Metal housing	ZAMAK
Electrical contact material	Silver alloy
Net weight	310 g
Housing color	Gray Red
Type of fastening	Through-hole mounting
Switch type	Interlock device without guard interlocking, ISO 14119
Switching principle	Slow-action contact
Approach actuation directions	1 x top 4 x side (90°)
Approach speed	0 ... 0.5 m/s
Mechanical life time	1,000,000 actuation cycles, IEC 6047-5-1
Actuation frequency, max.	3,600 per hour, IEC 6047-5-1
External actuator	AC-AHxx, series, straight, angled, resilient, alignable
Extraction force, unlocked actuator	10 N
Actuating path with forced separation	8.8 mm
Recoil tolerance	4.5 mm

### Environmental data

Ambient temperature, operation	-25 ... 80 °C
Degree of contamination, external	3, EN 60947-1

### Certifications

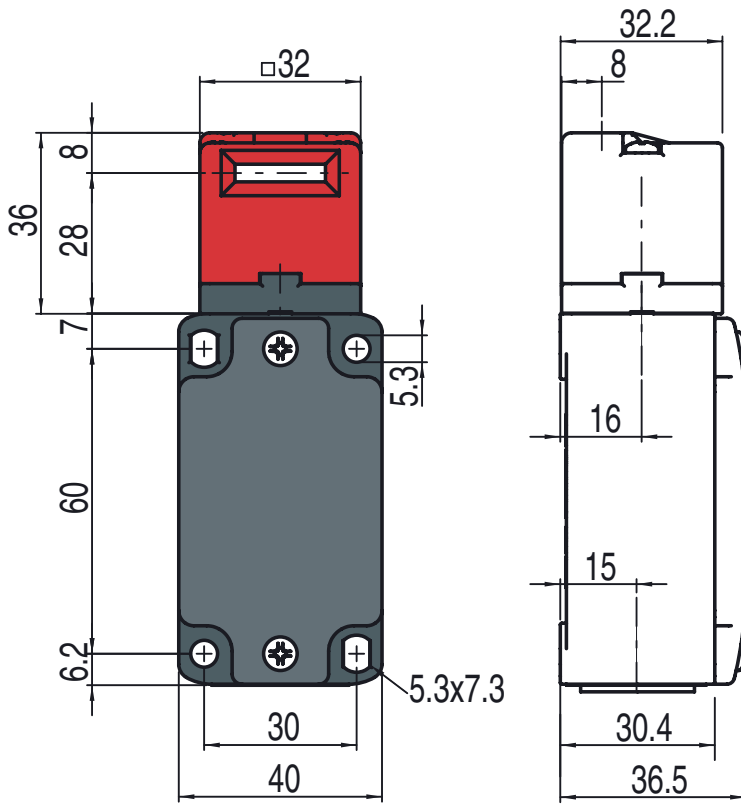
Degree of protection	IP 67
Approvals	c UL US IMQ

### Classification

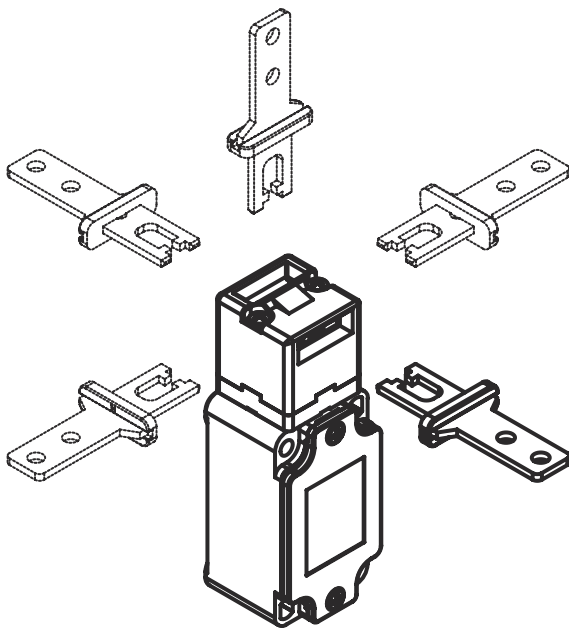
Customs tariff number	85369095
ECLASS 5.1.4	27272602
ECLASS 8.0	27272602
ECLASS 9.0	27272602
ECLASS 10.0	27272602
ECLASS 11.0	27272602
ECLASS 12.0	27272602
ECLASS 13.0	27272602
ECLASS 14.0	27272602
ECLASS 15.0	27272602
ECLASS 16.0	27272602
ETIM 5.0	EC002592
ETIM 6.0	EC002592
ETIM 7.0	EC002592
ETIM 8.0	EC002592
ETIM 9.0	EC002592
ETIM 10.0	EC002592
UNSPSC 26.08	39122205

## Dimensioned drawings

All dimensions in millimeters



## Approach directions



# Electrical connection

## Connection 1

Function	Contact connection
Type of connection	Connector
Thread size	M12
Type	Male
Material	Metal
No. of pins	8 -pin
Encoding	A-coded

Pin	Pin assignment
1	GND
2	n.c.
3	NC(1)
4	NC(1)
5	NC(2)
6	NC(2)
7	NO(1)
8	NO(1)



## Circuit diagrams

