

Technical data sheet

Connector hood

Part no.: 50150597

MS 342

Contents

- Technical data
- Dimensioned drawings
- Electrical connection
- Operation and display



For illustration purposes only



Technical data

Basic data

| | |
|--------------|----------|
| Suitable for | BCL 300i |
|--------------|----------|

Electrical data

Performance data

| | |
|-------------------------------|----------------------------------|
| Supply voltage U _B | 18 ... 30 V, DC, (PELV, class 2) |
|-------------------------------|----------------------------------|

Interface

| | |
|------|---------|
| Type | IO-Link |
|------|---------|

IO-Link

| | |
|------------------|---------|
| COM mode | COM3 |
| Min. cycle time | 2 ms |
| Port type | A |
| Specification | V1.2 |
| Device ID | 5201 |
| Process data IN | 1 byte |
| Process data OUT | 32 byte |

Service interface

| | |
|------|---------|
| Type | USB 2.0 |
|------|---------|

Connection

| | |
|-----------------------|------------|
| Number of connections | 1 Piece(s) |
|-----------------------|------------|

Connection 1

| | |
|--------------------|-----------|
| Function | IO-Link |
| Type of connection | Connector |
| Thread size | M12 |
| Type | Male |
| Material | Metal |
| No. of pins | 5 -pin |
| Encoding | A-coded |

Connection 2

| | |
|--------------------|-------------------|
| Function | Service interface |
| Type of connection | USB |
| Connector type | USB 2.0 Mini-B |

Connection 3

| | |
|--------------------|-----------|
| Function | n.c. |
| Type of connection | Connector |

Connection 4

| | |
|--------------------|---------------------|
| Function | FE Functional Earth |
| Type of connection | Connector |

Mechanical data

| | |
|-----------------------|---------------------------|
| Design | Cubic |
| Dimension (W x H x L) | 64 mm x 33.5 mm x 43.5 mm |
| Housing material | Metal |
| Metal housing | Diecast aluminum |
| Net weight | 230 g |
| Housing color | Red |

Operation and display

| | |
|-----------------|------------|
| Type of display | LED |
| Number of LEDs | 2 Piece(s) |

Environmental data

| | |
|------------------------------------|-------------|
| Ambient temperature, storage | 0 ... 40 °C |
| Relative humidity (non-condensing) | 90 % |

Certifications

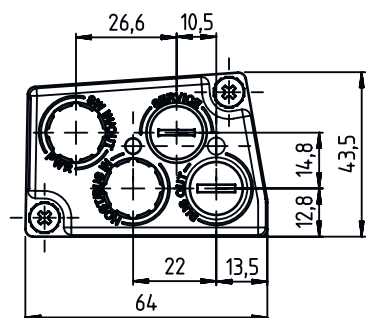
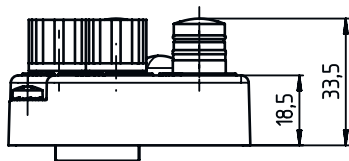
| | |
|---|--|
| Degree of protection | IP 65, Only for screwed M12 plugs or screwed cable glands and mounted caps. Minimum tightening torque of the housing connecting screw of the connection hood is 1.4Nm! |
| Protection class | III |
| Test procedure for EMC in accordance with standard | EN 61000-6-2 |
| Test procedure for shock in accordance with standard | IEC 60068-2-27, test Ea |
| Test procedure for continuous shock in accordance with standard | IEC 60068-2-27, test Ea |
| Test procedure for vibration in accordance with standard | IEC 60068-2-6, test Fc |

Classification

| | |
|-----------------------|----------|
| Customs tariff number | 84719000 |
| ECLASS 5.1.4 | 27280190 |
| ECLASS 8.0 | 27280190 |
| ECLASS 9.0 | 27279090 |
| ECLASS 10.0 | 27280192 |
| ECLASS 11.0 | 27280191 |
| ECLASS 12.0 | 27280191 |
| ECLASS 13.0 | 27280191 |
| ECLASS 14.0 | 27280191 |
| ECLASS 15.0 | 27280191 |
| ECLASS 16.0 | 27280191 |
| ETIM 5.0 | EC002498 |
| ETIM 6.0 | EC003015 |
| ETIM 7.0 | EC003015 |
| ETIM 8.0 | EC003015 |
| ETIM 9.0 | EC003015 |
| ETIM 10.0 | EC003015 |
| UNSPSC 26.08 | 31242100 |

Dimensioned drawings

All dimensions in millimeters



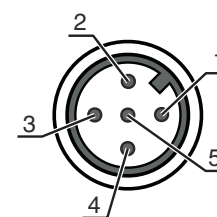
Electrical connection

Connection 1

| | |
|--------------------|-----------|
| Function | IO-Link |
| Type of connection | Connector |
| Thread size | M12 |
| Type | Male |
| Material | Metal |
| No. of pins | 5 -pin |
| Encoding | A-coded |

| Pin | Pin assignment |
|-----|----------------|
|-----|----------------|

| | |
|---|----------|
| 1 | L+ (VIN) |
| 2 | I/Q |
| 3 | L- (GND) |
| 4 | C/Q |
| 5 | Reserved |

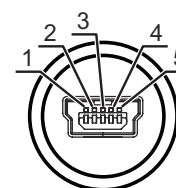


Connection 2

| | |
|--------------------|-------------------|
| Function | Service interface |
| Type of connection | USB |
| Connector type | USB 2.0 Mini-B |

| Pin | Pin assignment |
|-----|----------------|
|-----|----------------|

| | |
|---|-----|
| 1 | VB |
| 2 | D- |
| 3 | D+ |
| 4 | ID |
| 5 | GND |



Electrical connection

Connection 3

| | |
|--------------------|-----------|
| Function | n.c. |
| Type of connection | Connector |

Connection 4

| | |
|--------------------|---------------------|
| Function | FE Functional Earth |
| Type of connection | Connector |

Operation and display

| LED | Display | Meaning |
|-----|--------------------------|---|
| 1 | Green, continuous light | BCL and MS ready for operation |
| | Green, flashing | Device initialization, BCL and MS not ready for operation |
| 2 | Yellow, continuous light | MS 342 communicating with the master via IO-Link |
| | Yellow, flashing | MS 342 ready for IO-Link communication, no connection to the master |