

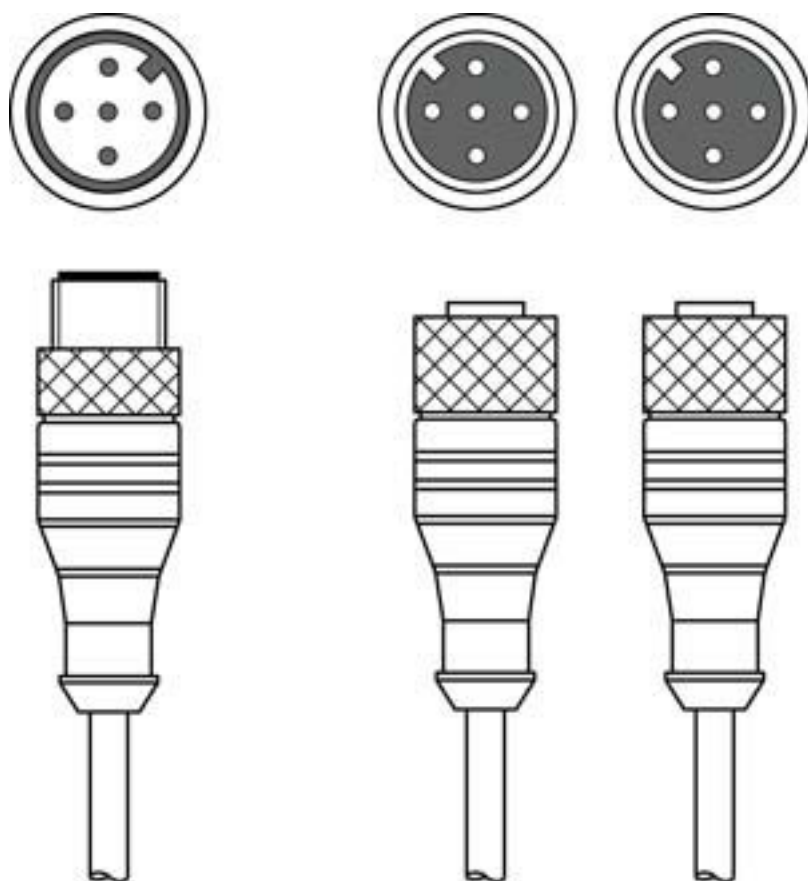
Technical data sheet Interconnection cable

Part no.: 50136275

KY-S-SDD-25A25A24A-100-P1-X01

Contents

- Technical data
- Electrical connection
- Circuit diagrams
- Accessories



For illustration purposes only



Technical data

Connection

Connection 1

Type of connection	Connector
Thread size	M12
Type	Male
Handle body material	PUR
Handle body color	Black
No. of pins	5 -pin
Encoding	A-coded
Version	Axial

Connection 2

Type of connection	Connector
Thread size	M12
Type	Female
Handle body material	PUR
Handle body color	Black
No. of pins	5 -pin
Encoding	A-coded
Version	Axial

Connection 3

Type of connection	Connector
Thread size	M12
Type	Female
Handle body material	PUR
No. of pins	5 -pin
Encoding	A-coded
Version	Axial
Handle body color	Black
Bridged	Pin 1 <-> Pin 4

Cable properties

Number of conductors	4 Piece(s)
Wire cross section	3 x 0.34 mm ² 4 x 0.34 mm ²
AWG	22
Sheathing color	Black
Shielded	Yes
Silicone-free	Yes
Cable design	Distribution cable
Cable diameter (external)	5 mm
Cable length	500 mm
Cable length fork 1	750 mm
Cable length fork 2	10,000 mm
Sheathing material	PUR
Wire insulation	PP
Suitability for drag chains	Yes
Traverse rate	Max. 3.3 m/s with horiz. traverse path of 5m and and max. acceleration of 5m/s ²
Properties of the outer sheathing	Free of CFC, cadmium, silicone, halogen and lead, matt, low-adhesion, abrasion-resistant, easily machine-processable
Resistance of the outer sheathing	Hydrolysis and microbe resistant, good oil, gasoline and chemical resistance in accordance with VDE 0472 part 803 test B, flame retardant in accordance with UL 1581 VW1 / CSA FT1 / IEC 60332-1, IEC 60332-2-2
Torsion suitability	±30° / m (max. 2 mio. cycles with 35 cycles / min)

Mechanical data

Width across flats	13 mm
Net weight	396 g
Bending cycles	5,000,000 Piece(s)
Bending radius, flexible laying, min.	Min. 10 x cable diameter
Bending radius, stationary laying, min.	Min. 5 x cable diameter

Environmental data

Ambient temperature, operation	-25 ... 80 °C
--------------------------------	---------------

Certifications

Degree of protection	IP 67
----------------------	-------

Classification

Customs tariff number	85444290
ECLASS 5.1.4	27279201
ECLASS 8.0	27279218
ECLASS 9.0	27060311
ECLASS 10.0	27060311
ECLASS 11.0	27060311
ECLASS 12.0	27060311
ECLASS 13.0	27060311
ECLASS 14.0	27060311
ECLASS 15.0	27060311
ECLASS 16.0	27060311
ETIM 5.0	EC001855
ETIM 6.0	EC001855
ETIM 7.0	EC001855
ETIM 8.0	EC001855
ETIM 9.0	EC001855
ETIM 10.0	EC001855
UNSPSC 26.08	26121604

Electrical connection

Connection 1

Type of connection	Connector
Thread size	M12
Type	Male
Handle body material	PUR
Handle body color	Black
No. of pins	5 -pin
Encoding	A-coded
Version	Axial

Connection 2

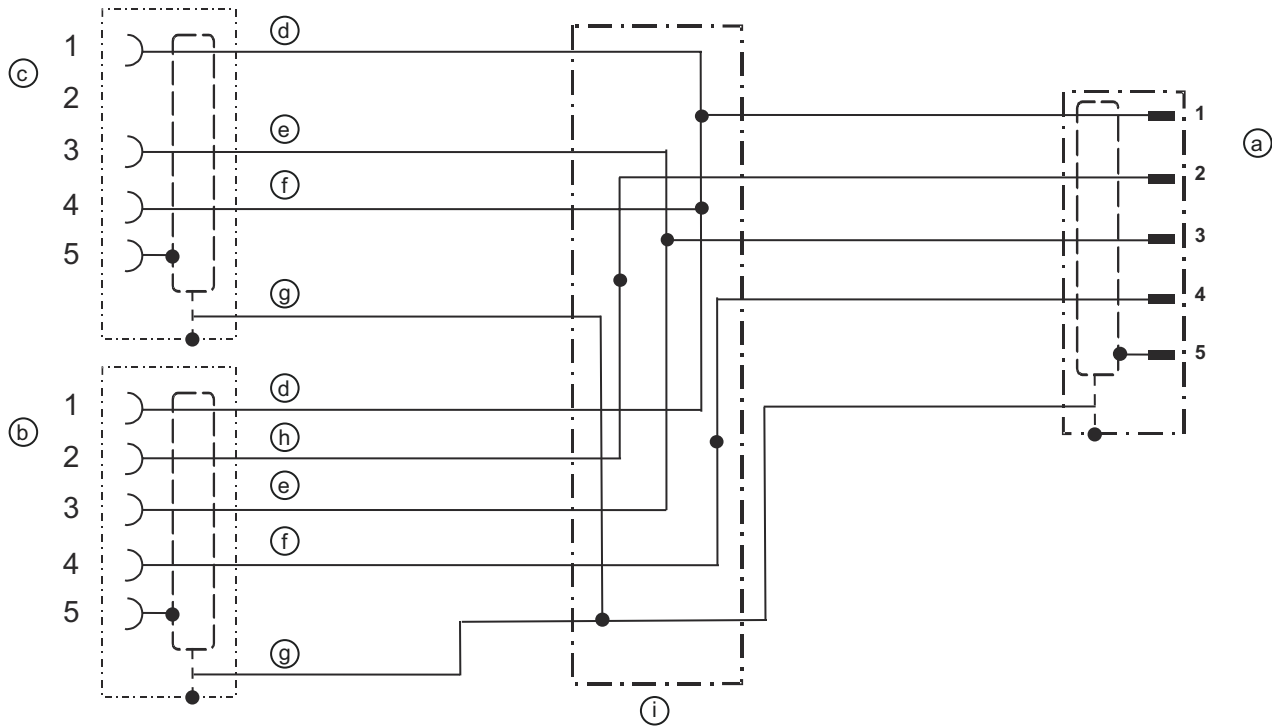
Type of connection	Connector
Thread size	M12
Type	Female
Handle body material	PUR
Handle body color	Black
No. of pins	5 -pin
Encoding	A-coded
Version	Axial

Connection 3

Type of connection	Connector
Thread size	M12
Type	Female
Handle body material	PUR
No. of pins	5 -pin
Encoding	A-coded
Version	Axial
Handle body color	Black
Bridged	Pin 1 <-> Pin 4

Circuit diagrams

Connection diagram



- | | | |
|------------------|--------------|---------------|
| a Connector, M12 | d Brown wire | g Shielded |
| b Socket, M12 | e Blue wire | h White wire |
| c Socket, M12 | f Black wire | i T-connector |

Accessories

General

	Part no.	Designation	Article	Description
	50132266	TT-Set 0,6-13	Tool	Type: Torque key Width across flats: 13 mm Torque: 0,6 N·m Material: Plastic, Stainless steel Ambient temperature: -40 ... 120 °C

Note



A list with all available accessories can be found on the Leuze website in the Download tab of the article detailed page.