

Technical data sheet

Cover hood

Part no.: 50148551

AC IVS 1048-Fokus

Contents

- Technical data
- Dimensioned drawings



For illustration purposes only

Technical data

Basic data

Type	Cover hood as adjustment tool for focus position
Suitable for	IVS 1000i & DCR 1000i

Optical data

Note	The cover hood cannot be used with the lens Lens-S-M12-4F4 and Lens-S-M12-4F8. The degree of protection of the sensor without cover hood is IP40.
------	---

Mechanical data

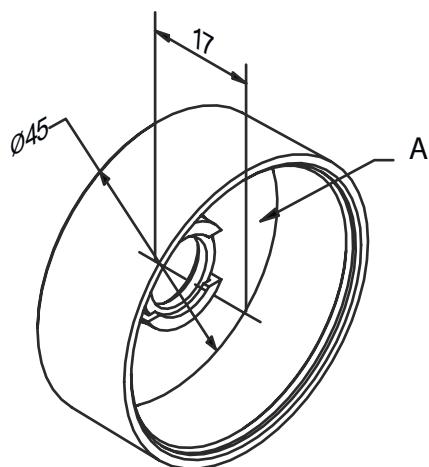
Design	Ring
Thickness	17 mm
Outer diameter	45 mm
Net weight	12 g
Material	PMMA (lens cover)
	PVAL (optical film)

Classification

Customs tariff number	90022000
ECLASS 5.1.4	27310203
ECLASS 8.0	27310203
ECLASS 9.0	27310203
ECLASS 10.0	27273603
ECLASS 11.0	27273603
ECLASS 12.0	27273603
ECLASS 13.0	27273603
ECLASS 14.0	27273603
ECLASS 15.0	27273603
ECLASS 16.0	27273603
ETIM 5.0	EC002498
ETIM 6.0	EC003015
ETIM 7.0	EC003015
ETIM 8.0	EC003015
ETIM 9.0	EC003015
ETIM 10.0	EC003015
UNSPSC 26.08	31241501

Dimensioned drawings

All dimensions in millimeters



NOTE Cover hood for easy focus adjustment and for lens change. Please remove after use and reattach the original cap.

A Diffusor film